

pottery barn kids

NEWBURY HEADBOARD

(TWIN / FULL / QUEEN)

PRE-ASSEMBLY:

- Remove all parts and hardware from the box and lay out on a clear carpeted or scratch-free work surface. (The shipping box provides an ideal work surface), this will avoid damaging any parts during assembly. Do not dispose of any contents until assembly is completed to avoid accidentally discarding small parts or hardware.
- Two people recommended for ease of assembly.
- Use the parts and hardware lists to identify and separate each of the pieces included prior to starting assembly.
- The illustrations provided allow for easier assembly when used in conjunction with the assembly instructions.
- Note: Do not fully tighten all bolts until all parts are in place. Failure to follow these instructions may cause the bolts to misalign during assembly.
- If using power tools to aid in assembly please use caution. Power tools can damage hardware or split wood.

PARTS INCLUDED:

(1) Headboard

HARDWARE INCLUDED:

(6) Allen Bolts (A)

(6) Nut (B)

(12) Flat Washer (C)

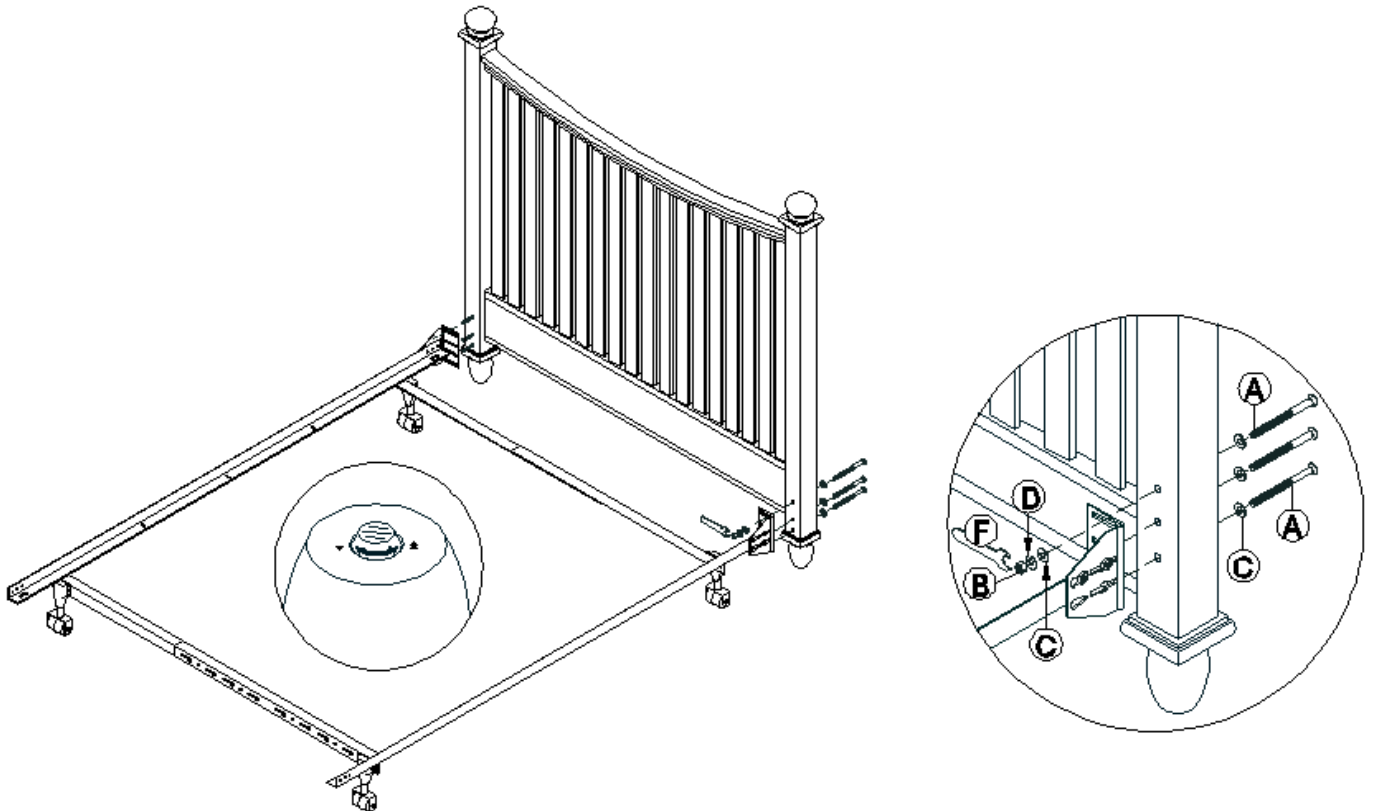
(6) Spring washer (D)

(1) Allen key (E)

(1) Wrench (F)

ASSEMBLY

1. Hold headboard upright and tilted slightly towards the faceplates of the pre-assembled bed frame.
2. Align the slot in the faceplate with the pre-drilled holes in the legs of the headboard.
3. Place first a Flat washer (C) over a Allen Bolt (A).
4. Insert an (A) Allen Bolts through back side of Headboard as shown.
5. As the (A) Allen screw exits the leg and enters the corresponding slot in the faceplate. Add a Flat Washer, then a Spring Washer (D) and a finally a Nut (B). Repeat for all pre-drilled holes.
6. Tighten (B) Nuts by using enclosed (E) Allen key and (F) wrench. Periodically tighten all connections.



Thank you for your purchase.
stores | catalog | www.potterybarnkids.com