

# pottery barn kids

## LOGAN SLEIGH TWIN / FULL BED

### PRE-ASSEMBLY:

- For safety and ease, assembly by two adults is recommended.
- Remove all parts and hardware from the box and lay out on a clean, carpeted, or scratch-free work surface. Use care as some parts or hardware may have sharp points or edges.
- Do not dispose of any contents until assembly is completed to avoid accidentally discarding small parts or hardware.
- Use the parts and hardware lists to identify and separate each of the pieces included.
- Read all instructions before beginning assembly. The illustrations provided allow for easier assembly when used in conjunction with the assembly instructions.
- If using power tools to aid in assembly, please use caution. Power tools can damage hardware or split wood.

### PARTS INCLUDED (Box #1):

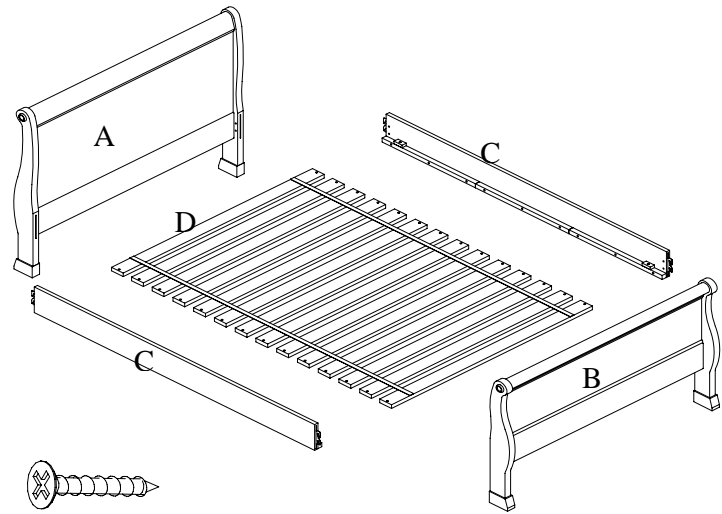
(A) Headboard - 1pc

(B) Footboard - 1pc

### PARTS INCLUDED (Box #2):

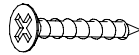
(C) Side rail - 2pcs

(D) Slat roll - 1set



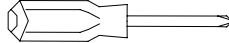
### HARDWARE ENCLOSED (Box #2):

(E) #8 x 25mm Phillips Head Screw - 28pcs



### TOOLS REQUIRED:

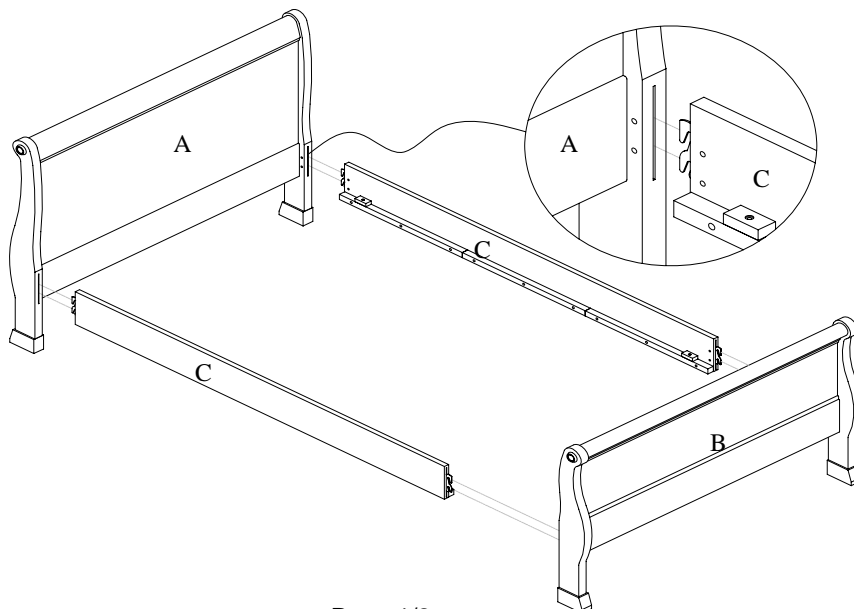
Phillips Head Screwdriver (not included)



### ASSEMBLY INSTRUCTIONS:

1) Attach the Siderails (C) to the Headboard (A) and Footboard (B) by inserting the hooked ends into the corresponding slots, as shown in Figure 1. Ensure that the connections are secure,

Figure 1



**NOTE:** Side rails have (2) settings:

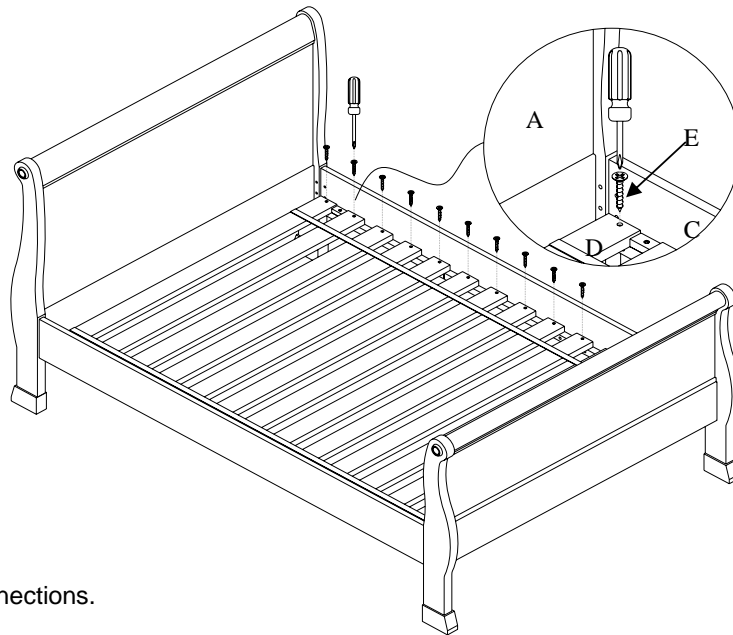
Use the higher setting if not using a box spring mattress and/of if a trundle will be used with the bed.

Use the lower setting if using a mattress & box spring. We recommend a box spring if you want to use a bed skirt/box spring cover or add height to the bed.

Our beds *do not* require a box spring at either setting since they include a slat roll foundation system, but one may be used.

2) Lay Slat Roll (D) in place onto the inner ledges of the Siderails (C). Attach Slats Roll (D) by inserting the Phillips Head screws (E) through the pre-drilled end holes and tightening with Phillips Head Screwdriver (not included), as shown in Figure 2.

Figure 2



3) Periodically tighten all connections.

**CARE INSTRUCTIONS:**

- Clean periodically using a soft dry or slightly damp cloth.
- To protect the finish always avoid the use of chemical and abrasive cleansers.

Thank you for your purchase  
stores | catalog | [www.potterybarnkids.com](http://www.potterybarnkids.com)  
USA 1.800.290.8181

