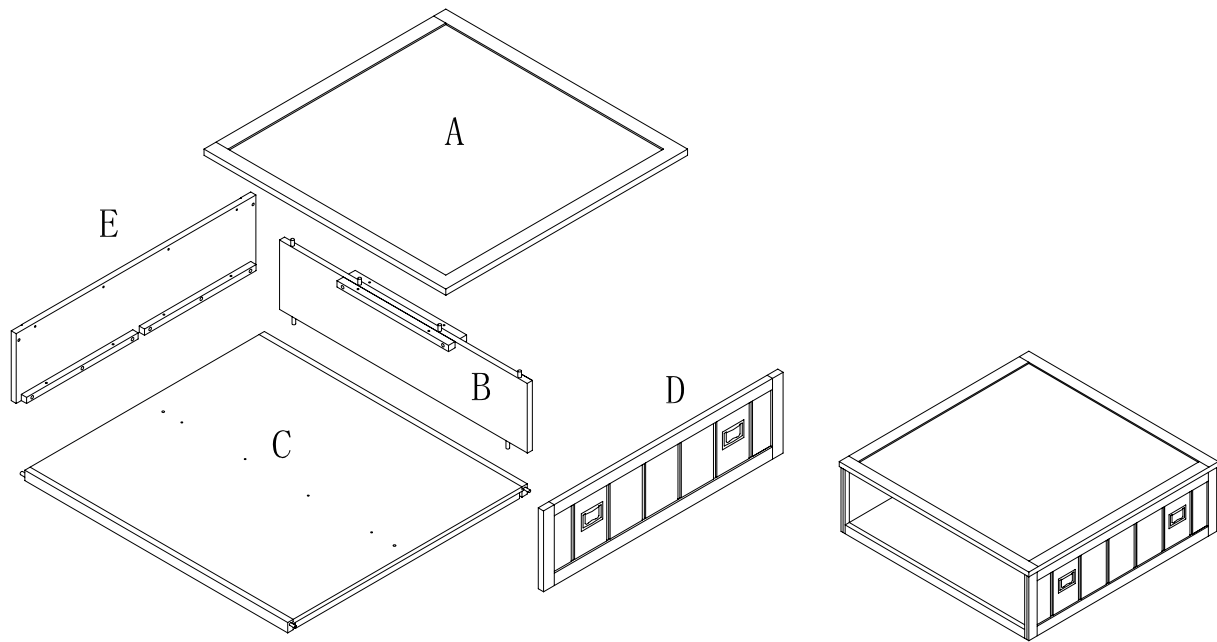


pottery barn kids

RILEY TRUNDLE ACTIVITY CART

PRE-ASSEMBLY:

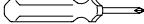
- Read all instructions before beginning assembly. The illustrations provided allow for easier assembly when used in conjunction with the assembly instructions.
- For your safety and ease, assembly by two adults is recommended.
- Remove all parts and hardware from the box and lay out on a clean, carpeted, or scratch-free work surface. Use care as some parts or hardware may have sharp points or edges.
- Do not dispose of any contents until assembly is completed to avoid accidentally discarding small parts or hardware.
- Use the parts and hardware lists to identify and separate each of the pieces included.
- Note: Do not fully tighten all bolts until all parts are in place. Failure to follow these instructions may cause the bolts to misalign during assembly.
- The use of power tools for assembly is not recommended. Power tools can damage hardware or split wood.




PARTS INCLUDED:

- (A) Top Chalk Panel – 1pc
- (B) Center Divider – 1pc
- (C) Bottom Panel – 1pc
- (D) Front Panel – 1pc
- (E) Rear Panel – 1pc

TOOLS REQUIRED:

Philips Screwdriver (Not included) 

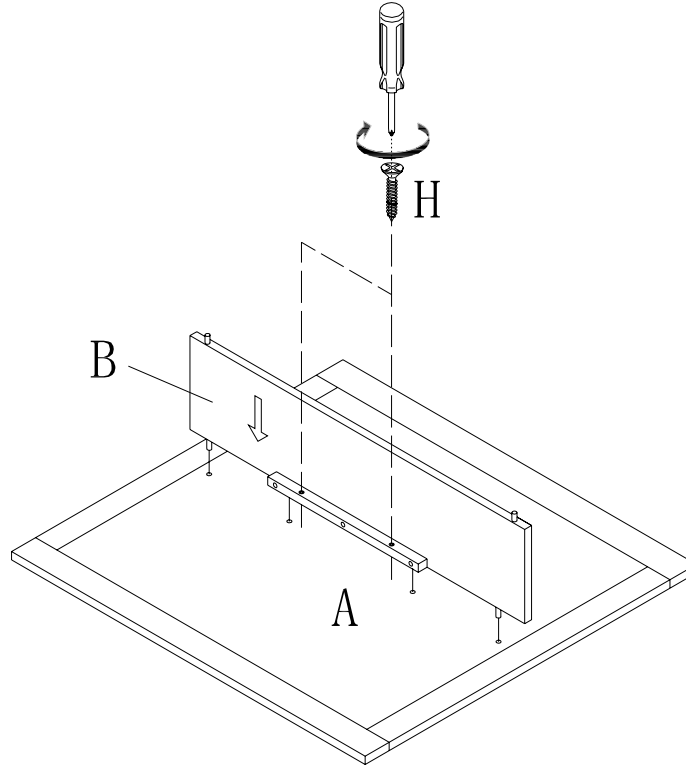
HARDWARE INCLUDED:

 (F) Caster – 5pcs	 (G) Short Wood Screw 3.5 x 12mm – 20pcs	 (H) Long Wood Screw 4 x 30mm – 24pcs
---	---	--

ASSEMBLY INSTRUCTIONS:

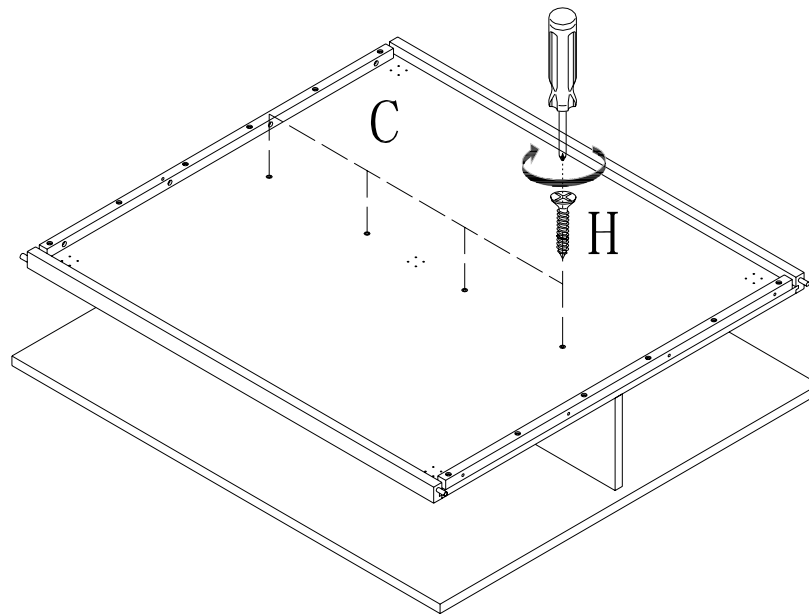
1. Place the Top Chalk Panel (A) upside down on a soft, carpeted work place. Align wooden dowels on the Center Divider (B) to the pre-drilled holes on bottom of the Top Chalk Panel (A). Insert (4) Long Wood Screws (H) into the pre-drilled holes on cleats to secure the Center Divider (B) to the Top Chalk Panel (A). Tighten using Philips Screwdriver (not included). (Figure 1).

Figure 1.



2. To attach the Bottom Panel (C) to the Center Divider (B), align the wooden dowels on the Center Divider (B) to the pre-drilled holes on the Bottom Panel (C). Insert (4) Long Wood Screws (H) into Bottom Panel (C) to secure it to the Center Divider (B), and tighten using Phillips Screwdriver (not included). Do not over tighten.

Figure 2.



3. Align the pre-drilled holes on the Front/Rear Panels (D&E) to the wooden dowels on the Bottom Panel (C). Insert (8) Long Wood Screws (H) through the Bottom Panel (C) and into the Front/Rear Panels (D& E). Tighten using Phillips Head Screwdriver. (Figure 3, next page)

4. Attach Front/Rear Panels (D&E) to the Top Chalk Panel (A) with (8) Long Wood Screws (H) from interior of the Storage Cart. (Figure 4) Tighten all connections using Philips Screwdriver (not included). (Figure 3 and 4)

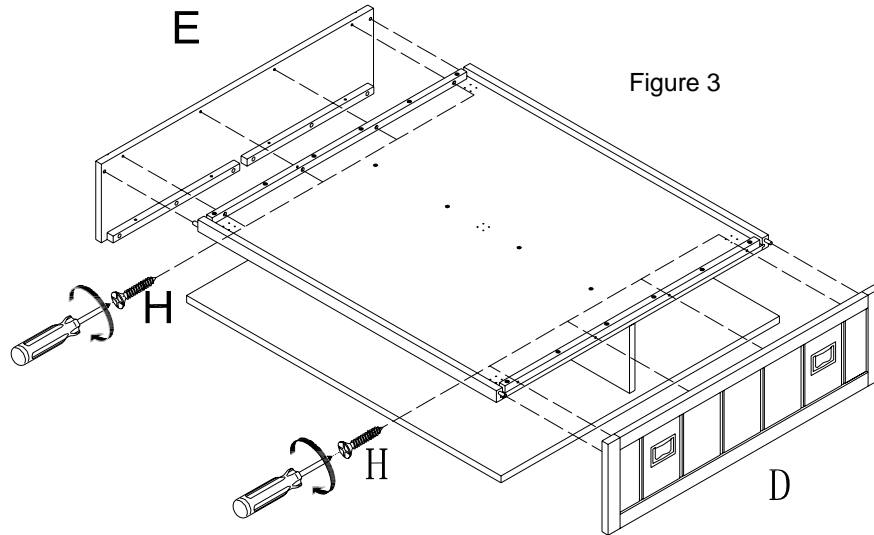


Figure 3

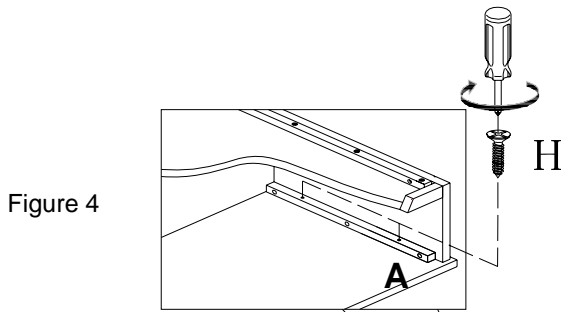


Figure 4

5. Attach (5) Casters (F) to the pre-drilled holes on the Bottom Panel using (20) Short Wood Screws (G). Do not over tighten.

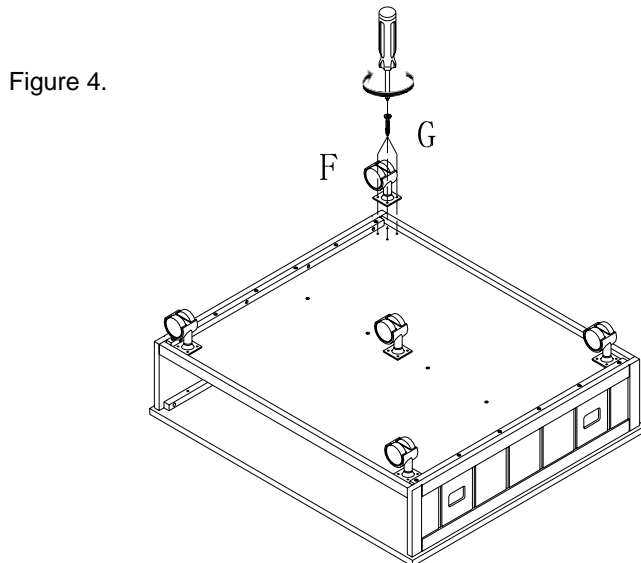


Figure 4.

CARE INSTRUCTIONS:

- Dust often using a clean, soft, dry lint-free cloth.
- Blot spills immediately, and wipe with a clean, damp, cloth.
- We do not recommend the use of chemical cleansers, abrasives, or furniture polish on our lacquered finish.

Thank you for your purchase.

stores | catalog | www.potterybarnkids.com

USA 1.800.290.8181