

pottery barn kids

BERKELEY SHORT DRESSER

PRE-ASSEMBLY:

- Remove all parts and hardware from the box and lay out on a clear carpeted or scratched-free work surface, as this will avoid damaging parts during assembly. The shipping box provides an ideal work surface.
- Do not dispose of any packaging or contents of the shipping carton until assembly is completed to avoid accidentally discarding small parts or hardware.
- Use the parts and hardware lists above to identify and separate each of the pieces included.
- The illustrations provided allow for easier assembly when used in conjunction with the assembly instructions.
- If using power tools to aid in assembly please use caution. Power tools can damaged hardware or split wood.
- One extra drawer knob is included for your convenience.

TOOLS REQUIRED:

Phillips head screwdriver (not included)



PARTS INCLUDED:

(A) Feet – 4 pcs

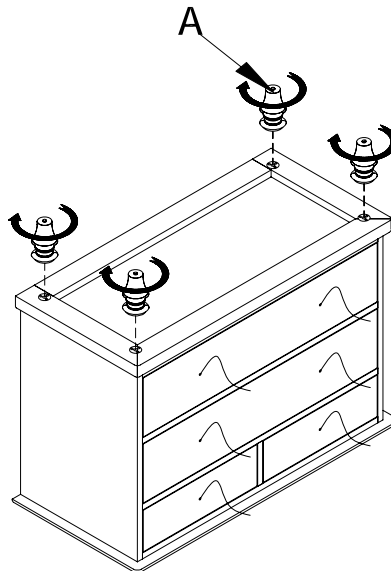
(B) Wooden knobs – 6 pcs

(C) Flat head bolt – 6 pcs

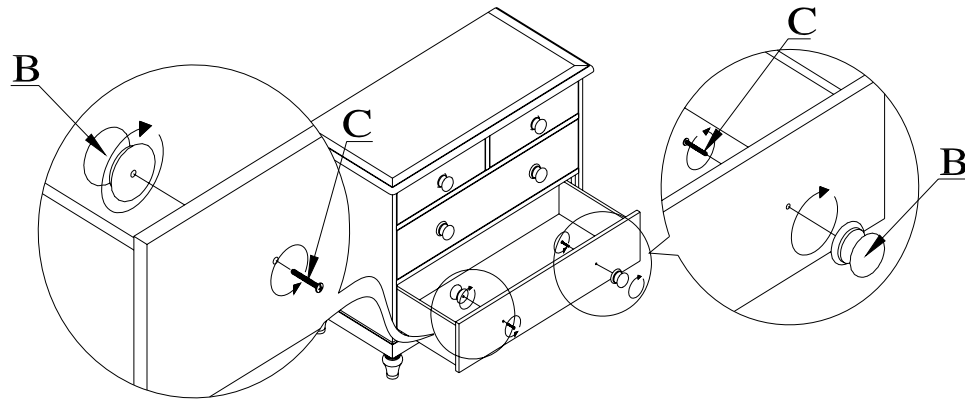


ASSEMBLY INSTRUCTIONS:

1. Carefully turn the short dresser upside down.
2. Remove Feet (A) from inside the dresser drawer and insert them into the predrilled holes in bottom of the dresser as shown.



3. Remove the Wooden knobs (B) from the drawer and then screw them into the drawer front using the Pan Head Bolts (C) as shown. Turn all connections until tight.
4. Carefully bring piece upright.



CARE INSTRUCTIONS:

- Dust often using a clean, soft, dry lint-free cloth.
- Blot spills immediately, and wipe with a clean, damp, cloth.
- We do not recommend the use of chemical cleansers, abrasives, or furniture polish on our lacquered finish.

Thank you for your purchase

stores | catalog | www.potterybarnkids.com

USA 1.800.290.8181

FURNITURE TIPPING RESTRAINT

Young children may be injured by tipping furniture. The use of a tipping restraint is highly recommended. When properly installed, this restraint could provide protection against the unexpected tipping of furniture due to small tremors, bumping or climbing. We recommend mounting this restraint to a wall stud.

WARNING: This product is only a deterrent. It is not a substitute for proper adult supervision.

Hardware Included:

- (2) Brackets
- (2) Long screws
- (2) Short screws
- (1) Nylon strap

INSTALLATION INSTRUCTIONS:

1. Locate a wall stud behind your furniture, Position a bracket on the stud approximately 1" below the top of the furniture. Mark and drill pilot hole into the center of the stud with a 3/32" drill bit. Attach a bracket to the stud with the long screws provided.
2. On the back of the furniture, a bracket will need to be attached to the furniture frame at the top. To do this, temporarily move the furniture into its final position and mark the location of the wall bracket on the furniture frame. Move the furniture away from the wall and place a bracket on the mark. Mark and drill holes for screws with a 3/32" drill bit. Attach the bracket to the furniture with the short screws provided.
3. Move the furniture into its final position, taking care to line up the wall bracket with the furniture bracket. Thread strap through the bracket as shown in the illustration. Tighten strap until snug. Do not over tighten.

