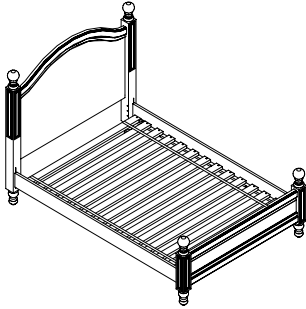


pottery barn kids

ANDERSON TWIN / FULL BED

IMPORTANT SAFETY INSTRUCTIONS:

Please read all instructions carefully before assembling.
For your safety, assembly by two adults is recommended.



PARTS INCLUDED:

- (A) Headboard – 1pc
- (B) Footboard – 1pc
- (C) Side Rail – 2pcs
- (D) Slat Roll – 1pc
- (E) Finial – 4pcs
- (F) Bun Foot – 4pcs

HARDWARE INCLUDED:

- (G) Screw 4 x 30mm  – 28pcs

TOOLS REQUIRED:

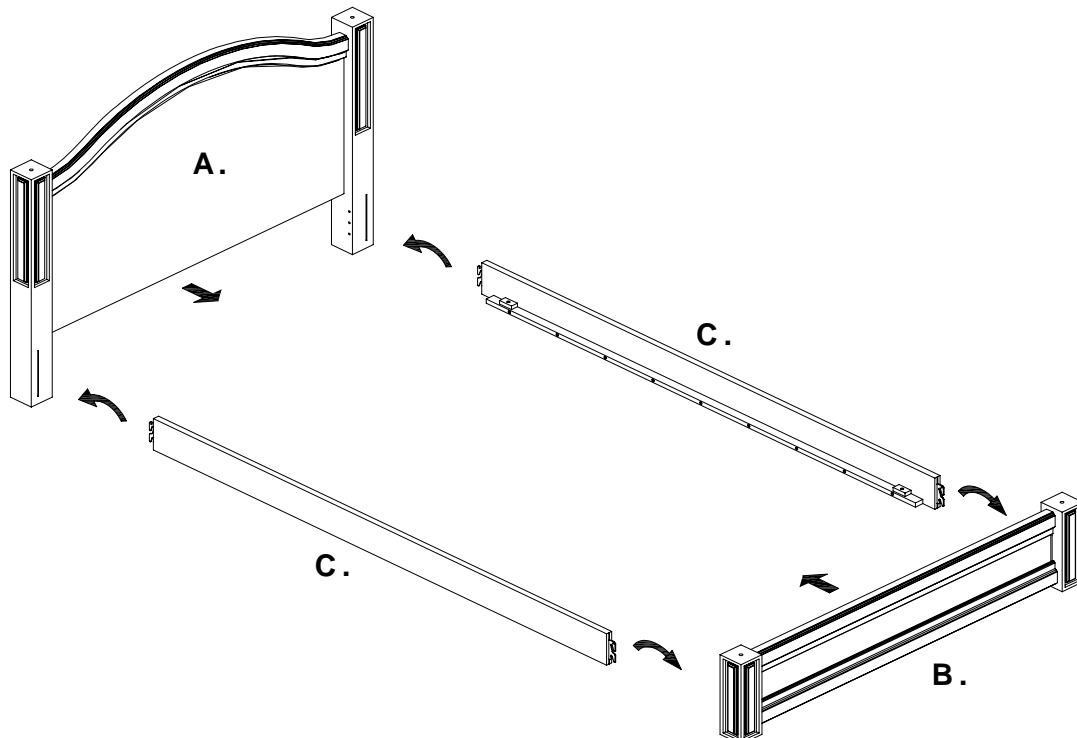
- Phillips Head Screwdriver 

PRE-ASSEMBLY:

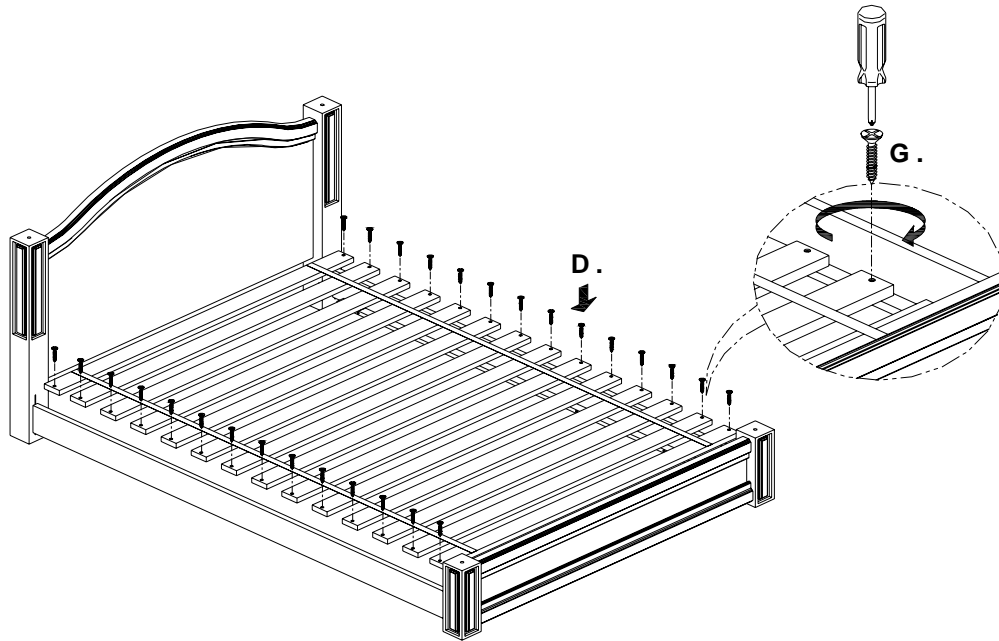
- Remove all parts and hardware from the box and lay out on a clean, carpeted, or scratch-free work surface, as this will avoid damaging any parts during assembly. The shipping box provides an ideal work surface. Do not dispose of any contents until assembly is completed to avoid accidentally discarding small parts or hardware.
- Use the parts and hardware lists above to identify and separate each of the pieces included.
- The illustrations provided allow for easier assembly when used in conjunction with the assembly instructions.
- Note: Do not fully tighten all bolts until all parts are in place. Failure to follow these instructions may cause the bolts to misalign during assembly.
- If using power tools to aid in assembly please use caution. Power tools can damage hardware or split wood.

ASSEMBLY INSTRUCTIONS:

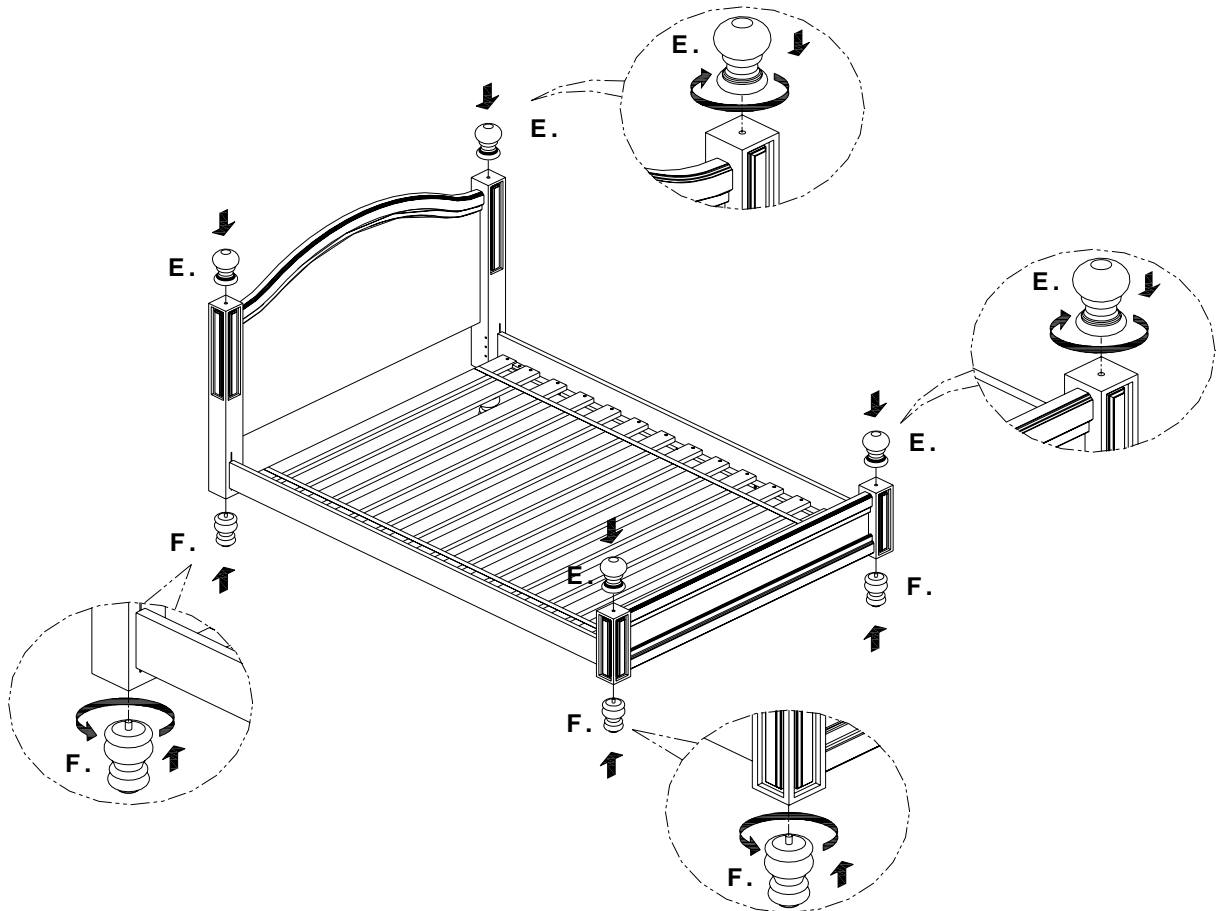
1. Determine the desired location of the bed. One person should hold the Headboard (A) in a vertical position tilted slightly forward. Attach each Side Rail (C) to the Headboard (A) by inserting the hooked ends of the Side Rail (C) into the corresponding slots in the Headboard (A), as shown. There are two levels for the Side Rails (C). If you plan on using a trundle, please use the highest setting. Be sure the small ledge on each Side Rail (C) is facing inward. Repeat with Footboard (B).



2. Place the Slat Roll (D) on the small ledges of the Side Rails and loosely secure with 28 Screws (G) using a Phillips Head Screwdriver, as shown. Once all Screws (G) are in place, fully tighten.



3. Thread the Finials (E) and Bun Feet (F) into the inserted nuts located on posts of the Headboard (A) and Footboard (B).



CARE INSTRUCTIONS:

- Dust with a clean, soft cloth.
- Bolt spills immediately, and wipe with a clean, damp, cloth.
- We do not recommend the use of chemical cleansers, abrasives, or furniture polish on our lacquered finish.

Thank you for your purchase.
stores | catalog | www.potterybarnkids.com
USA 1.800.290.8181