

pottery barn kids

EMERY BENCH

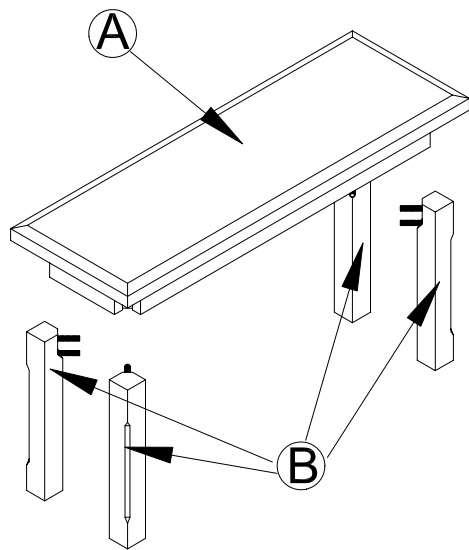
PRE-ASSEMBLY:

- Please read all instructions carefully before beginning assembly.
- Remove all parts and hardware from box and lay out on a carpeted or scratch-free work surface, as this will avoid damaging any parts during assembly. The shipping box provides an ideal work surface. Do not dispose of any contents until assembly is completed to avoid accidentally discarding small parts or hardware.
- Two adults are recommended for ease of assembly.
- Use the parts and hardware lists to identify and separate each of the pieces included prior to starting assembly.
- The illustrations provided allow for easier assembly when used in conjunction with the assembly instructions.
- Do not fully tighten all bolts until all parts are in place. Failure to follow these instructions may cause the bolts to misalign during assembly. If using power tools to aid in assembly please use caution. Power tools can damage hardware or split the wood.

PARTS INCLUDED:

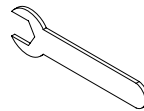
A – Top Panel (x1)

B – Leg with fixed bolts (x4)



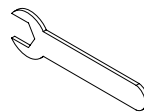
TOOLS REQUIRED:

Wrench (included)



HARDWARE:

C – Wrench (x1)



D – Nut 5/16" x 12x6mm (x8)



E – Spring Washer 5/16" x 13 x 2mm (x8)

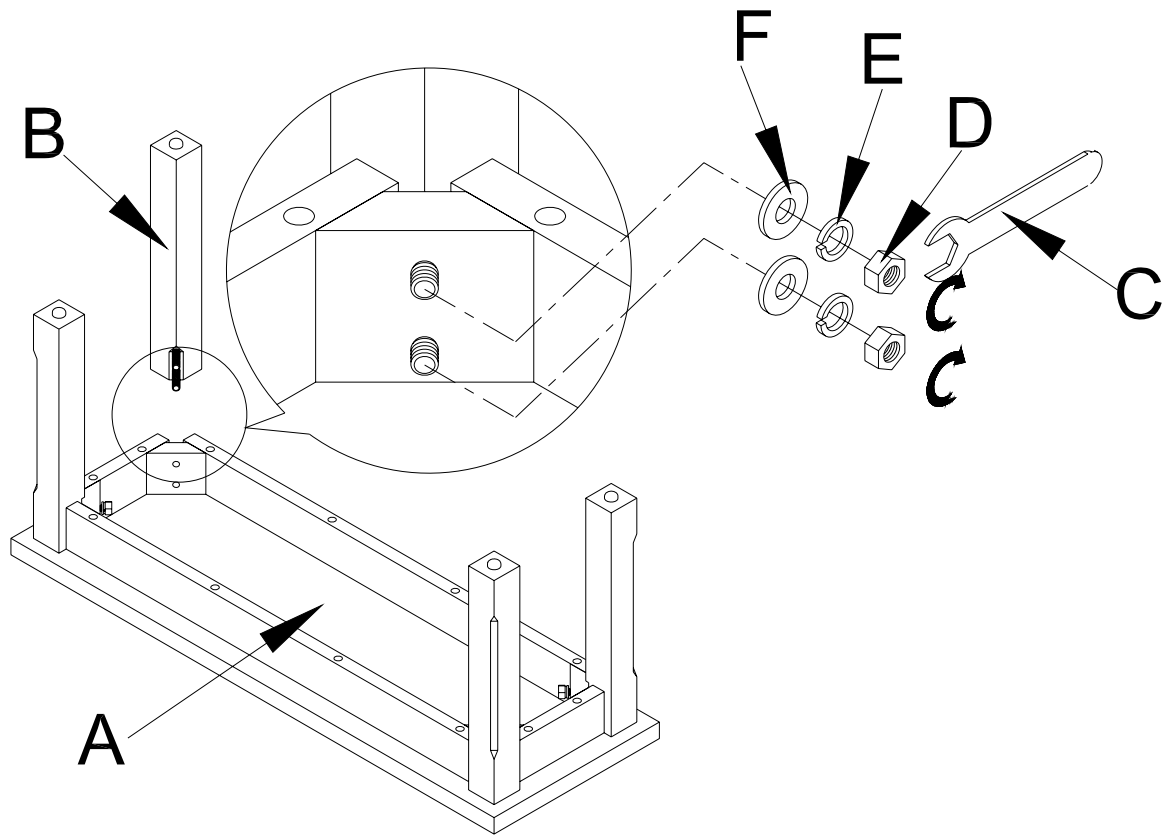


F – Flat Washer 5/16" x 16 x 2mm (x8)

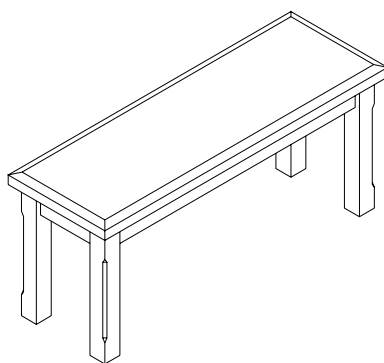


ASSEMBLY:

1. Lay the Top Panel (A) down as shown in the illustration below. Attach the Leg (B) to the Top Panel (A) using (8) Nut (D), Spring Washer (E), Flat Washer (F) with the Wrench (C). See illustration below.



2. Upright the Bench as shown.



Thank you for your purchase
stores | catalog | www.potterybarnkids.com
USA 1.800.290.8181