

pottery barn kids

FARMHOUSE ROUND TABLE

IMPORTANT SAFETY INSTRUCTIONS:





Please read all instructions carefully before assembling.
For your safety, assembly by two people is recommended.



PART LIST

- (A) Table Top – 1pc
- (B) Leg – 4pc

HARDWARE LIST

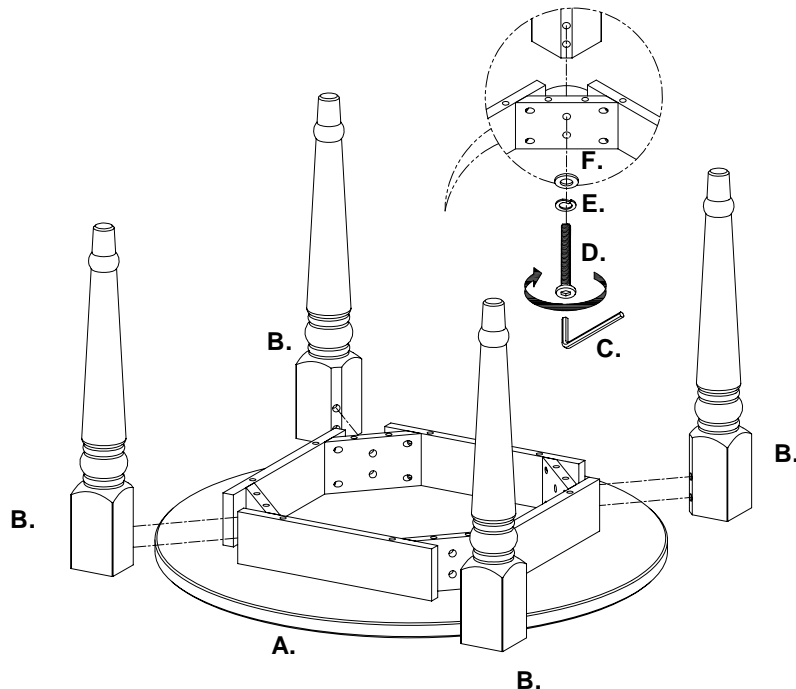
- (C) Allen Key  - 1pc
- (D) Bolt 5/16" x 63mm  - 8pcs
- (E) Spring Washer 5/16"  - 8pcs
- (F) Flat Washer 5/16"  - 8pcs

PRE-ASSEMBLY:

- Remove all parts and hardware from the box and lay out on a clean, carpeted, or scratch-free work surface, as this will avoid damaging any parts during assembly. The shipping box provides an ideal work surface. Do not dispose of any contents until assembly is completed to avoid accidentally discarding small parts or hardware.
- Use the parts and hardware lists above to identify and separate each of the pieces included.
- The illustrations provided allow for easier assembly when used in conjunction with the assembly instructions.
- Note: Do not fully tighten all bolts until all parts are in place. Failure to follow these instructions may cause the bolts to misalign during assembly.
- If using power tools to aid in assembly please use caution. Power tools can damage hardware or split wood.

ASSEMBLY INSTRUCTIONS:

1. Carefully place the Tabletop (A) face-down on your work surface.
2. Secure the Leg (B) to the Tabletop (A) by placing a Flat Washer (F), a Spring Washer (E), and a Bolt (D), and securing with the Allen Key (C). The Flat Washer (F) should be the washer touching the table. Repeat with the remaining (3) Legs (B).
3. Carefully upright the table, verifying all connections are tightly fastened



CARE INSTRUCTIONS:

- Dust with a clean, soft cloth.
- Bolt spills immediately, and wipe with a clean, damp, cloth.
- We do not recommend the use of chemical cleansers, abrasives, or furniture polish on our lacquered finish.
- Do not stand on the tabletop at any time.

Thank you for your purchase
stores | catalog | www.potterybarnkids.com
USA 1.800.290.8181