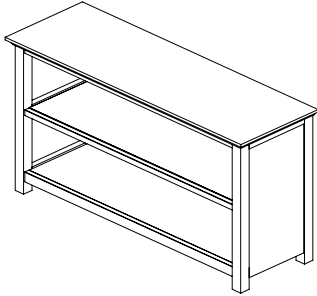


pottery barn kids

CAMERON 2 SHELF BOOKCASE

IMPORTANT SAFETY INSTRUCTIONS:

Please read all instructions carefully before assembling.
For your safety, assembly by two adults is recommended.



PARTS INCLUDED:


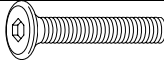



- (A) Top Panel – 1pc
- (B) Center Shelf – 1pc
- (C) Bottom Panel – 1pc
- (D) Left Side Panel – 1pc
- (E) Right Side Panel – 1pc
- (F) Small Back Panel – 1pc
- (G) Large Back Panel – 1pc

TOOLS REQUIRED:

Philips Screwdriver (Not included)



HARDWARE INCLUDED:

 (H) Allen Key – 1pc	 (I) Allen Bolt 1/4" x 28mm – 12pcs	 (J) Spring Washer 1/4" – 12pcs
 (K) Flat Washer 1/4" – 12pcs	 (L) Wood Screw 3 x 15mm – 9pcs	

PRE-ASSEMBLY:

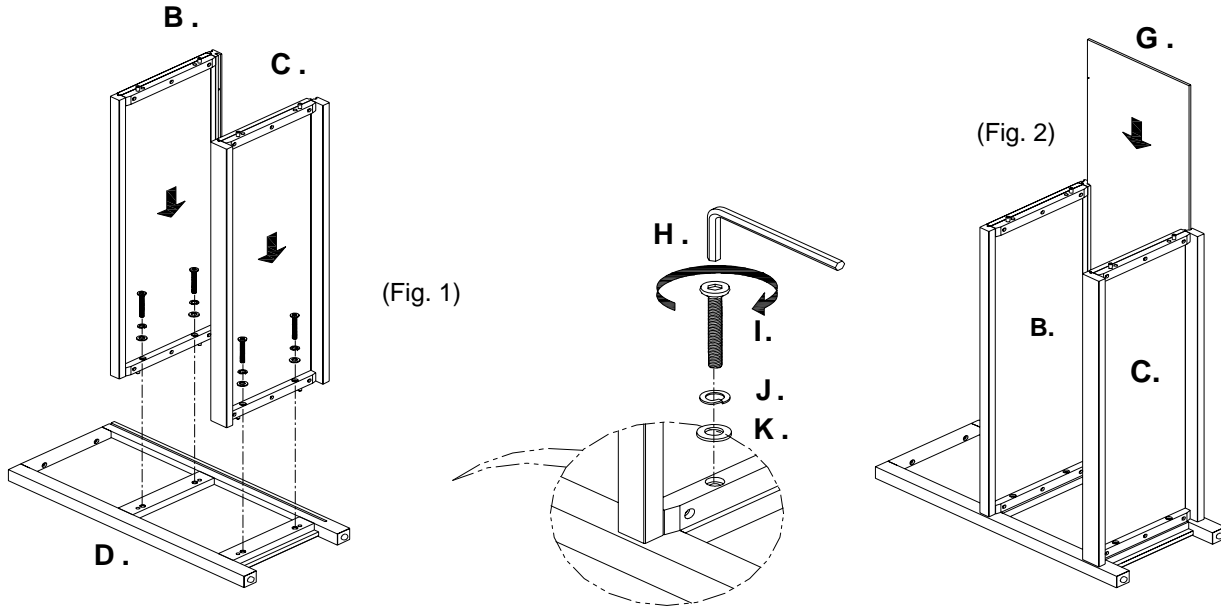
- The illustrations provided allow for easier assembly when used in conjunction with the assembly instructions.
- Remove all parts and hardware from box and lay out on a carpeted or scratch-free work surface, as this will avoid damaging any parts during assembly. The shipping box provides an ideal work surface. Do not dispose of any contents until assembly is completed to avoid accidentally discarding small parts or hardware.
- Save all packing materials until assembly is complete to avoid accidentally discarding smaller parts or hardware.
- Use the parts and hardware lists to identify and separate each of the pieces included prior to starting assembly.
- Note: DO not fully tighten all bolts until all parts are in place. Failure to follow these instructions may cause the bolts to misalign during assembly.
- If using power tools to aid in assembly please use caution. Power tools can damage hardware or split wood.

CARE INSTRUCTIONS:

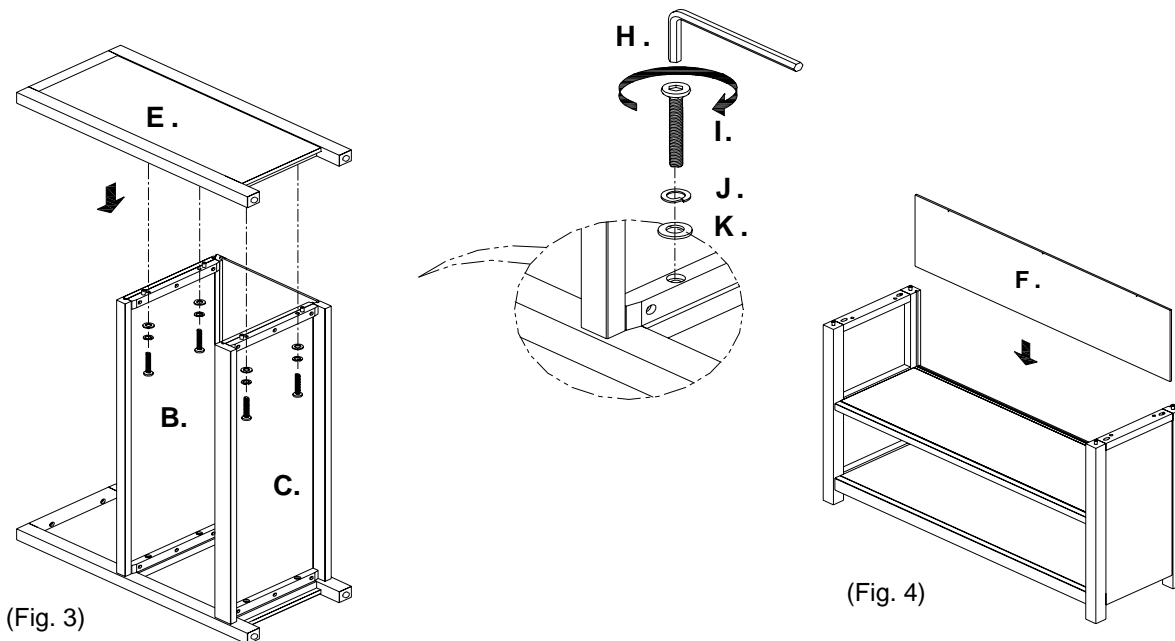
- Dust often using a clean, soft, dry lint-free cloth.
- Blot spills immediately, and wipe with a clean, damp, cloth.
- We do not recommend the use of chemical cleansers, abrasives, or furniture polish on our lacquered finish.

ASSEMBLY INSTRUCTIONS:

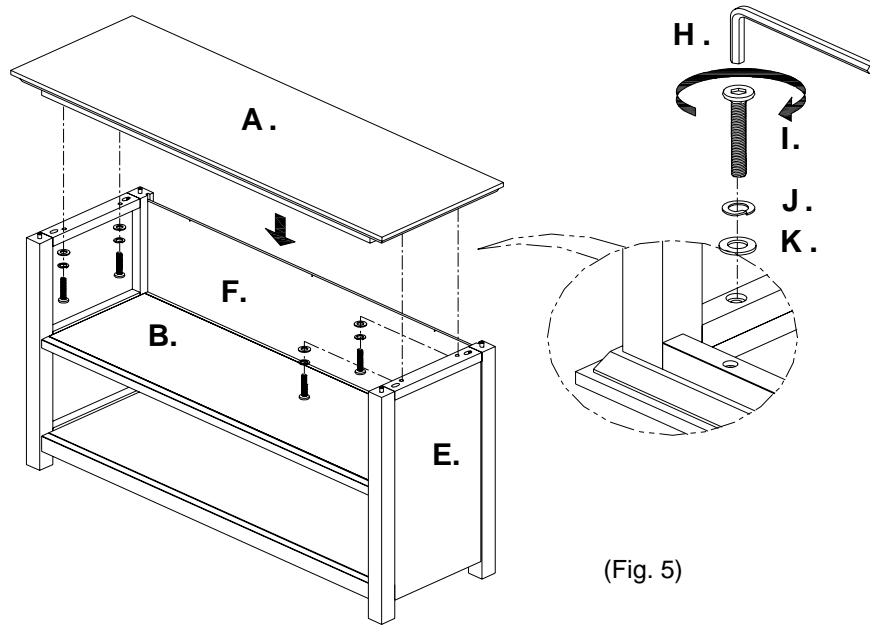
1. Connect the Center Shelf (B) and Bottom Panel (C) to the Left Side Panel (D) by aligning the pre-drilled holes on the cleats of the Center Shelf (B) and Bottom Panel (C) to those of the Left Side Panel (D). Secure by inserting an Allen Bolt (I) through a Spring Washer (J) and a Flat Washer (K) through the pre-drilled holes on the cleats of the Center Shelf (B) and Bottom Panel (C) and into the pre-drilled holes of the Left Side Panel (D) using the Allen Key (H). Note: Ensure the slots on the Center Shelf (B), Bottom Panel (C) and Left Side Panel (D) all align. (Fig. 1).
2. Slide the Large Back Panel (G) into the slots of the Center Shelf (B), Bottom Panel (C) and the Left Side Panel (D). (Fig. 2).



3. Place the Right Side Panel (E) on the assembled piece. Secure by inserting an Allen Bolt (I) through a Spring Washer (J) and a Flat Washer (K) through the pre-drilled holes on cleats of the Center Shelf (B) and Bottom Panel (C) and into pre-drilled holes of the Right Side Panel (E) using the Allen Key (H). (Fig. 3).
4. Place the assembled piece in upright position. Slide the Small Back Panel (F) into the slots on the Left Side Panel (D), Right Side Panel (E) and Center Shelf (B). (Fig. 4).

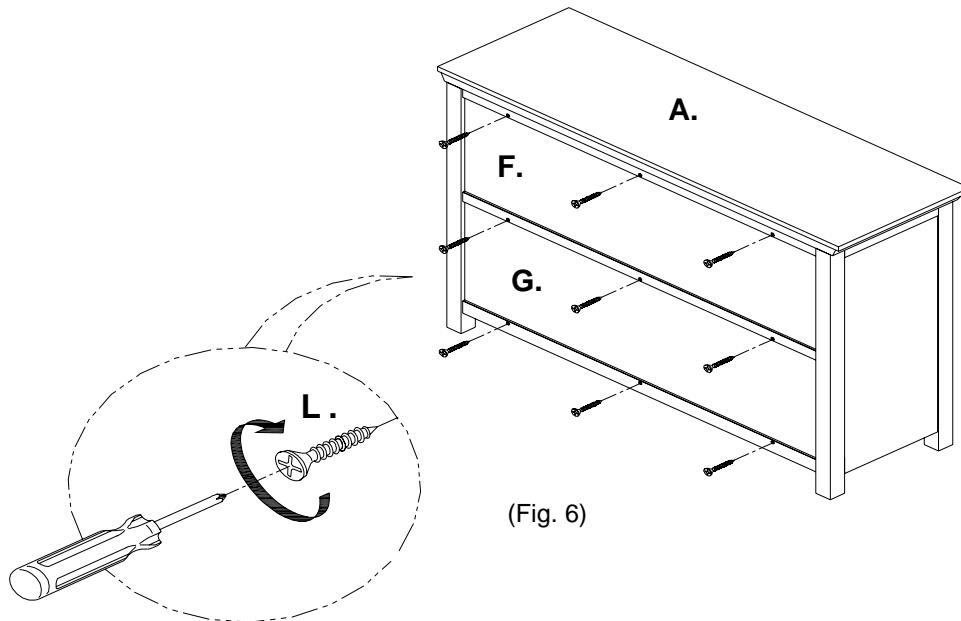


5. Place the Top Panel (A) on the assembled piece. Secure by inserting an Allen Bolt (I) through a Spring Washer (J) and a Flat Washer (K) through the pre-drilled holes on cleats of the Left/Right Side Panel (D & E) and into those of the Top Panel (A) using the Allen Key (H). (Fig. 5).



(Fig. 5)

6. Secure the Large/Small Back Panel (F & G) to the Center Shelf (B), Bottom Panel (C) and Top Panel (A) using (9) Wood Screws (L) and a Philips Screwdriver. Check alignments and tighten all bolts and screws. (Fig. 6).



(Fig. 6)

Thank you for your purchase.

stores | catalog | www.potterybarnkids.com
USA 1.800.290.8181