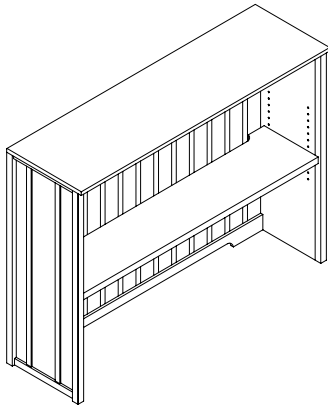


# pottery barn kids

## CAMP SMALL DRESSER HUTCH

**PRE-ASSEMBLY:**

- Please read all instruction before beginning assembly. The illustrations provided allow for easier assembly when used in conjunction with the assembly instructions.
- For your safety and ease, assembly by two adults is recommended
- Remove all parts and hardware from box and lay out on a carpeted or scratch-free work surface, as this will avoid damaging any parts during assembly. The shipping box provides an ideal work surface. Do not dispose of any contents until assembly is completed to avoid accidentally discarding small parts or hardware.
- Use the parts and hardware lists to identify and separate each of the pieces included prior to starting assembly.
- Note: DO not fully tighten all bolts until all parts are in place. Failure to follow these instructions may cause the bolts to misalign during assembly.
- If using power tools to aid in assembly please use caution. Power tools can damage hardware or split wood.



**PARTS INCLUDED:**

- (A) Small Dresser Hutch – 1pc
- (B) Removable Shelf – 1pc

**PARTS REQUIRED:**




Camp Small Dresser (sold separately)

**TOOLS REQUIRED:**

Philips Screwdriver (Not included)

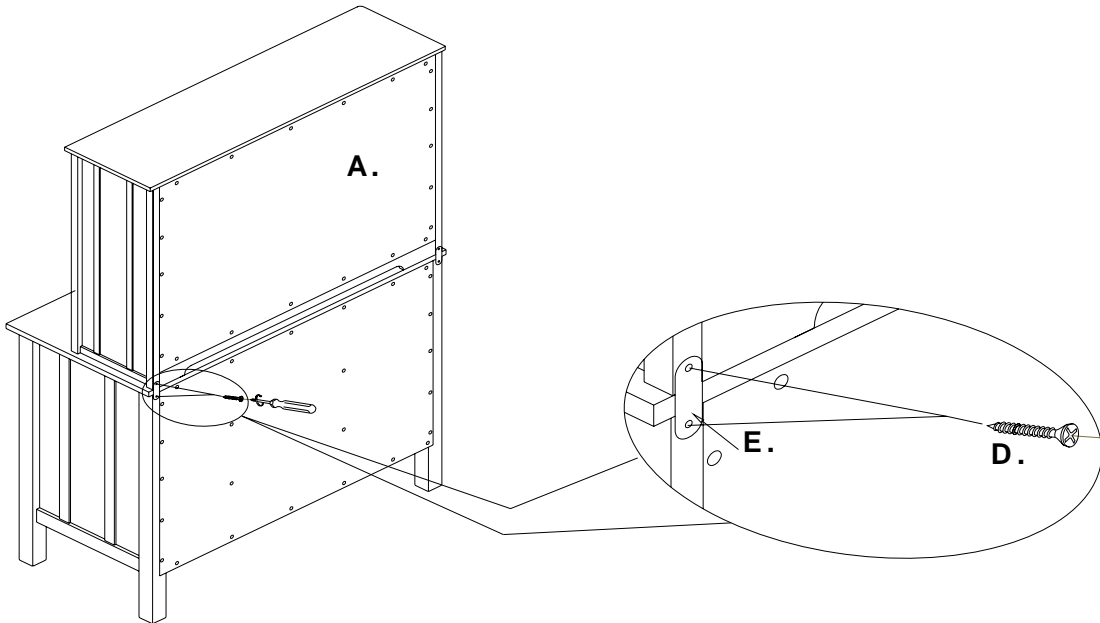


**HARDWARE INCLUDED:**

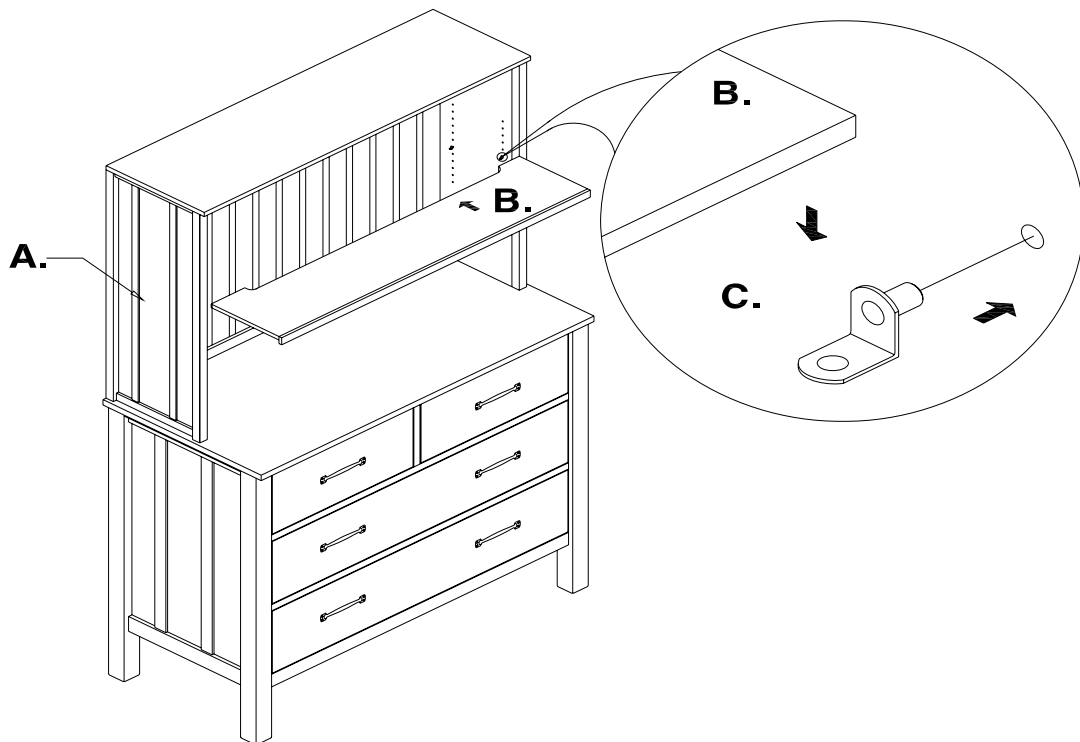
 (C) Shelf Support Peg – 4pcs	 (D) Short Wood Screw 3.5 x 12mm – 4pcs	 (E) Connecting Bracket – 2pcs
---	--	--

**ASSEMBLY INSTRUCTIONS:**

1. Carefully lift the Small Hutch (A) onto the Small Dresser (Sold Separately). Place a Connecting Bracket (E) over the predrilled holes on the Small Hutch and the Small Dresser and secure with (2) Short Wood Screws (D). Repeat with the other Connecting Bracket (E) on the other side.



2. Insert the (4) Shelf Support Pegs (C) into the pre-drilled holes on interior sides of the Left/Right Side Panels of the Small Hutch. Place the Removable Shelf (B) on the Shelf Support Pegs (C).



**CARE INSTRUCTIONS:**

- Dust often using a clean, soft, dry lint-free cloth.
- Blot spills immediately, and wipe with a clean, damp cloth.
- We do not recommend the use of chemical cleansers, abrasives, or furniture polish on our lacquered finish.

Thank you for your purchase.  
stores | catalog | [www.potterybarnkids.com](http://www.potterybarnkids.com)  
USA 1.800.290.8181