

pottery barn kids

thomas extra wide dresser

Please read all instructions before beginning assembly.

For ease of assembly two people are recommended.

Save all packing materials until assembly is complete to avoid accidentally discarding smaller parts or hardware.

Note: The feet are packed in a box, which is placed inside the top left drawer for shipment.

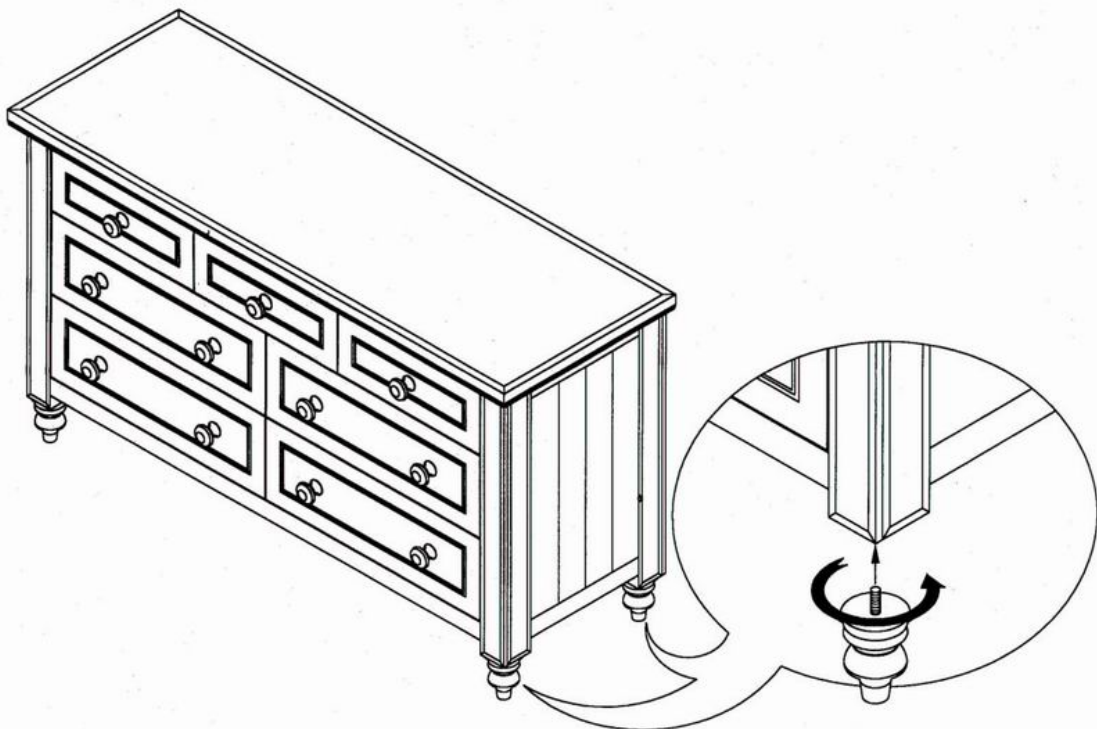
PARTS INCLUDED:

(4) Turning Feet – A



ASSEMBLY:

- 1) On a soft, scratch-free surface such as a rug or carpet turn the item over.
- 2) Thread the Feet (A) into the pre-drilled holes at the bottom of extra wide dresser and tighten firmly.
- 3) Bring drawer chest upright onto its feet.



Thank you for your purchase.