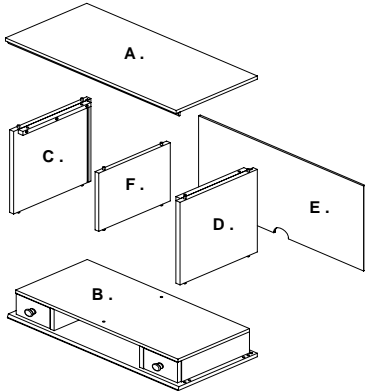


# pottery barn kids

## CAMERON CRAFT TABLE HUTCH

### PRE-ASSEMBLY:

- Read all instructions before beginning assembly. The illustrations provided allow for easier assembly when used in conjunction with the assembly instructions.
- For your safety and ease, assembly by two adults is recommended.
- Remove all parts and hardware from the box and lay out on a clean, carpeted, or scratch-free work surface. Use care as some parts or hardware may have sharp points or edges.
- Do not dispose of any contents until assembly is completed to avoid accidentally discarding small parts or hardware.
- Use the parts and hardware lists to identify and separate each of the pieces included.
- Note: Do not fully tighten all bolts until all parts are in place. Failure to follow these instructions may cause the bolts to misalign during assembly.
- The use of power tools for assembly is not recommended. Power tools can damage hardware or split wood.

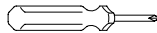


### PARTS INCLUDED:

- (A) Top Panel – 1pc
- (B) Bottom Unit – 1pc
- (C) Left Side Panel – 1pc
- (D) Right Side Panel – 1pc
- (E) Back Panel – 1pc
- (F) Center Divider – 1pc

### TOOLS REQUIRED:

Philips Screwdriver (Not included)



### HARDWARE INCLUDED:

(G) Allen Key – 1pc	(H) Allen Bolt 1/4" x 28mm – 8pcs	(I) Spring Washer – 8pcs
(J) Flat Washer – 8pcs	(K) Square Bracket – 2pcs	(L) Wood Screw 3 x 12mm – 8pcs

### ASSEMBLY INSTRUCTIONS:

1. Align and connect the wooden dowels on Left/Right Side Panels (C&D) to the pre-drilled holes on each end of the Bottom Unit (B). Slide a Spring Washer (I), Flat Washer (J) onto an Allen Bolt (H). Insert the Allen Bolt from bottom of the Bottom Unit (B) into the pre-drilled holes located on bottom of the Left/Right Side Panels, using the Allen Key (G). Repeat with another (3) Allen Bolts. (Fig. 1)

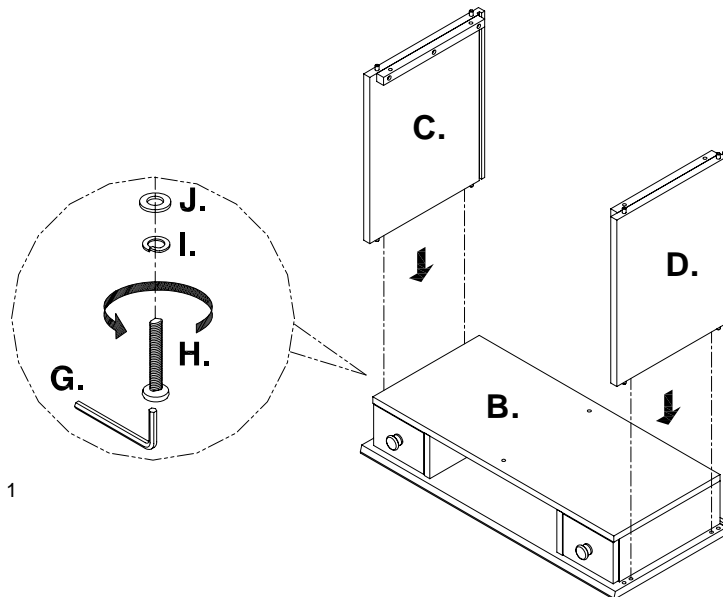
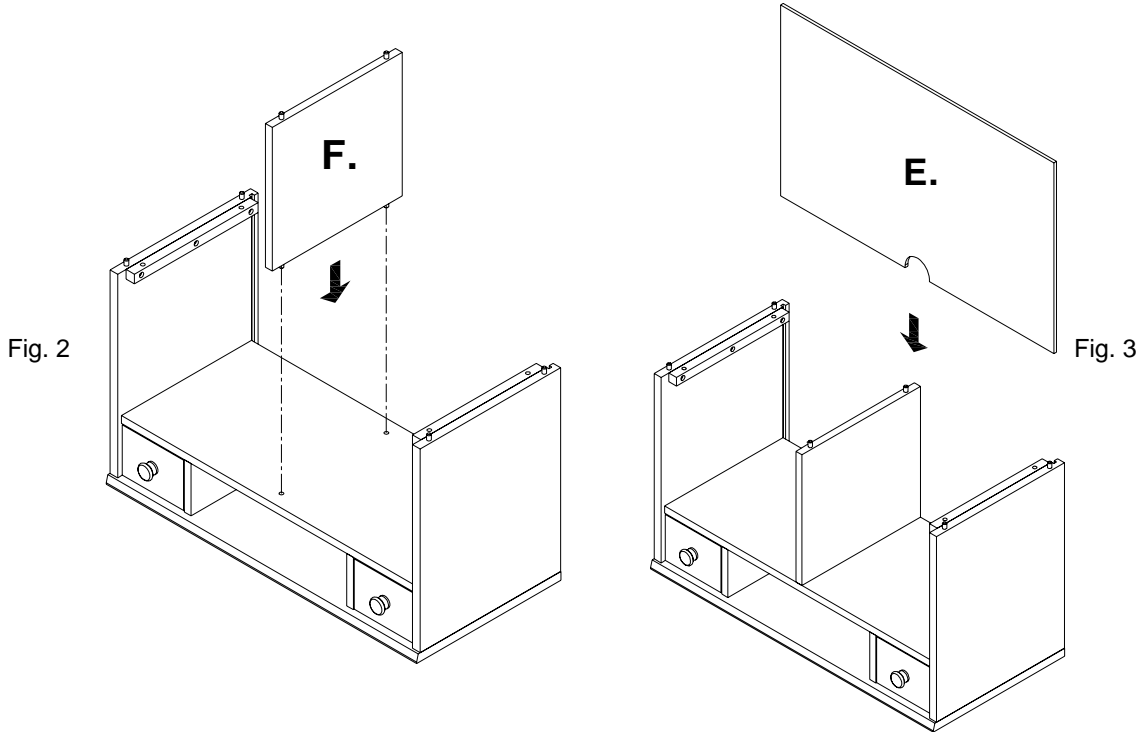
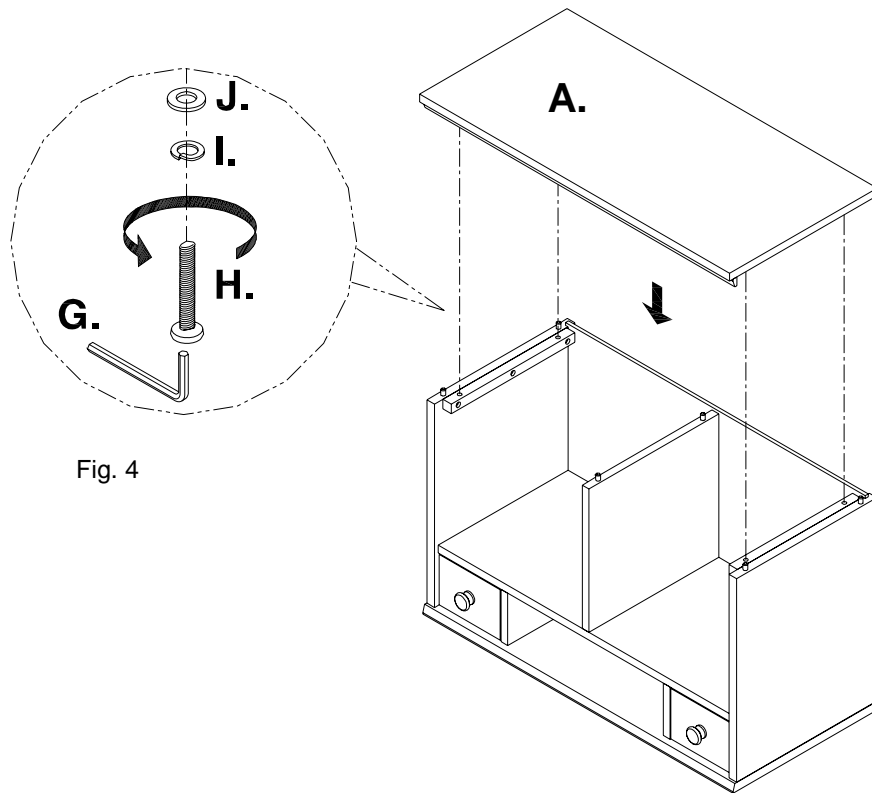


Fig. 1

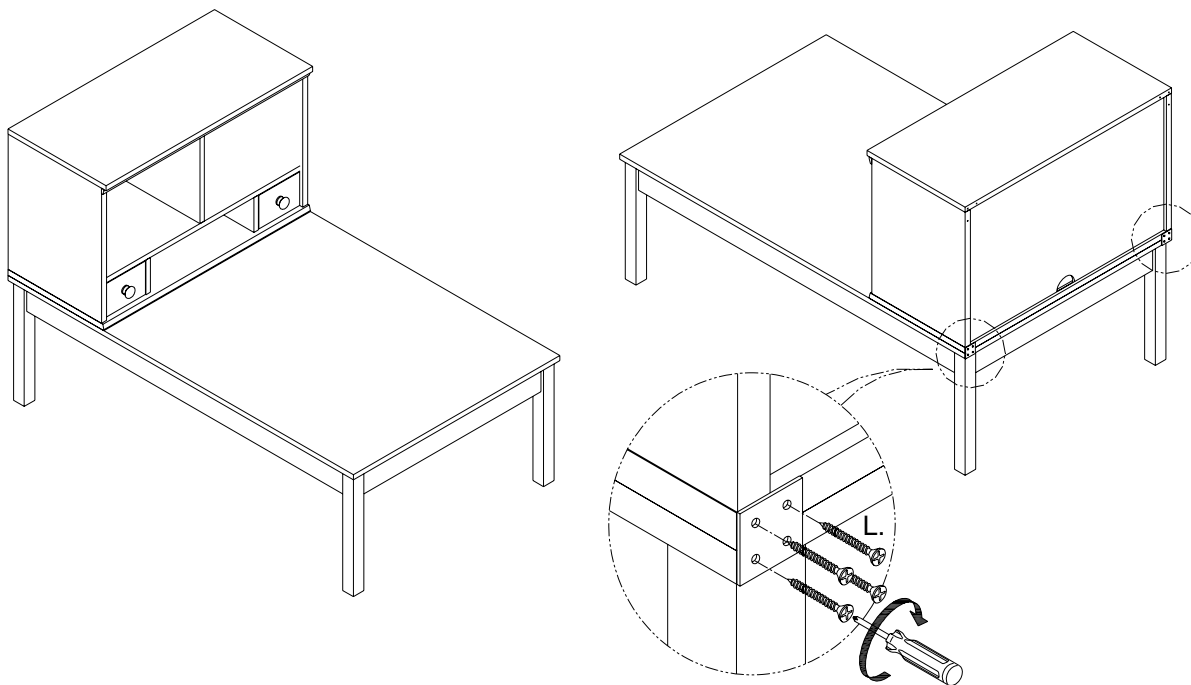
2. Align the wooden dowels on the Center Divider (F) to the pre-drilled holes on the assembled piece, (Fig 2). Slide the Back Panel (E) into the slots on the Left/Right Side Panels (Fig. 3).



3. Place the Top Panel (A) on the assembled piece. Slide a Spring Washer (I), Flat Washer (J) onto an Allen Bolt (H) and insert the Allen Bolt from the wooden cleat on the Left/Right Side Panels into the Top Panel (A) securing with the Allen Key (G). Repeat with the remaining (3) Allen Bolts.



4. When connecting to the Cameron Craft Table (sold separately), place the hutch on the table and secure with (2) Square Mending Plates (K) and (8) Wood Screws.



**CARE INSTRUCTIONS:**

- Dust often using a clean, soft, dry lint-free cloth.
- Blot spills immediately, and wipe with a clean, damp, cloth.
- We do not recommend the use of chemical cleansers, abrasives, or furniture polish on our lacquered finish.

Thank you for your purchase.  
stores | catalog | [www.potterybarnkids.com](http://www.potterybarnkids.com)  
USA 1.800.290.8181