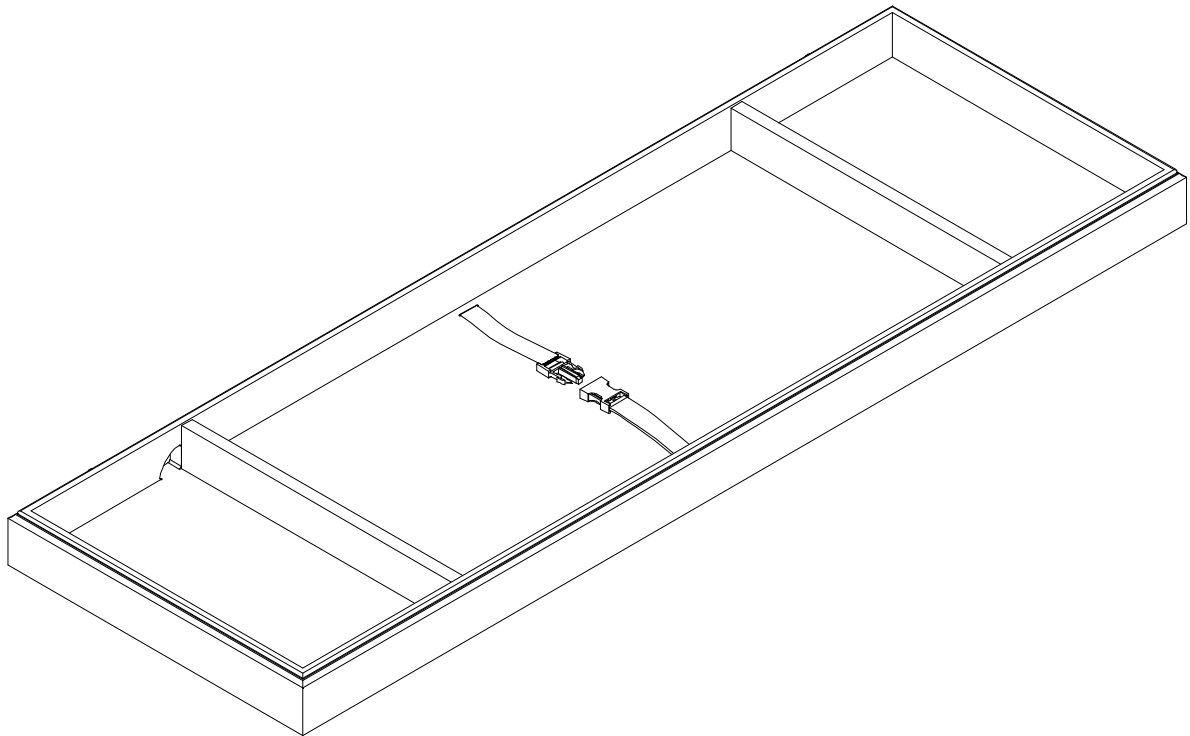


# pottery barn kids

## FILLMORE XW DRESSER TOPPER

### ASSEMBLY INSTRUCTIONS



[www.potterybarnkids.com](http://www.potterybarnkids.com)



## **WARNING: FALL HAZARD** - To prevent death or serious

injury from falls, always keep child within arm's reach.

- Read all instructions before use of the changing table. **KEEP INSTRUCTIONS FOR FUTURE USE.**
- Before each use check the changing table for damage, loose parts, or sharp edges. **DO NOT** use the changing table if it is damaged or broken.
- Set up this table to be level, stable, and structurally sound with minimum surface dimensions of 1346 mm x 448 mm.
- This changing table may be used with or without a pad. The only pad approved for use with it is the Contour Changing Pad available for purchase from pottery barn kids. This pad is designed to be used in a space of at least 810 mm x 400 mm (31 7/8 inches x 15 3/4 inches). If used, place it within the rail-bounded changing area of the changing table.
- The maximum thickness of the Contoured Changing Pad to be used with this changing table topper is 127mm (5 inches).
- **NEVER LEAVE THE CHILD UNATTENDED** and always use the restraining system.
- This changing table is intended for use with children weighing up to 30 pounds.



## **MISE EN GARDE: RISQUE DE CHUTE** - Pour éviter

la mort ou une blessure grave due à une chute, garder toujours l'enfant à portée de bras.

- Veuillez lire toutes les instructions avant d'utiliser la table à langer. **CONSERVEZ LES INSTRUCTIONS POUR UTILISATION FUTURE.**
- Avant chaque utilisation, inspectez la table à langer pour détecter des dommages, des pièces lâches ou des arêtes coupantes. Il ne **FAUT PAS** utiliser la table à langer si elle est endommagée ou brisée.
- Monter cette table pour que soit à niveau, stable et solide avec des dimensions de surface minimum de 1346 mm x 448 mm.
- Cette table à langer peut-être utilisée avec ou sans matelas. Le seul matelas approuvé pour la table est le matelas à langer offert par pottery barn kids. Il est conçu pour être utilisé dans un emplacement d'au moins 810 mm x 400 mm (31 7/8 po x 17 3/4 po). Si vous utilisez un matelas, placez-le dans la partie conçue à cet effet dans la table à langer.
- L'épaisseur maximale du coussin à utiliser avec cette surface pour table à langer est de 127 mm (5 pouces)
- **NE LAISSEZ JAMAIS L'ENFANT SANS SURVEILLANCE** et utilisez toujours le système de retenue.
- Cette table à langer est conçue pour les enfants pesant moins de 14 kg.

04-000062-4

### Important Safety Instructions:

- Please read all instructions carefully before assembling.
- For your safety, assembly by two or more adults is strongly recommended.
- Keep instructions for future use.
- Use only vendor supplied hardware to assemble. Using unauthorized hardware could jeopardize the structural integrity of the item.


### Pre-assembly:

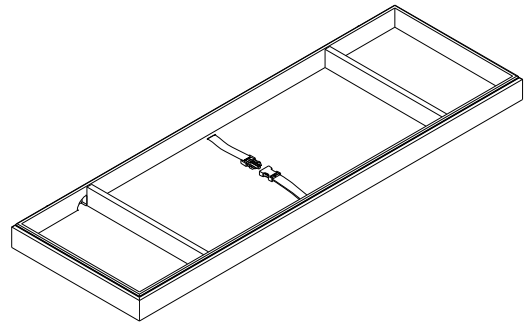
- Remove all parts and hardware from the box and lay out on a clear carpeted or scratch-free work surface, as this will avoid damaging parts during assembly. The shipping box provides an ideal work surface.
- Do not dispose of any packaging or contents of the shipping carton until assembly is completed to avoid accidentally discarding small parts or hardware.
- Use the parts and hardware lists below to identify and separate each of the pieces included.
- The illustrations provided allow for easier assembly when used in conjunction with the assembly instructions.
- The use of power tools to aid in assembly is not recommended. Power tools can damage hardware and split wood.

### Parts Included:

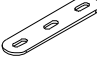
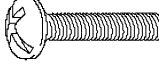
(A) Topper (1X)

### Tools Required:

Philips Head Screw Driver (not included) 

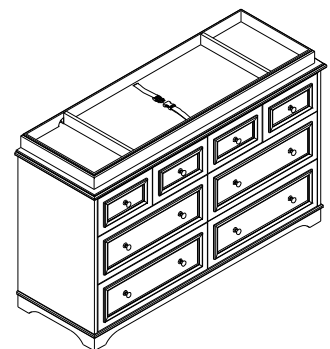
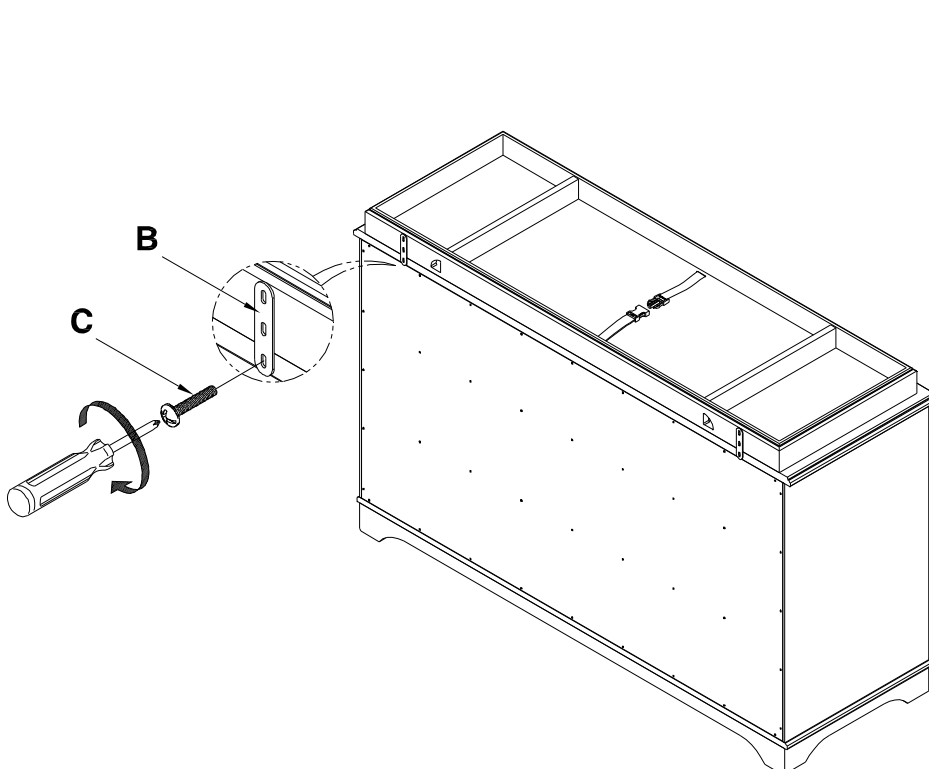


### Hardware Included:

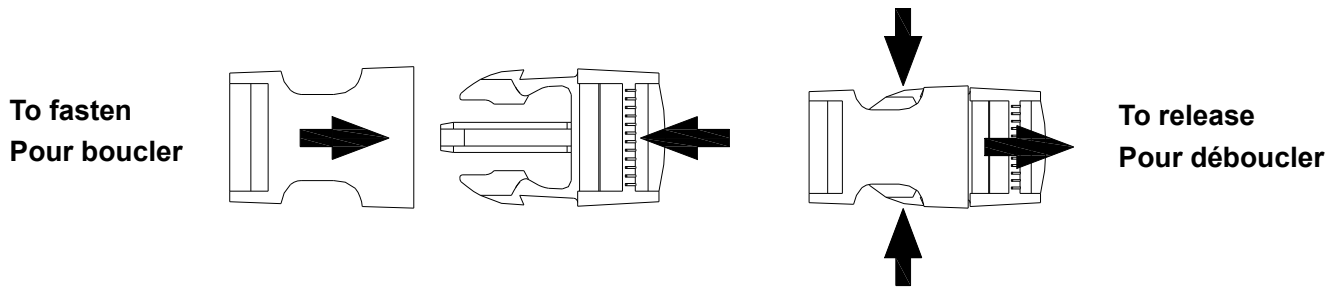
	
(B) Mending Bracket – 2x	(C) Machine Screw 5/32"x12mm – 6x

### Assembly Instruction Steps:

1. Place Topper (A) on a Fillmore XW Dresser (sold separately). Place a Connecting Bracket (B) over the pre-drilled holes located on rear side of the topper and dresser. Insert (3) Machine Screw (C) to secure by using a Philips Head Screwdriver. Repeat with the other side.



2. Adjust the restraint strap to fit baby's body. To fasten restraint strap, insert the buckle as shown below. To release, press inward on the tabs.



**CARE INSTRUCTIONS:**

- Dust often using a clean, soft, dry lint-free cloth.
- Blot spills immediately, and wipe with a clean, damp cloth.
- We do not recommend the use of chemical cleansers, abrasives, or furniture polish on our lacquered finish.
- If the crib is to be stored, store in cool dry place and carefully package all original hardware to protect from loss or damage.
- Check fasteners periodically for tightness DO NOT over tighten. This may cause distortion or breakage.
- Parents should ensure a safe environment for the child by checking regularly, before placing the child in the product, that every component is properly and securely in place.

Thank you for your purchase  
Stores | catalog | [www.potterybarnkids.com](http://www.potterybarnkids.com)  
USA 1.800.290.8181