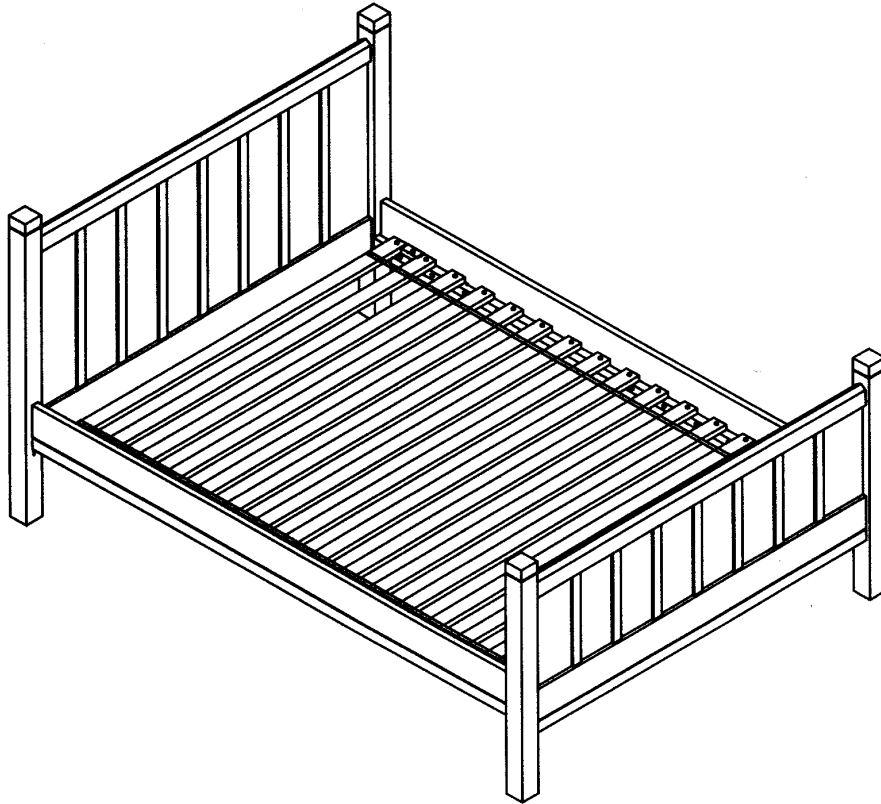


pottery barn kids

Please read all instructions before beginning assembly.
For ease of assembly two people are recommended.
Save all packing materials until assembly is complete to avoid accidentally discarding smaller parts or hardware.



camp bed full size

TOOLS REQUIRED:

- Phillips head screwdriver (included)



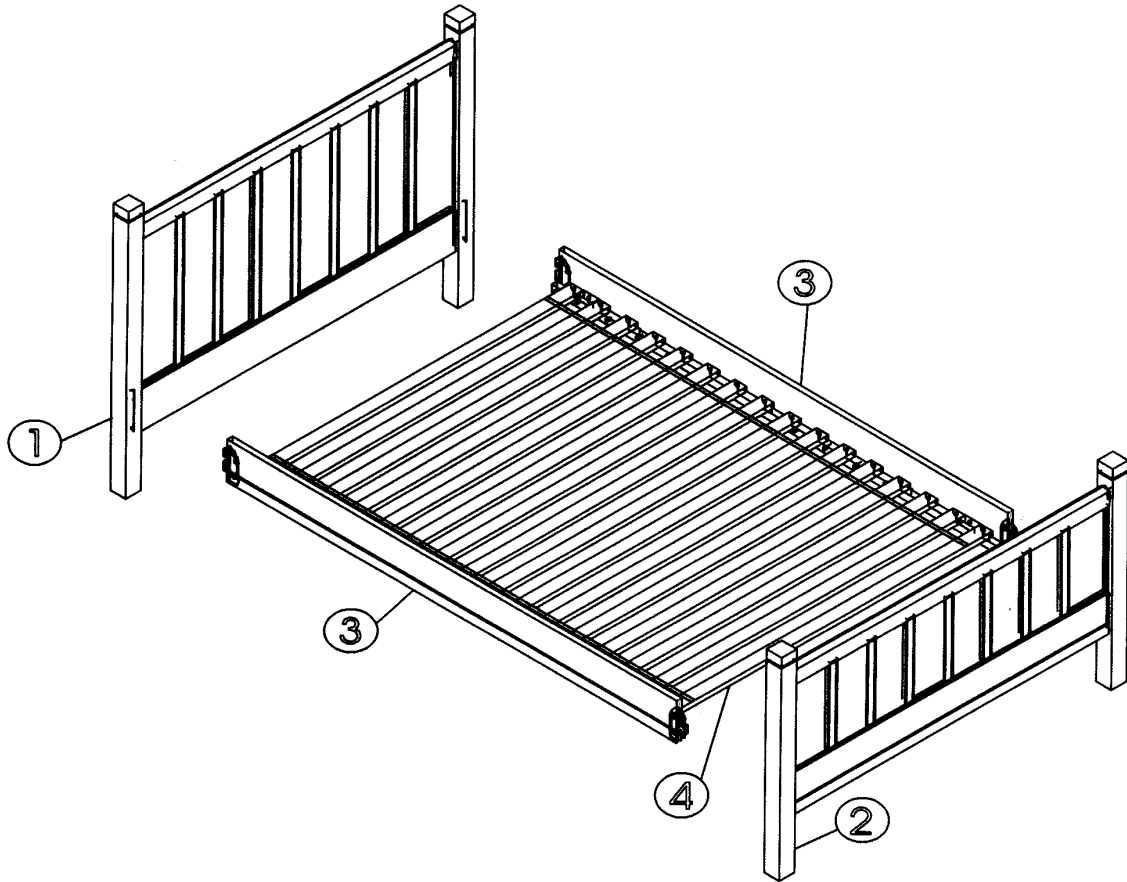
HARDWARE INCLUDED:

- (32) Large Phillips Head Screws (D)
- (1) Phillips Head Screw Driver (G)



PARTS INCLUDED:

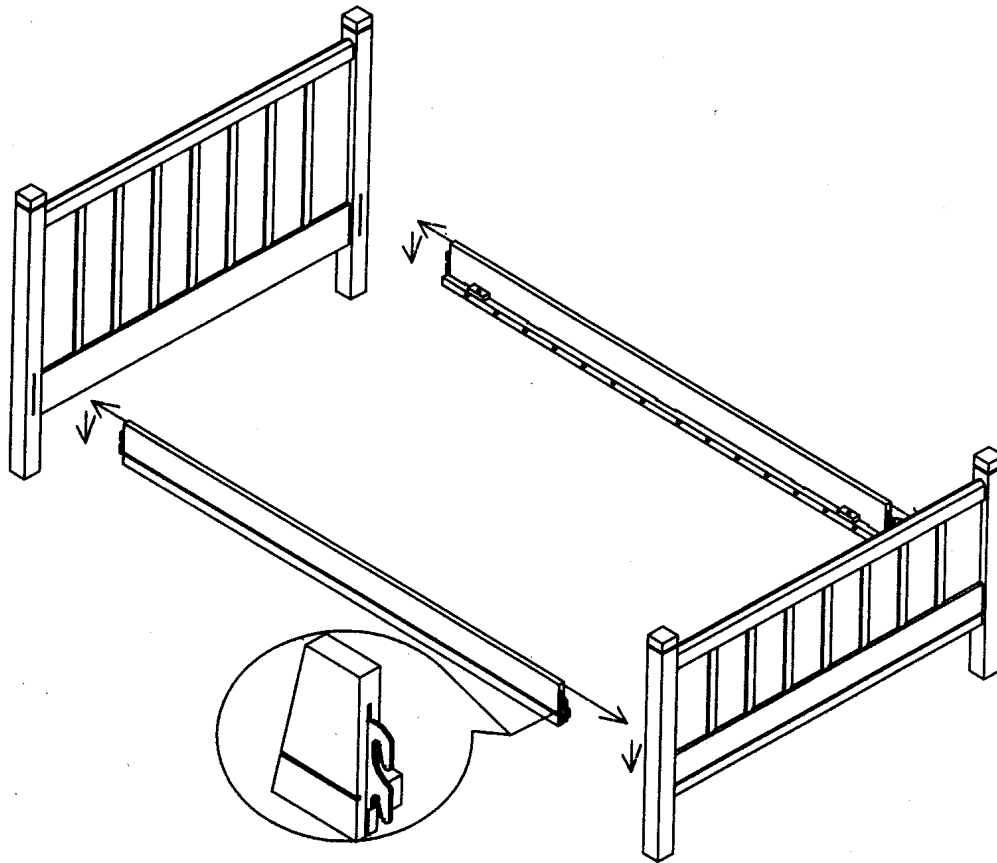
- Headboard & Foot board
- (2) Side Rails
- (1) Slat Rolls



ASSEMBLY:

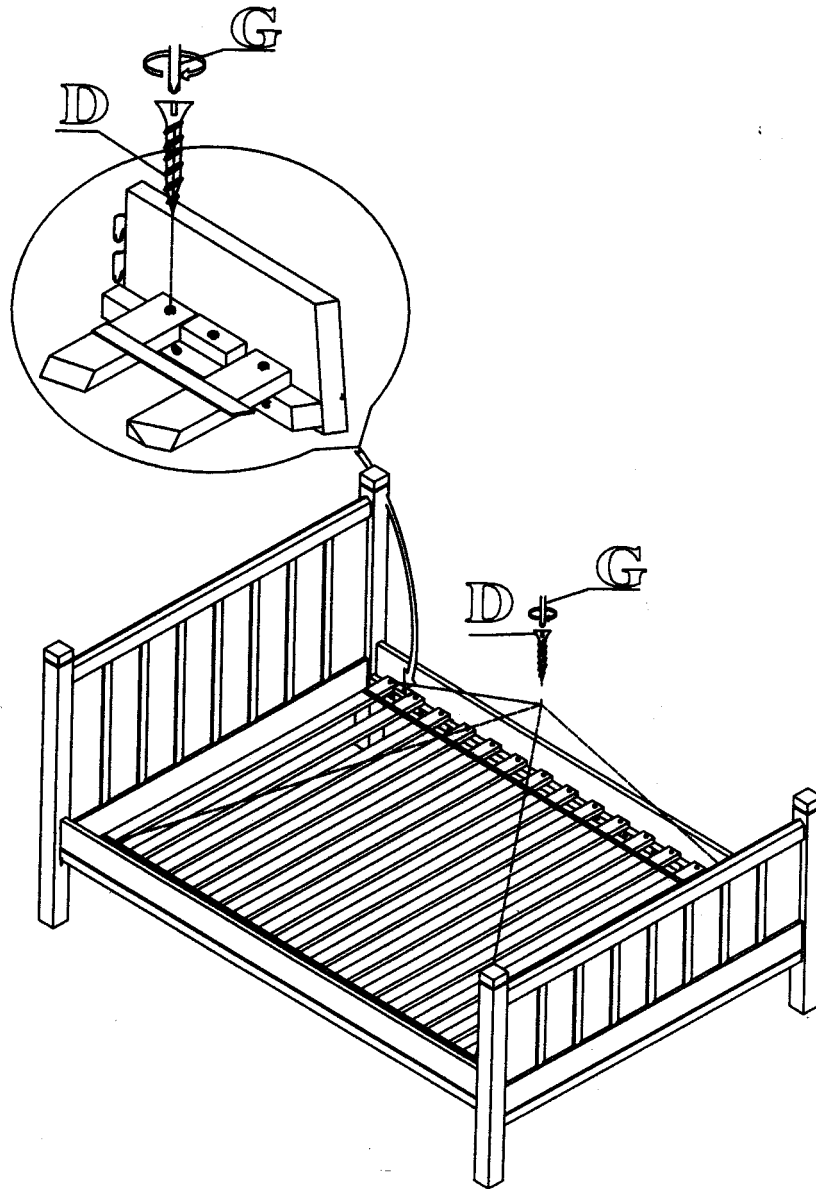
Step #1

1. Hold side rails up to slots on the legs of the headboard and insert the hooks of each side rail into the slots. Push down firmly on the top of side rails until they seat themselves over the pins inside the leg slots as shown.
2. Repeat the same procedure with the foot board.



Step #2

3. Lay the slat roll in between the side rails and use (32) Large Phillips head screws (D) to fasten slats to the side rails with the Phillips head screwdriver for both beds.
4. Retighten all bolts and screws to make sure all are tight and bunk bed structure is rigid. It is recommended all bolts and screws be checked from time to time.



Thank you for your purchase.