

pottery barn kids

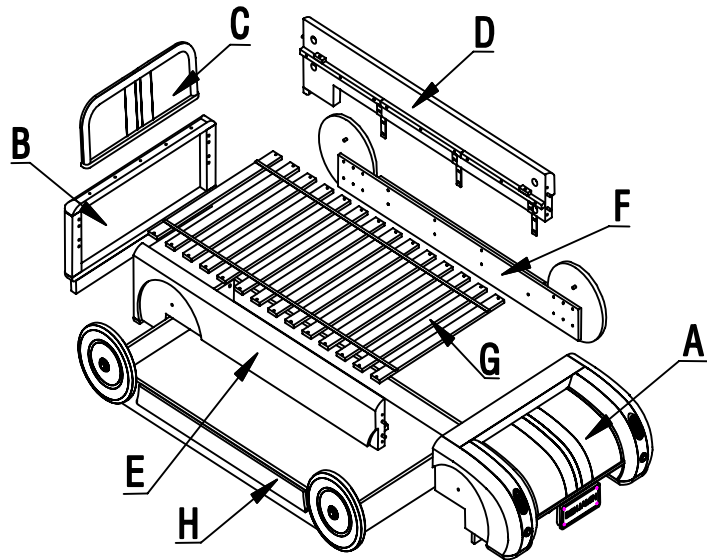
ROADSTER BED

PRE-ASSEMBLY:

- Remove all parts and hardware from the box and lay out on a clear carpeted or scratch-free work surface. (The shipping box provides an ideal work surface), this will avoid damaging any parts during assembly. Do not dispose of any contents until assembly is completed to avoid accidentally discarding small parts or hardware.
- Two people recommended for ease of assembly.
- Use the parts and hardware lists to identify and separate each of the pieces included prior to starting assembly.
- The illustrations provided allow for easier assembly when used in conjunction with the assembly instructions.
- Note: Do not fully tighten all bolts until all parts are in place. Failure to follow these instructions may cause the bolts to misalign during assembly.
- If using power tools to aid in assembly please use caution. Power tools can damage hardware or split wood.

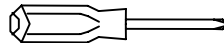
PARTS INCLUDED:

- A – Front Section (x1)
- B – Headboard (x1)
- C – Headboard Top (x1)
- D – Right side rail (x1)
- E – Left side rail (x1)
- F – Right Trundle side panel (x1)
- G – Slat roll (x1)
- H – Left Trundle side panel (x1)

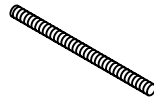


HARDWARE INCLUDED:

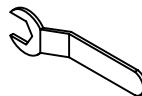
Phillips head screwdriver (not included)



I – Long bolt (x8)



J – Wrench (x1)



K – Lock washer (x8)



L – Spring washer 5/16"x13mm (x8)



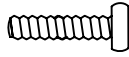
M – Metal washer (x8)



N – Allen key (x1)



O – Connector (x5)



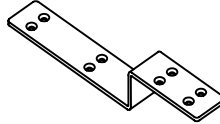
P - Spring washer 1/4"x11mm (x5)



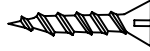
Q – Flat washer (x5)



R – “S” shape metal bracket (x6)



S – Small Phillips head screw (x24)

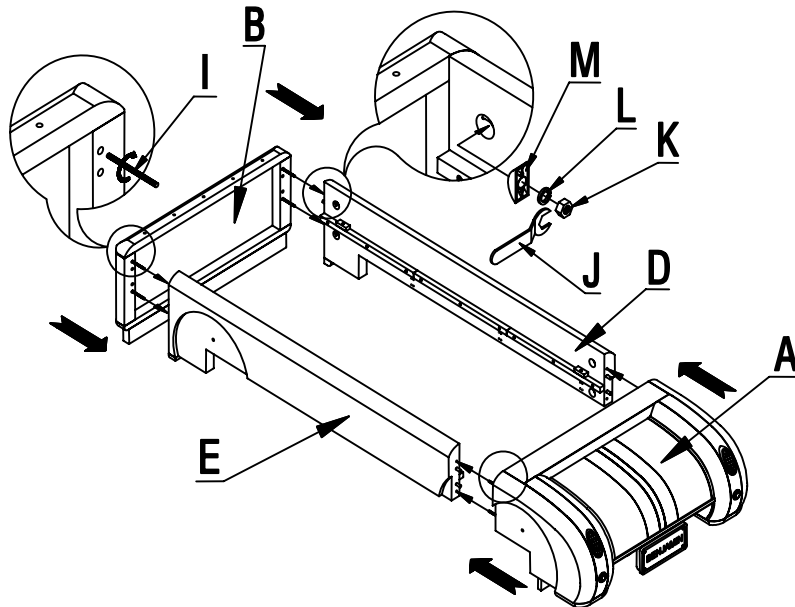


T – Large Phillips head screw (x28)

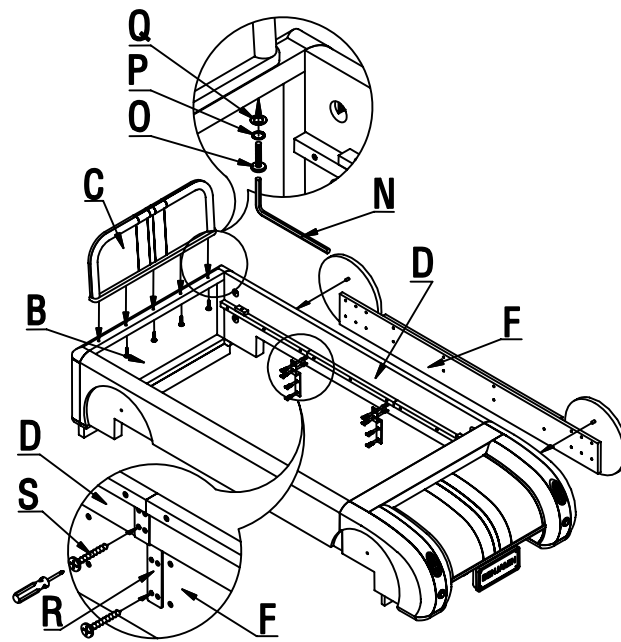


ASSEMBLY:

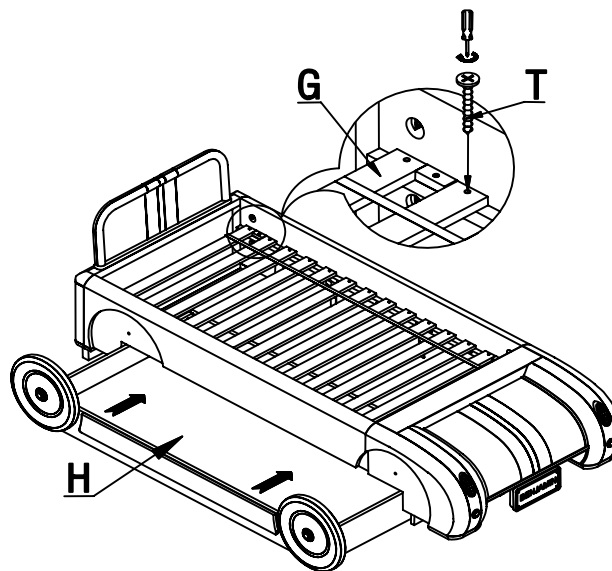
1. Hold Right side rail (D) and Left side rail (E) up to slots on the Front Section (A) and Footboard (B) and insert the side rail to Front Section, Footboard using the long bolts (I). Fasten the side rails using the metal washer (M), spring washer 5/16"x13mm (L), Lock washer (K) as shown below.



- Attach the Head Board Top (C) to the Footboard using the Connector (O), spring washer 1/4"x11mm (P), Flat washer (Q) as shown. Then assembly the "S" shape metal bracket (R) to the side rail and trundle.



- Lay the Slat roll (G) in between the Side rail and use (28) Large Phillips Head screws (T) to fasten Slats to the Side rail with the Phillips head screwdriver. Place the trundle under the bed.
- Retighten all bolts and screws to make sure all are tight and bed structure is rigid. It is recommended all connections be retightened from time to time.



Thank you for your purchase.

stores | catalog | www.potterybarnkids.com