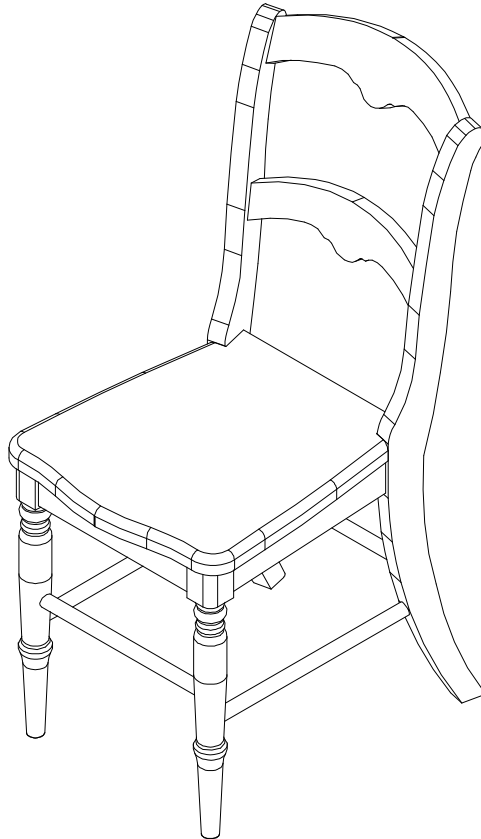


pottery barn kids

FINLEY STATIONARY CHAIR

ASSEMBLY INSTRUCTIONS



Important Safety Instructions:

- Please read all instructions carefully before assembling.
- For your safety, assembly by two or more adults is strongly recommended.
- Keep instructions for future use.
- Use only vendor supplied hardware to assemble. Using unauthorized hardware could jeopardize the structural integrity of the item.

Pre-assembly:

- Remove all parts and hardware from the box and lay out on a clear carpeted or scratch-free work surface, as this will avoid damaging parts during assembly. The shipping box provides an ideal work surface.
- Do not dispose of any packaging or contents of the shipping carton until assembly is completed to avoid accidentally discarding small parts or hardware.
- Use the parts and hardware lists below to identify and separate each of the pieces included.
- The illustrations provided allow for easier assembly when used in conjunction with the assembly instructions.
- The use of power tools to aid in assembly is not recommended. Power tools can damage hardware and split wood.

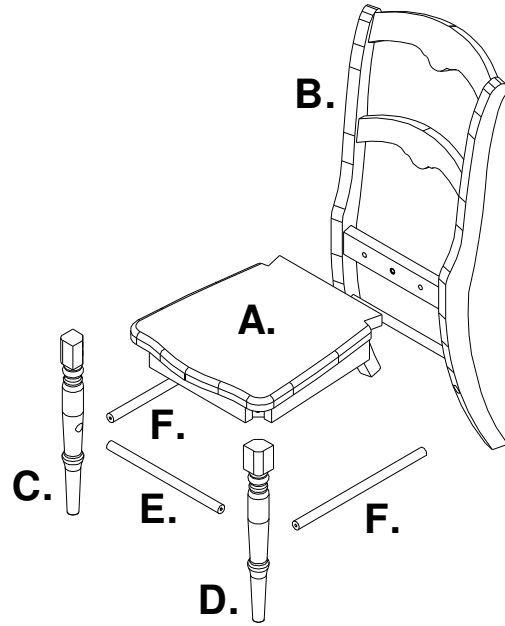
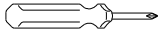
www.potterybarnkids.com

Parts Included:

- (A) Chair Seat (1x)
- (B) Rear Leg Panel (1x)
- (C) Left Front Leg (1x)
- (D) Right Front Leg (1x)
- (E) Front Stretcher Short (1x)
- (F) Side Stretcher Long (2x)

Tools Required:

Philips Head Screw Driver (not included)

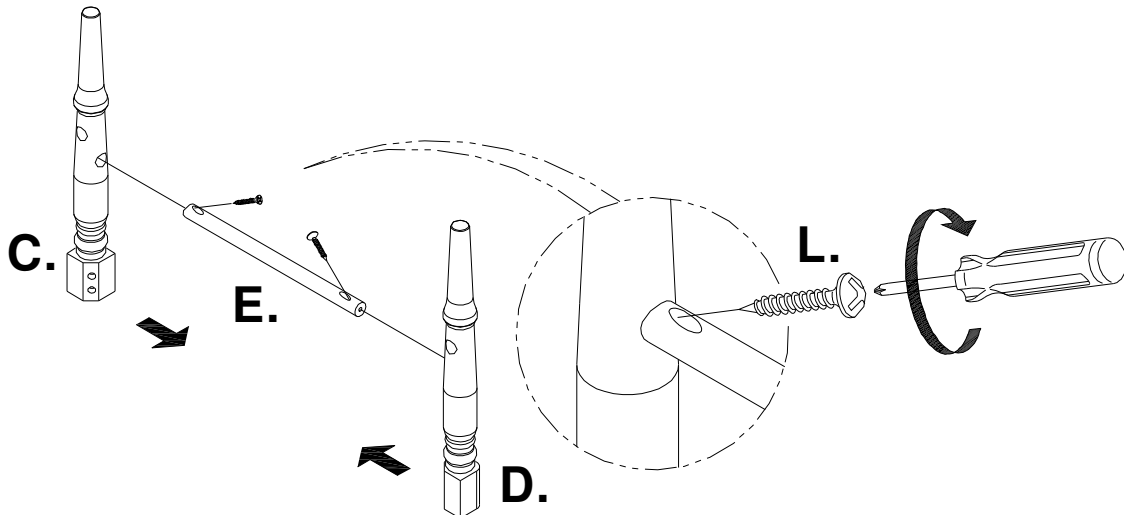


Hardware Included:

 (G) Allen Key – 1x	 (H) Long Bolt 1/4"x 64mm – 4x	 (I) Short Bolt 1/4"x 40mm – 5x
 (J) Spring Washer – 9x	 (K) Flat Washer – 9x	 (L) Wood Screw 4x32mm – 6x

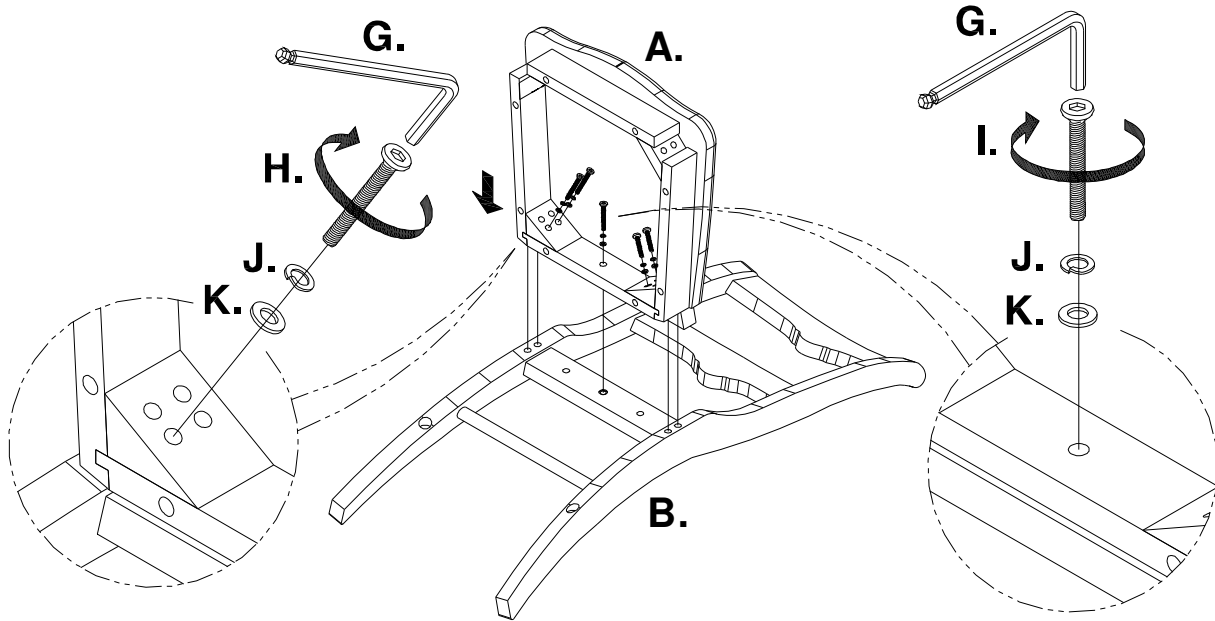
Assembly Instruction Steps:

1. Connect the Front Stretcher (E) to the Left/Right Front Legs (C&D) by inserting ends of Front Stretcher (E) into the pre-drilled hole located far from leg bottoms as shown below. Insert (2) Wood Screw (L) to secure by using a Philips Head Screw Driver (not included). Make sure the wood screws face toward leg bottoms. Do not fully tighten at this point.

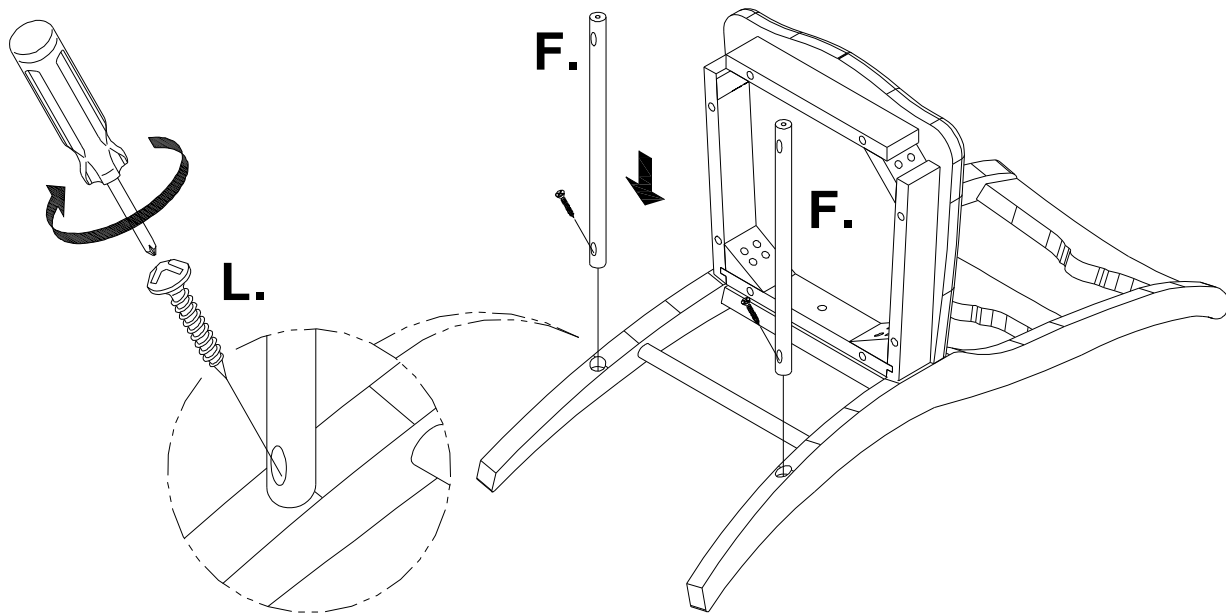


- Slide a Spring Washer (J) and a Flat Washer (K) onto each Long and Short Bolts (H&I). Attach Chair Seat (A) to the Rear Leg Panel (B) by aligning wooden dowels on rear side of the Chair Seat to pre-drilled holes on center rail of the Rear Leg Panel (B).

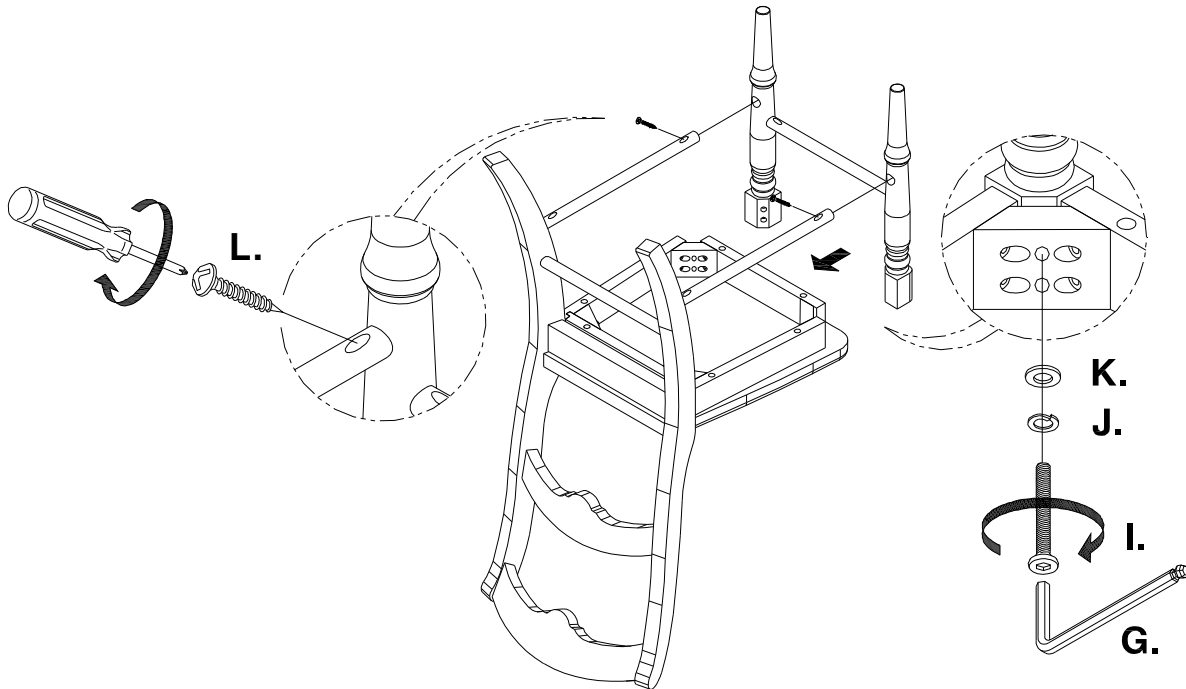
Insert (4) Long Bolt (H) with washers from triangle blocks under chair seat into pre-installed insert nuts located on legs of Rear Leg Panel (B) using Allen Key (G). Insert (1) Short Bolt (I) with washers from pre-drilled hole located between the two triangle blocks into pre-installed insert nuts located on the Rear Leg Panel (B). Do not fully tighten.



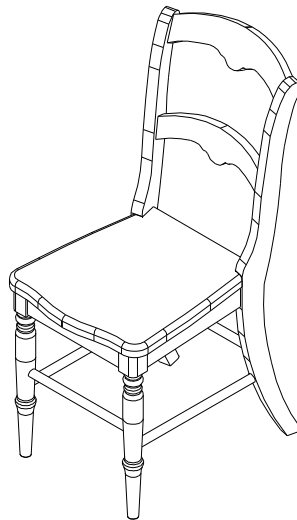
- Attach Side Stretcher (F) to cut-outs located on the rear legs with pocket holes on the stretchers face toward leg bottoms. Use (2) Wood Screw to secure by a Philips Head Screw Driver (not included). Do not fully tighten.



4. Align pre-drilled holes on the assembled front legs to the other ends of the Side Stretchers. Insert (4) Short Bolt (I) with washers from triangle blocks under chair seat into pre-installed insert nuts located on the front legs using Allen Key (G). Use (2) Wood Screw (L) to secure by a Philips Head Screw Driver (not included). Check alignments before tightening all connecting bolts and screws.



5. Assembly completes. Upright the assembled chair to use.



Care Instructions:

- Dust often using a clean, soft, dry and lint-free cloth.
- Blot spills immediately and wipe with a clean, damp, cloth.
- We do not recommend the use of chemical cleansers, abrasives or furniture polish on our lacquered finish.
- Hardware may loosen over time. Periodically check to make sure all connections are tight. Re-tighten if necessary.

Thank you for your purchase
Stores | catalog | www.potterybarnkids.com
USA 1.800.290.8181