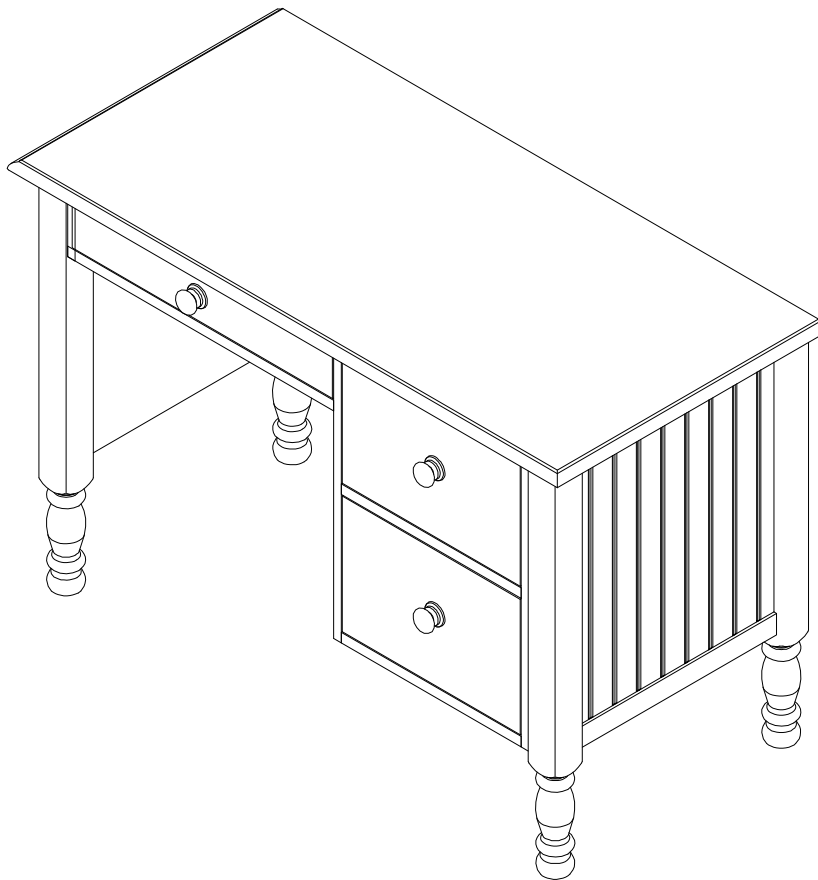


pottery barn kids CATALINA STORAGE DESK

PRE-ASSEMBLY:

- Please read all instructions before beginning assembly.
- For your safety and ease, assembly by two adults is recommended.
- Remove all parts and hardware from box and lay out on a carpeted or scratch-free work surface, as this will avoid damaging any parts during assembly. The shipping box provides an ideal work surface.
- Do not dispose of any contents until assembly is completed to avoid accidentally discarding small parts or hardware.
- Use the parts and hardware lists to identify and separate each of the pieces included.
- Note: Do not fully tighten all bolts until all parts are in place. Failure to follow these instructions may cause the bolts to misalign during assembly.
- The use of power tools for assembly is not recommended. Power tools can damage hardware or split wood.



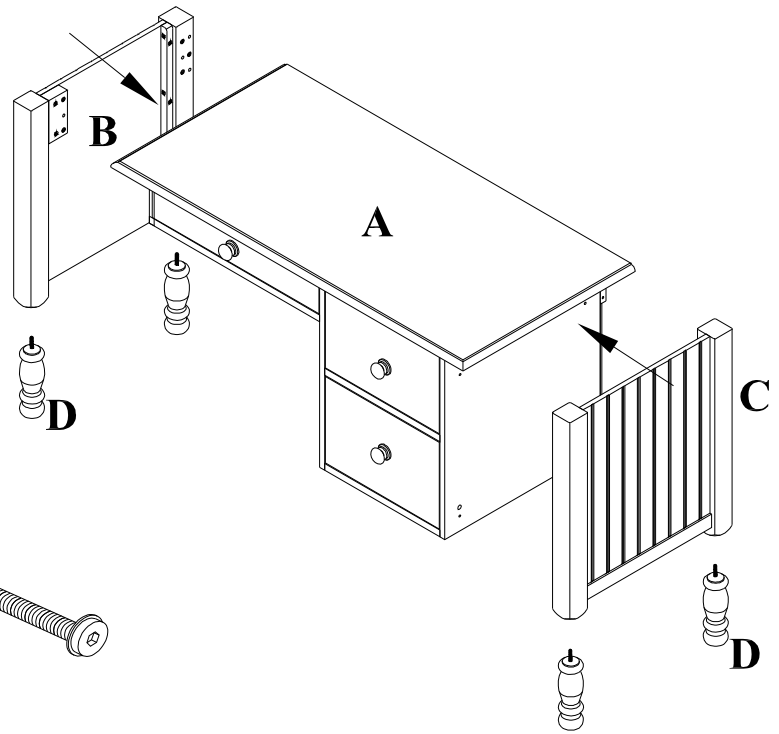
PARTS INCLUDED:

Top - 1 pc - A

Left End Panel - 1 pc - B

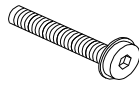
Right End Panel - 1 pc - C

Turning Legs - 4 pcs - D



HARDWARE INCLUDED:

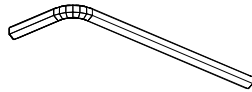
(E) M6 x 25 mm Bolts - 8 pcs



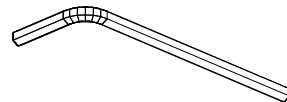
(F) M6 Lock washers - 8 pcs



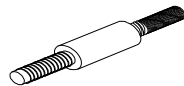
(G) Allen key(4mm) - 1 pc



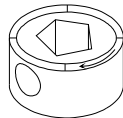
(H) Allen key(6mm) - 1 pc



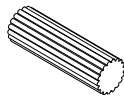
(I) Cam stud- 2 pcs



(J) Cam house- 2pcs



(K) Dowel - 10pcs



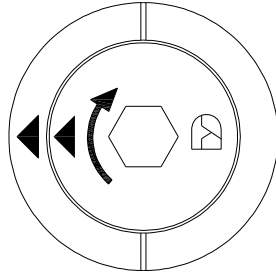
TOOL REQUIRED :

Philliphead screw driver (not include)

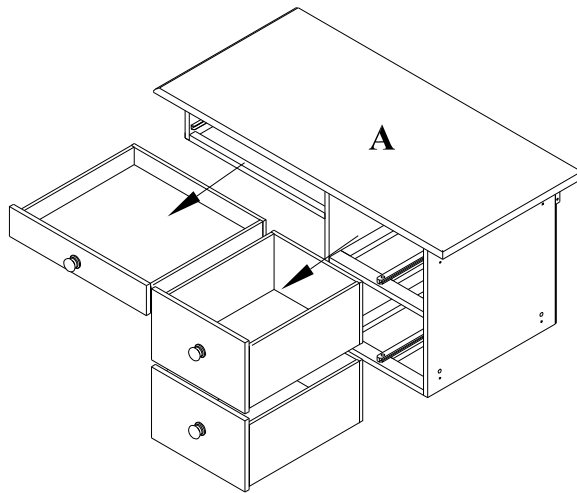


ASSEMBLY INSTRUCTIONS

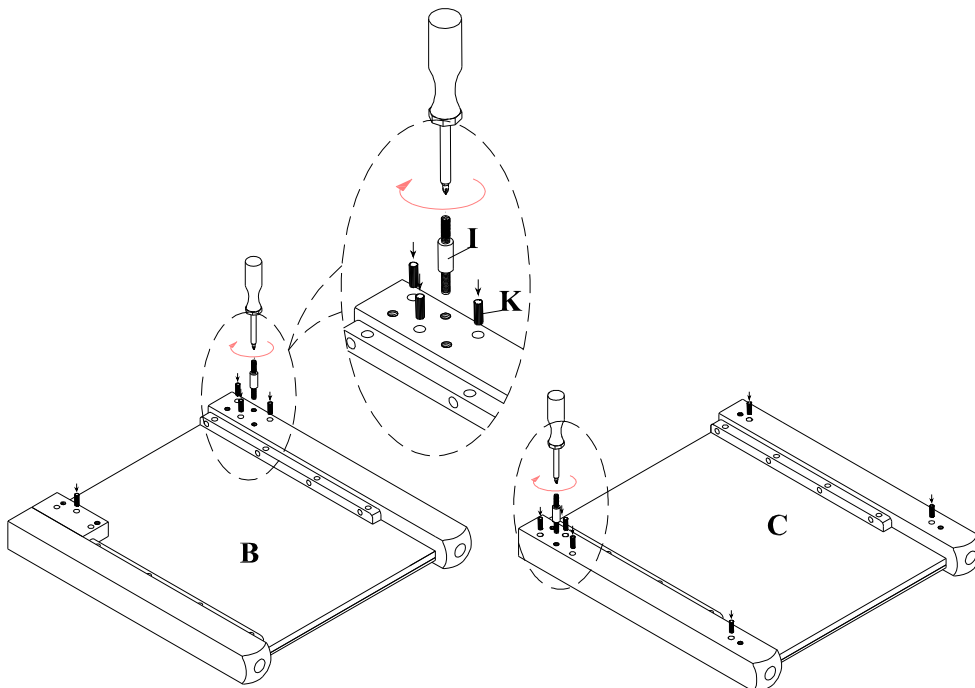
Note: align inner arrow at center of cam houses with outer arrow of cam prior to insertion into the countersunk.



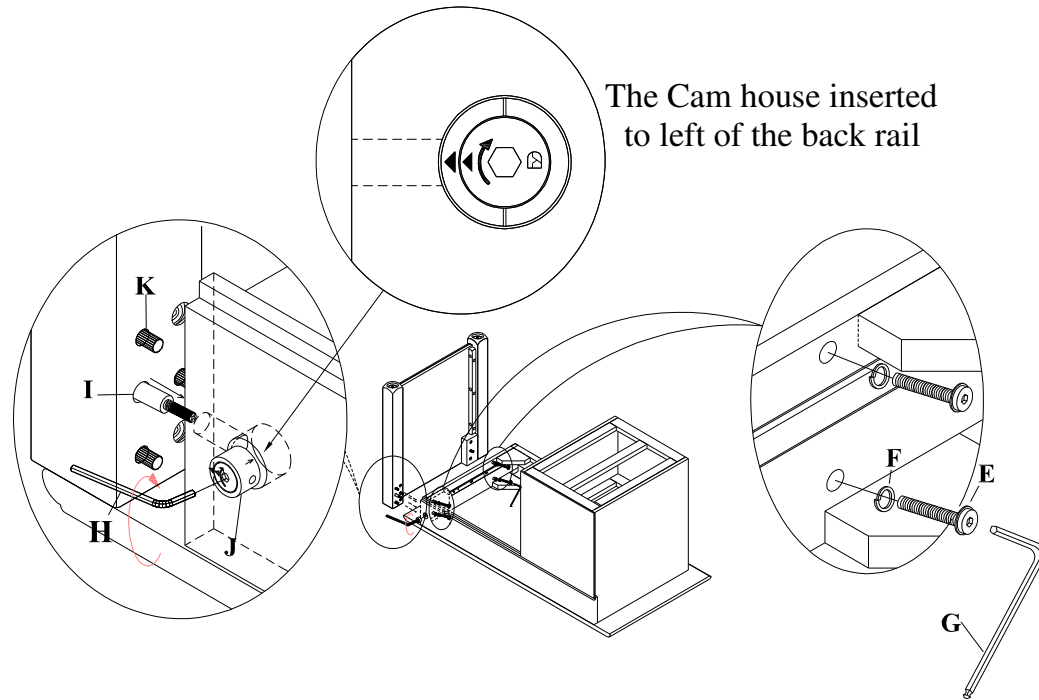
1. Put all furniture parts on a soft, scratch free surface such as a carpet or rug. Remove drawers from Top(A) as shown below.



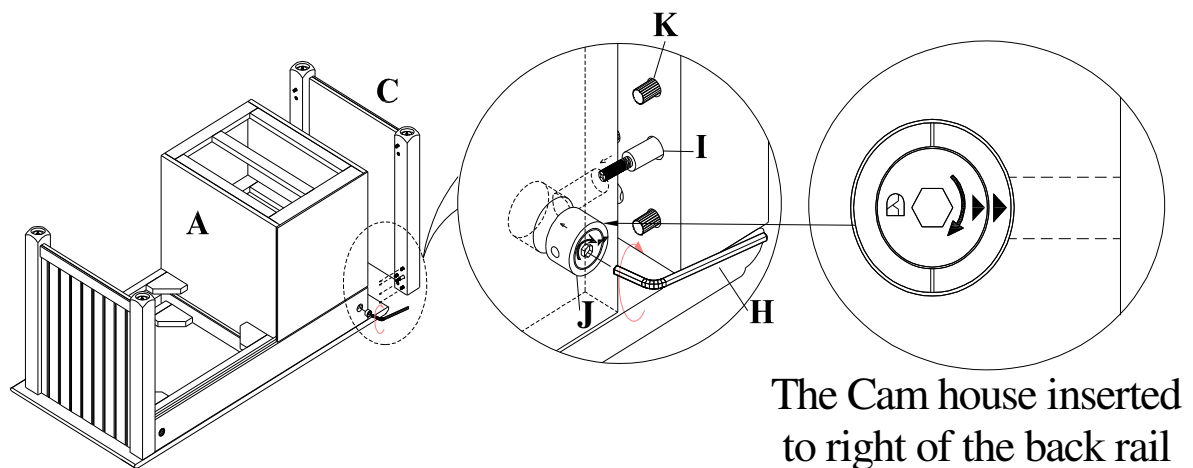
2. Insert Dowels (K) and Cam Studs (I) to Left & Right End Panels (B&C) as shown below.



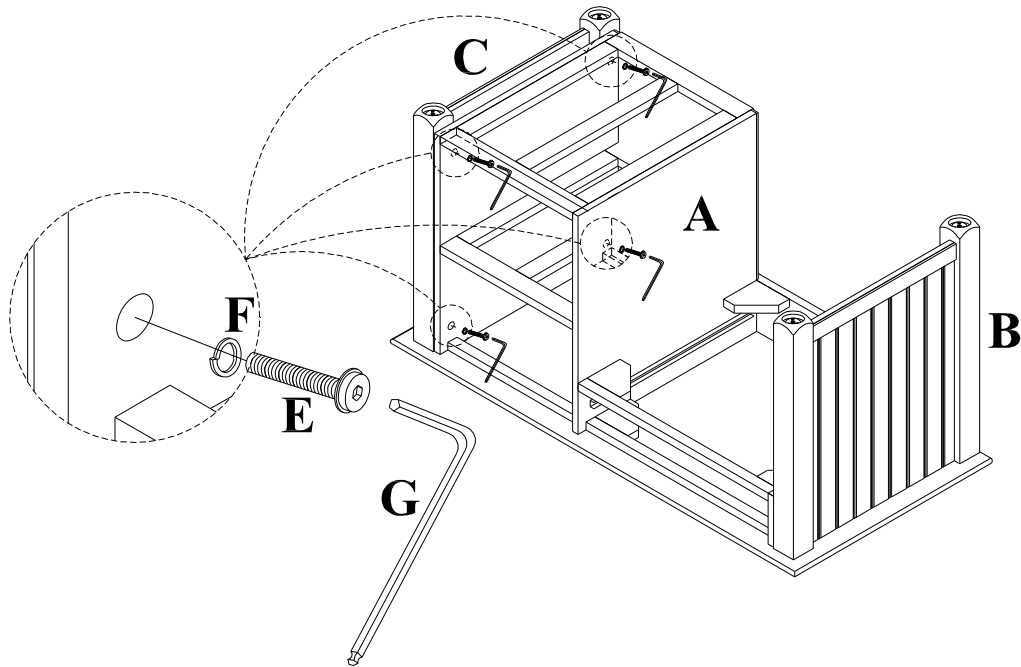
3. Lay Desk Top(A) upside down. Put a Cam House (J) into notch at the back of back rail, ensure arrows on the cam house pointing at pre-drilled hole in the notch for cam house. Align wooden dowels and Cam Stud on Left End Panel (B) with pre-drilled holes in under top frame of the desk top, tighten cam house with Allen Key (H) as shown below. Put a lock washer (F) onto **EACH** Bolt (E), insert the bolts with lock washers (F) through pre-drilled holes at under-top frame into metal inserts into the left end panel, tighten bolts with Allen Key (G) when they all in place.



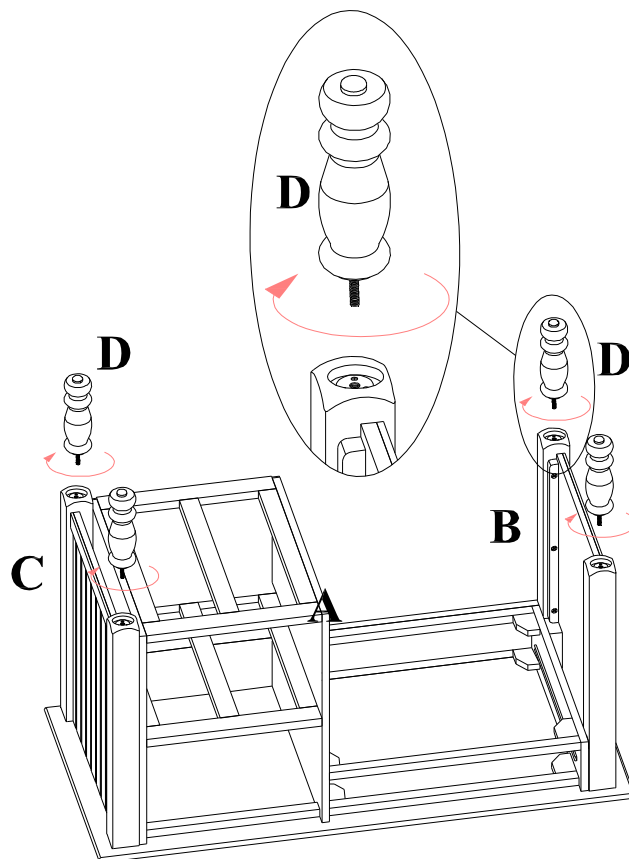
4. Put a Cam House (J) into notch at the other end of back rail, ensure arrows on the cam house pointing at pre-drilled hole in the notch for cam house. Align wooden dowels and Cam Stud on Right End Panel (C) with pre-drilled holes in end panel of the desk top drawer compartment, tighten cam house with Allen Key (H) as shown below.



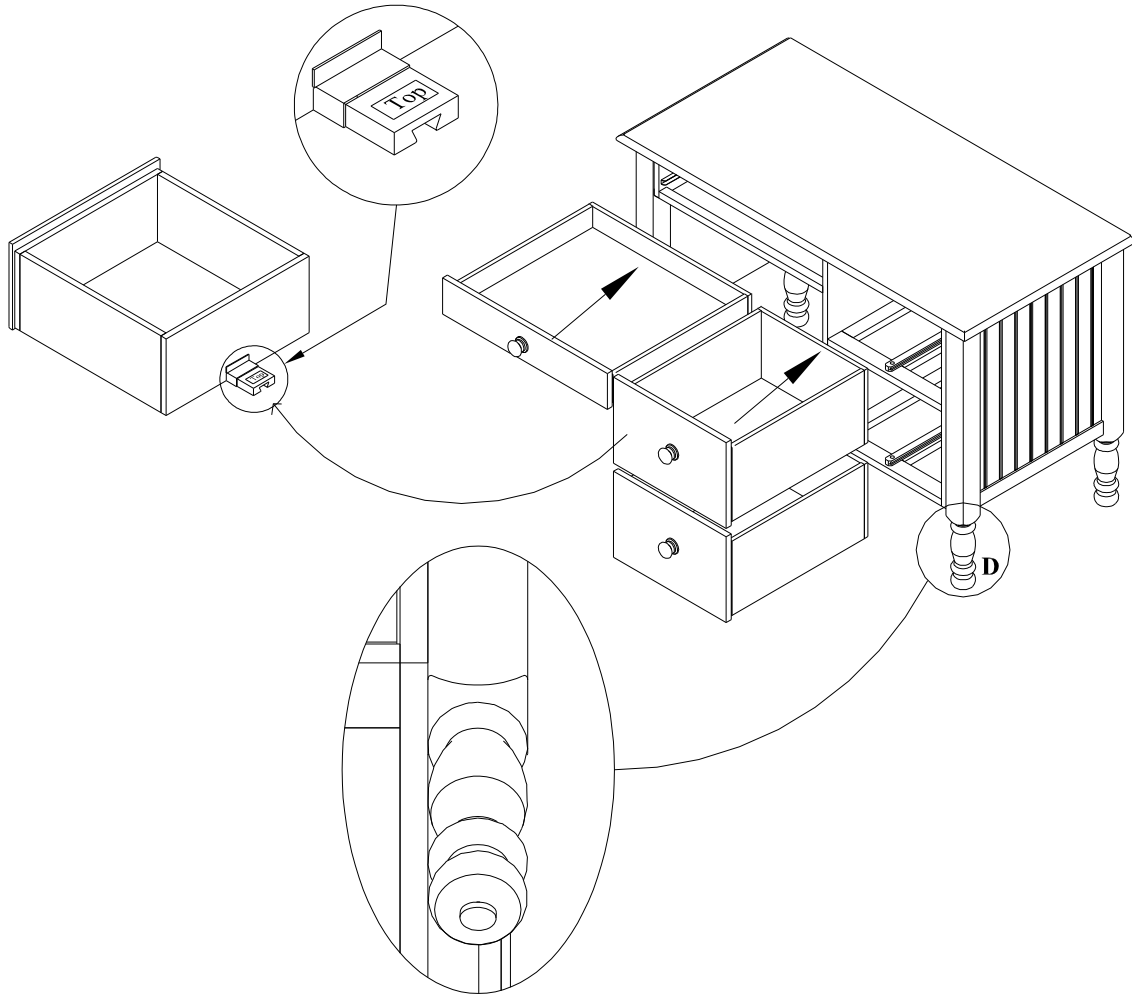
5. Insert Bolts (E) with lock washers (F) through pre-drilled holes from inside end panel of drawer compartment into metal inserts in right end panel (C), tighten bolts with Allen Key (G) when they all in place.



6. Attach Turning Legs (D) to Left and Right End Panels (B&C) as shown below.



7. Slowly turn the Storage desk upright with a helper and place the drawers back, please look the back of drawer boxes and put the one labeled with **top** to the top right compartment. Adjust levelers under legs to balance the desk if necessary.



CARE INSTRUCTIONS:

- Dust often using a clean, soft, dry lint-free cloth.
- Blot spills immediately, and wipe with a clean, damp, cloth.
- We do not recommend the use of chemical cleansers, abrasives or furniture polish.

Thank you for your purchase
stores | catalog | www.potterybarnkids.com
USA 1.800.290.8181