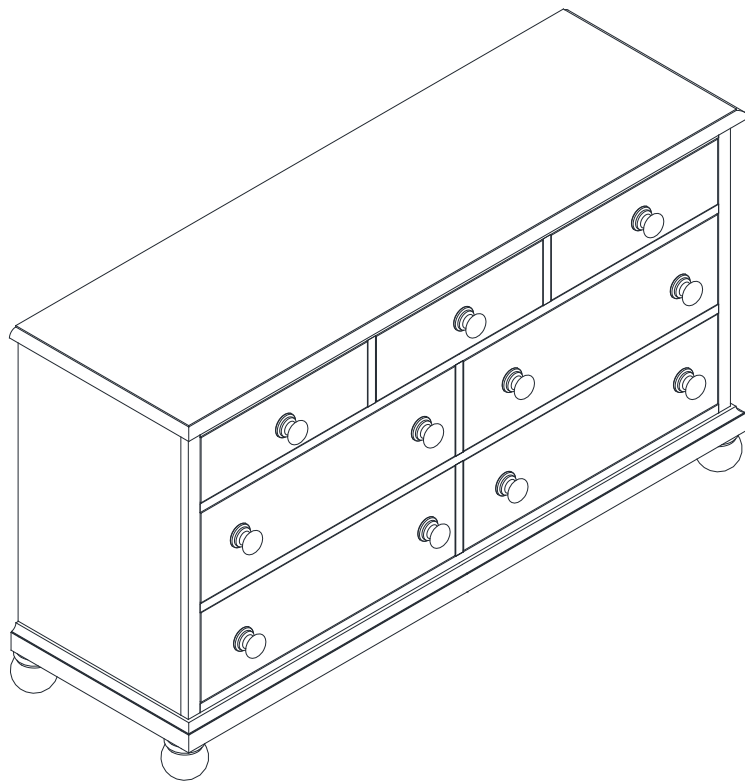


# pottery barn kids

## CATALINA EXTRA WIDE DRESSER

### ASSEMBLY INSTRUCTIONS



[www.potterybarnkids.com](http://www.potterybarnkids.com)

**Important Safety Instructions:**

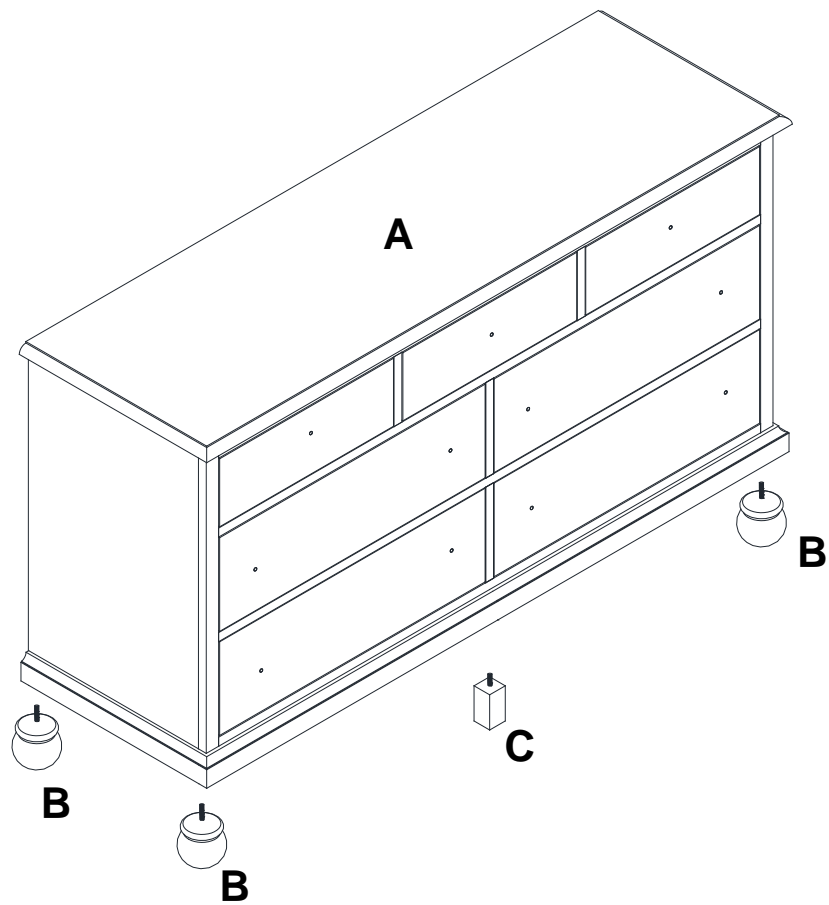
- Please read all instructions carefully before assembling.
- For your safety, assembly by two or more adults is strongly recommended.
- Keep instructions for future use.
- Use only vendor supplied hardware to assemble. Using unauthorized hardware could jeopardize the structural integrity of the item.

**Pre-assembly:**

- Remove all parts and hardware from the box and lay out on a clear carpeted or scratch-free work surface, as this will avoid damaging parts during assembly. The shipping box provides an ideal work surface.
- Do not dispose of any packaging or contents of the shipping carton until assembly is completed to avoid accidentally discarding small parts or hardware.
- Use the parts and hardware lists below to identify and separate each of the pieces included.
- The illustrations provided allow for easier assembly when used in conjunction with the assembly instructions.
- The use of power tools to aid in assembly is not recommended. Power tools can damage hardware and split wood.

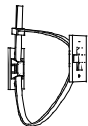
**Parts Included:**

- (A) Assembled Body - 1 pc
- (B) Bun feet - 4 pcs
- (C) Middle feet - 1 pc



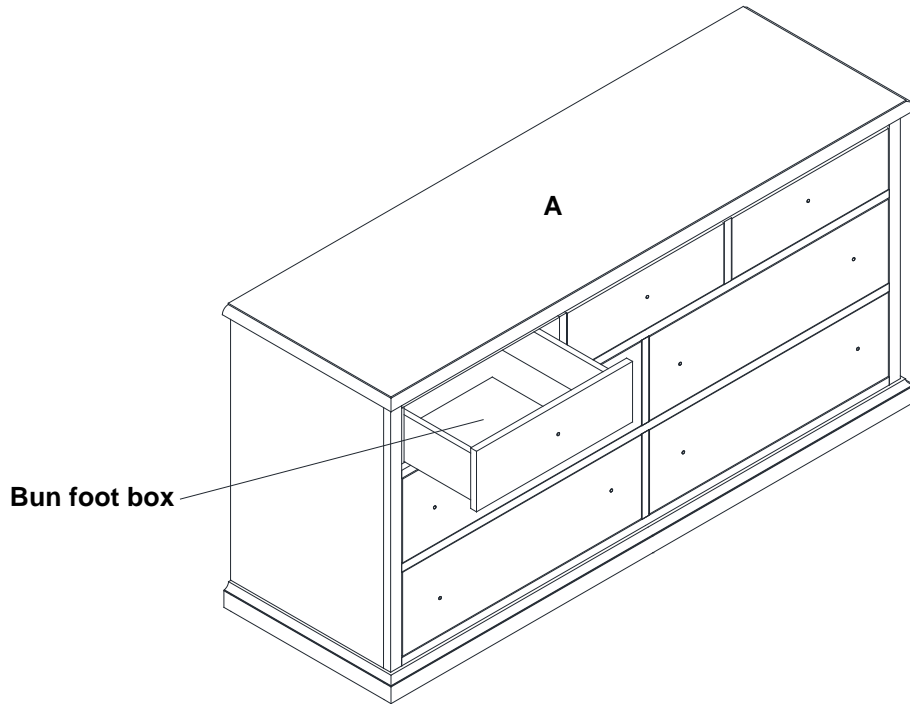
**Hardware Required:**

(D) Tipping-Restraint Kits – 1set

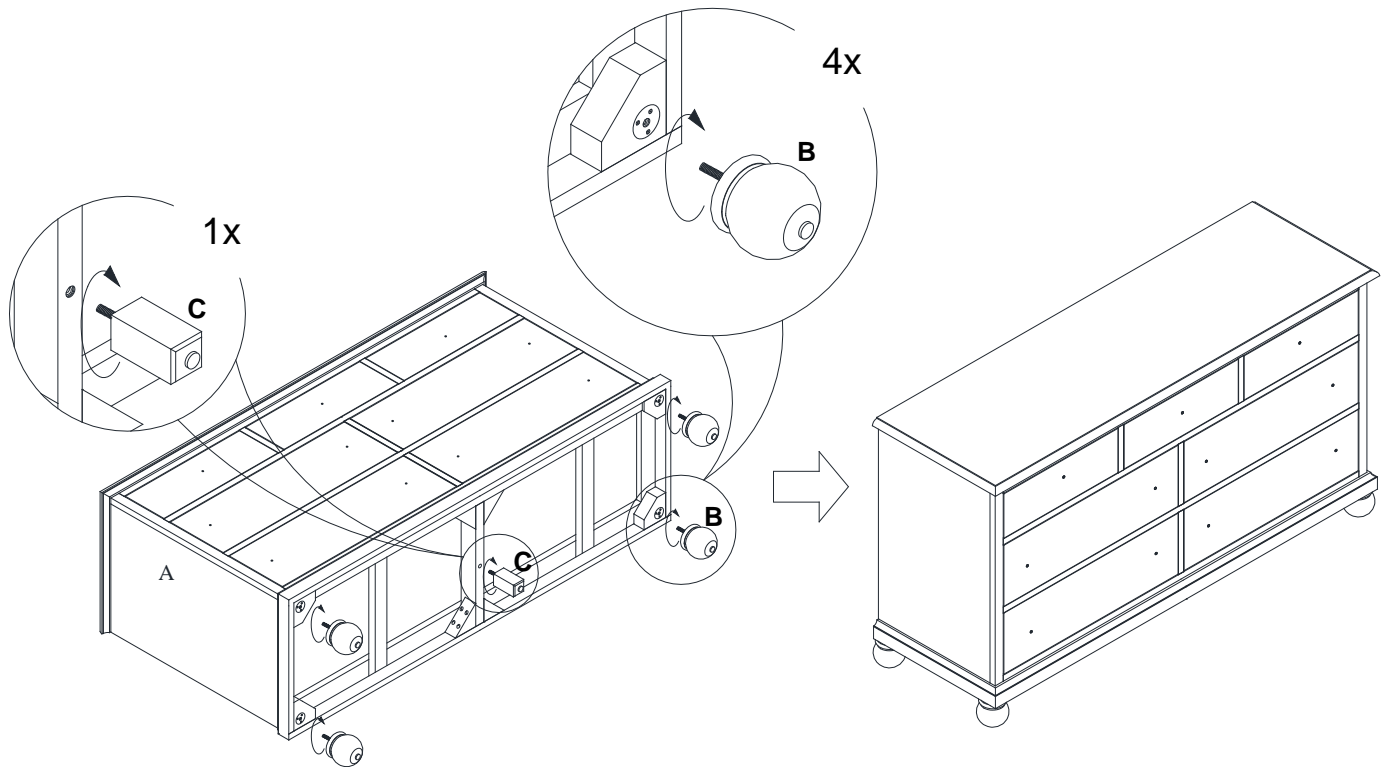


**Assembly Instruction Steps:**

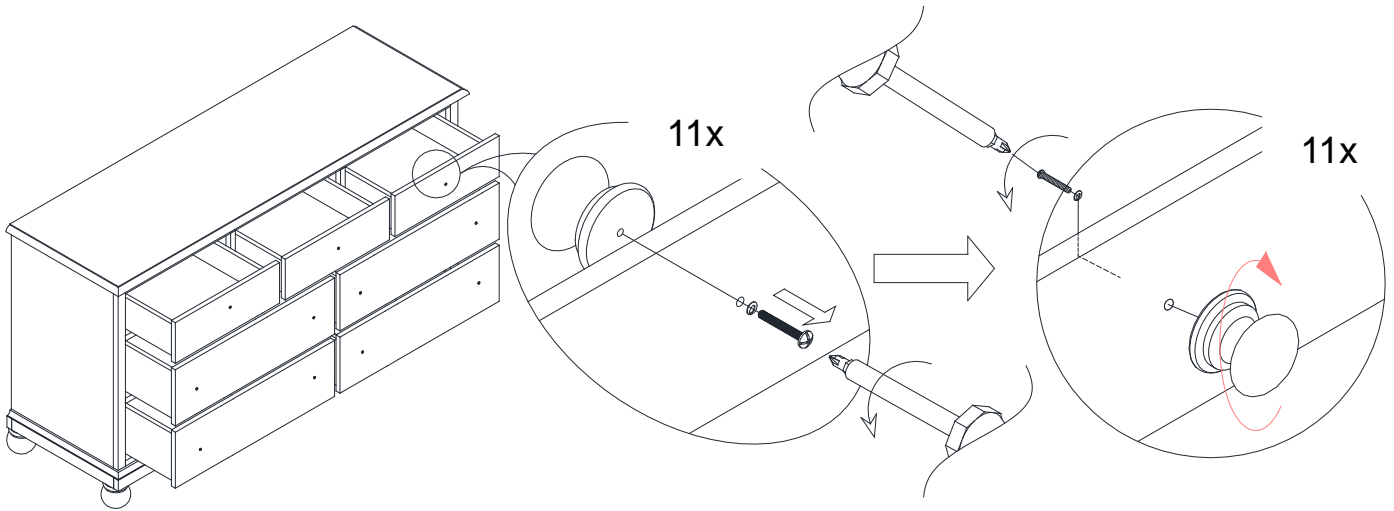
1. Remove Bun foot box out of the drawer first.



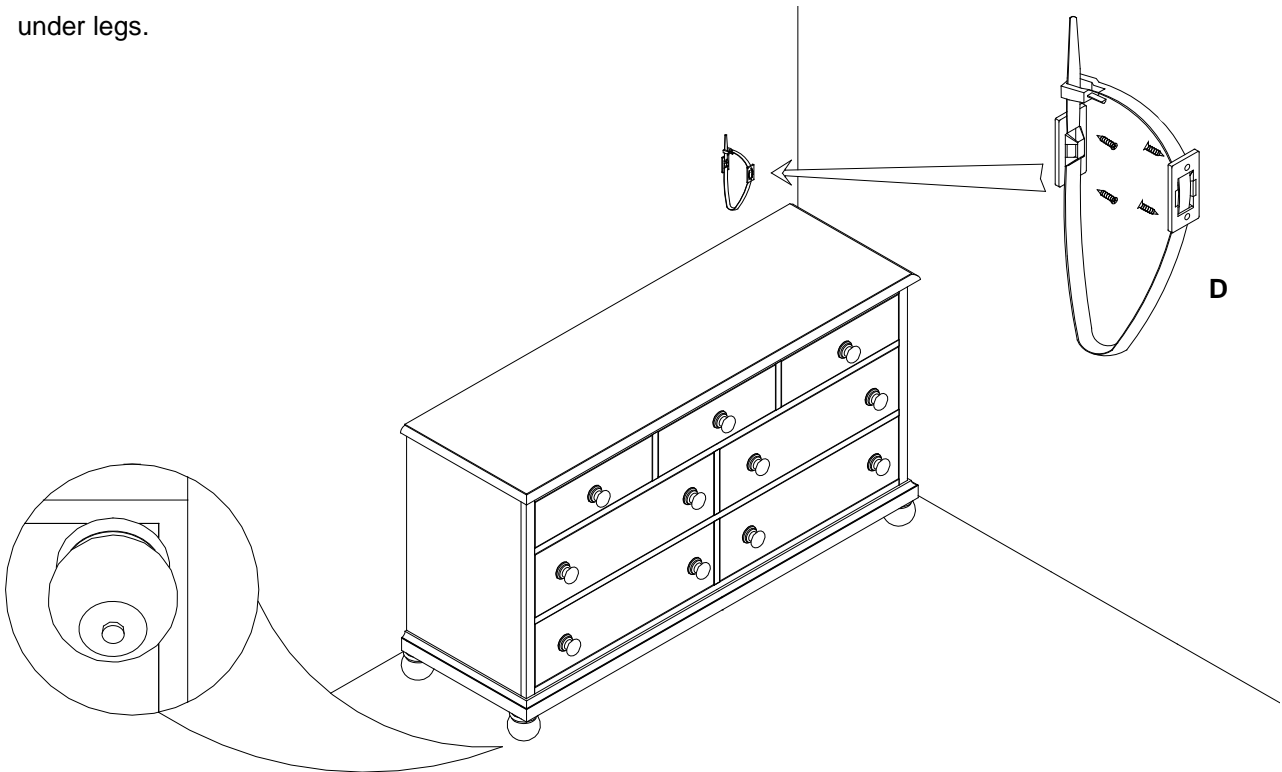
2. Lay the Catalina Extra Wide Dresser (A) down into soft flat surface. Assembly the Bun feet (B) and middle feet (C) into Catalina Extra Wide Dresser and tighten them. Place extra wide dresser into stand up position.



3. Remove knobs from each inside drawer, attach knobs to the drawer use screws.



4. As a safety precaution, please follow the separate instruction enclosed to secure the Catalina Extra Wide Dresser to the wall using Tipping-Restraint Kits (D). If the dresser doesn't sit level, please adjust the levelers under legs.



**Care Instructions:**

- Dust often using a clean, soft, dry and lint-free cloth.
- Blot spills immediately and wipe with a clean, damp, cloth.
- We do not recommend the use of chemical cleansers, abrasives or furniture polish on our lacquered finish.
- Hardware may loosen over time. Periodically check to make sure all connections are tight.  
Re-tighten if necessary.

Thank you for your purchase  
Stores | catalog | [www.potterybarnkids.com](http://www.potterybarnkids.com)  
USA 1.800.290.8181