

# pottery barn kids

## CAMERON CORNER BASE

### IMPORTANT SAFETY INSTRUCTIONS:

Please read all instructions carefully before assembling.  
For your safety, assembly by two people is recommended.

### PARTS INCLUDED:

- (1) Top Panel (A)
- (1) Bottom Panel (B)
- (2) Front Side Panel (C)
- (2) Back Side Panel (D)
- (2) Inner Panel (E)
- (1) Back Panel (F)

### HARDWARE ENCLOSED:

- (1) Allen Key (G)
- (20) ¼" x 30mm Allen Bolts (H)
- (20) ¼" Spring Washer (I)
- (20) ¼" Flat Washer (J)

### TOOLS REQUIRED FOR ASSEMBLY:

- (1) Allen Key, included (G)

### PRE-ASSEMBLY:

- Remove all parts and hardware from the box and lay out on a clear carpeted or scratch-free work surface. (The shipping box provides an ideal work surface), this will avoid damaging any parts during assembly. Do not dispose of any contents until assembly is completed to avoid accidentally discarding small parts or hardware.
- Use the parts and hardware lists above to identify and separate each of the pieces included.
- The illustrations provided allow for easier assembly when used in conjunction with the assembly instructions.
- Note: Do not fully tighten all bolts until all parts are in place. Failure to follow these instructions may cause the bolts to misalign during assembly.
- If using power tools to aid in assembly please use caution. Power tools can damage hardware or split wood.

### ASSEMBLY INSTRUCTIONS:

1. Carefully attach the (2) Front Side Panels (C) to the (2) Back Side Panels (D).
2. Place these assembled panels onto the (1) Top Panel (A) using (8) Allen Bolts, Flat Washers & Spring Washers to secure. Place (2) Inner Panel (E) on the Top Panel (A) using (4) Allen Bolts, Flat Washers & Spring Washers to secure. Note: The correct order for the washers to go on the Allen Bolt is: Spring Washer first, Flat Washer second. Please see diagram.
3. Reverse the product and lay the Top panel on the floor. Slide the Back Panel (F) into the slots on the backside of the Side Panels.
4. Set the Bottom Panel (B) on the already assembled pieces and attach with remaining (4) Allen Bolts, Flat Washers & Spring Washers. Then reverse the product to complete the assembly.

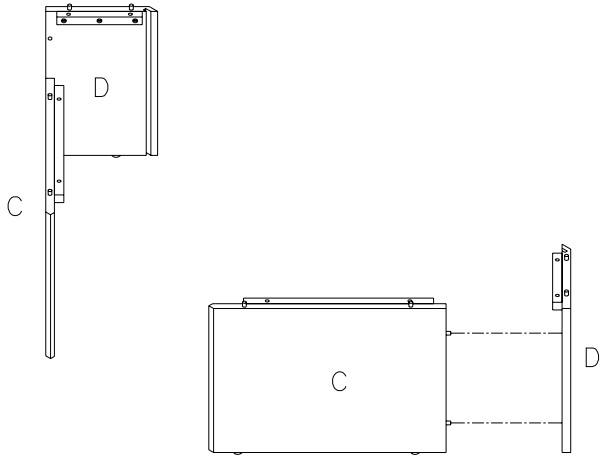
### CARE INSTRUCTIONS:

- Dust with a clean, soft cloth.
- Avoid the use of chemicals and harsh cleaning agents.
- Do not stand on the base.

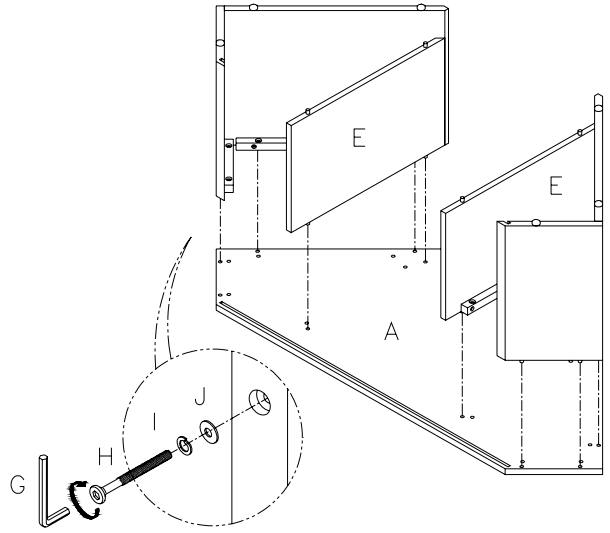
Thank you for your purchase.

stores | catalog | [www.potterybarnkids.com](http://www.potterybarnkids.com)

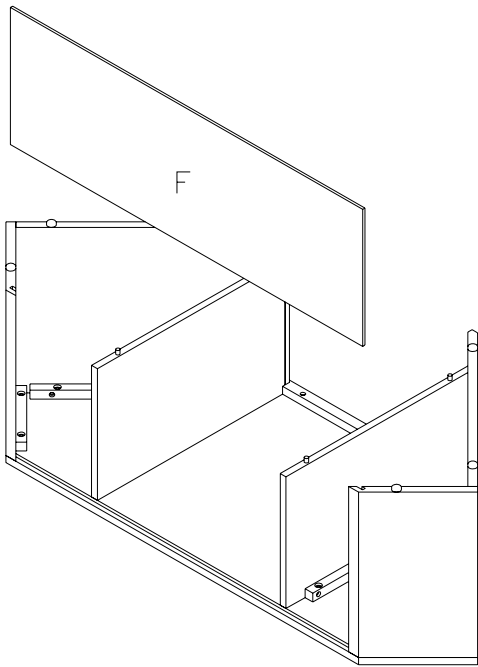
1.



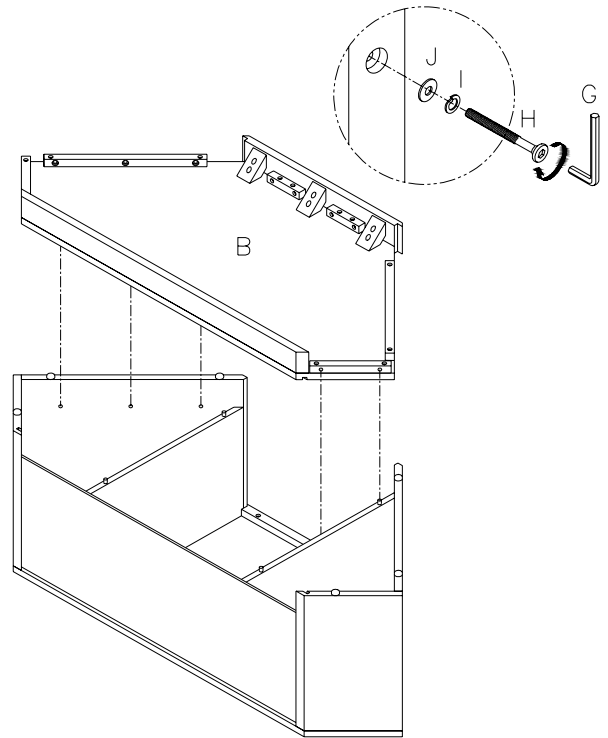
2.



3.



4.



# pottery barn kids

## CAMERON CORNER CUBBY

### IMPORTANT SAFETY INSTRUCTIONS:

Please read all instructions carefully before assembling.  
For your safety, assembly by two people is recommended.

#### PARTS INCLUDED:

- (1) Top Panel (A)
- (1) Bottom Panel (B)
- (2) Front Side Panel (C)
- (2) Back Side Panel (D)
- (1) Long Shelf Panel (E)
- (1) Short Shelf Panel (E-1)
- (1) Back Panel (F)

#### HARDWARE ENCLOSED:

- (1) Allen Key (G)
- (16) ¼" x 30mm Allen Bolts (H)
- (16) ¼" Spring Washer (I)
- (16) ¼" Flat Washer (J)
- (16) ¼"x 12mm Wood Screws (K)
- (1) Square Connecting Bracket (L)
- (2) T-shaped Connecting Bracket (M)

#### TOOLS REQUIRED FOR ASSEMBLY:

- (1) Allen Key
- (1) Screw Driver

#### PRE-ASSEMBLY:

- Remove all parts and hardware from the box and lay out on a clear carpeted or scratch-free work surface. (The shipping box provides an ideal work surface), this will avoid damaging any parts during assembly. Do not dispose of any contents until assembly is completed to avoid accidentally discarding small parts or hardware.
- Use the parts and hardware lists above to identify and separate each of the pieces included.
- The illustrations provided allow for easier assembly when used in conjunction with the assembly instructions.
- Note: Do not fully tighten all bolts until all parts are in place. Failure to follow these instructions may cause the bolts to misalign during assembly.
- If using power tools to aid in assembly please use caution. Power tools can damage hardware or split wood.

#### ASSEMBLY INSTRUCTIONS:

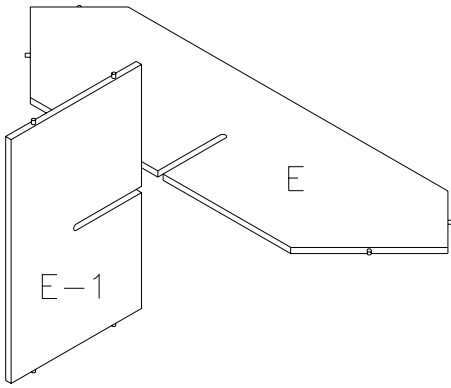
1. Carefully cross Long Shelf Panel (E) with Short Shelf Panel (E-1) as shown. It is very important for later assembly to make sure Long Shelf Panel runs vertically as shown in Step #1
2. Attach (2) Front Side Panel (C) to already assembled Shelf Panels.
3. Repeat step for (2) Back Side Panel (D) as shown on step #3.
4. Place already assembled Shelf and Side Panels on Bottom Panel (B) as shown using (8) Allen Bolts, Flat Washers & Spring Washers. Note: The correct order for the washers to go on the Allen Bolt is: Spring Washer first, Flat Washer second. Please see diagram.
5. Slide the Back Panel (F) into place along the notches built into the design of the piece.
6. Set the Top Panel (A) on the already assembled pieces. Attach with remaining (4) Allen Bolts, Flat Washers & Spring Washers.
7. If connecting Corner Cubby piece to Corner Base piece use (12) Screws (K) and (2) T-Shaped Connecting Brackets (M) as shown. Screws are self-drilling and are designed to go into wood easily.
8. If connecting Wall System Cubby to Corner Cubby piece use (4) Screws (K) and (1) Square Connection (L) as shown.

#### CARE INSTRUCTIONS:

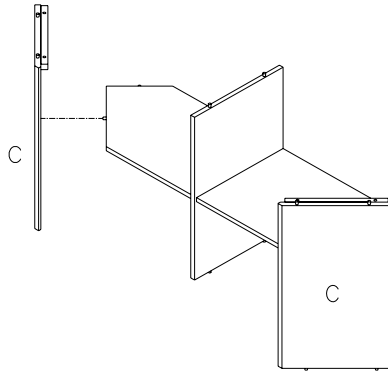
- Dust with a clean, soft cloth.
- Avoid the use of chemicals and harsh cleaning agents.
- Do not stand on the base.

Thank you for your purchase.

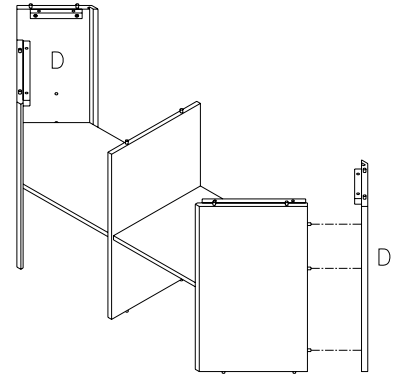
1.



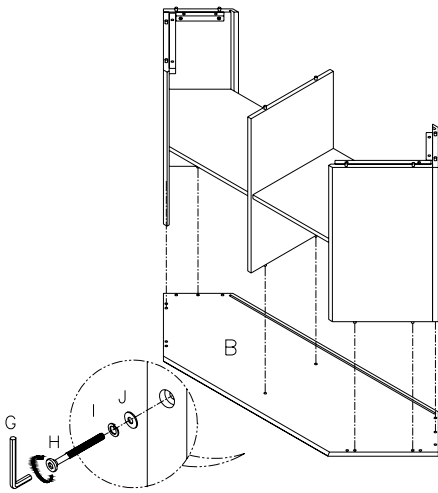
2.



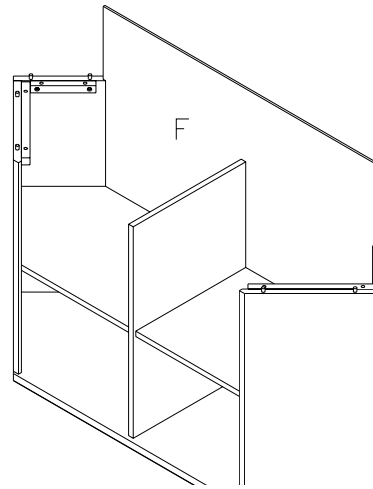
3.



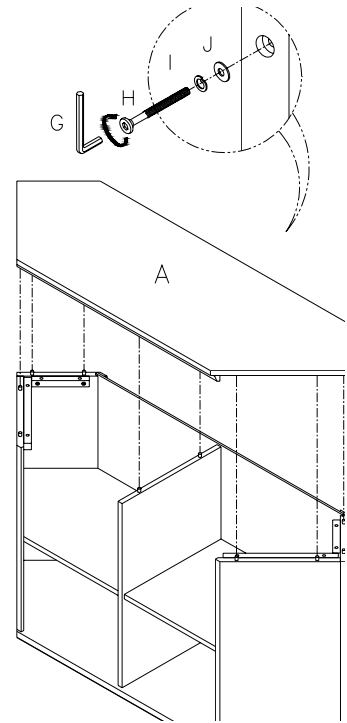
4.



5.



6.



7.

