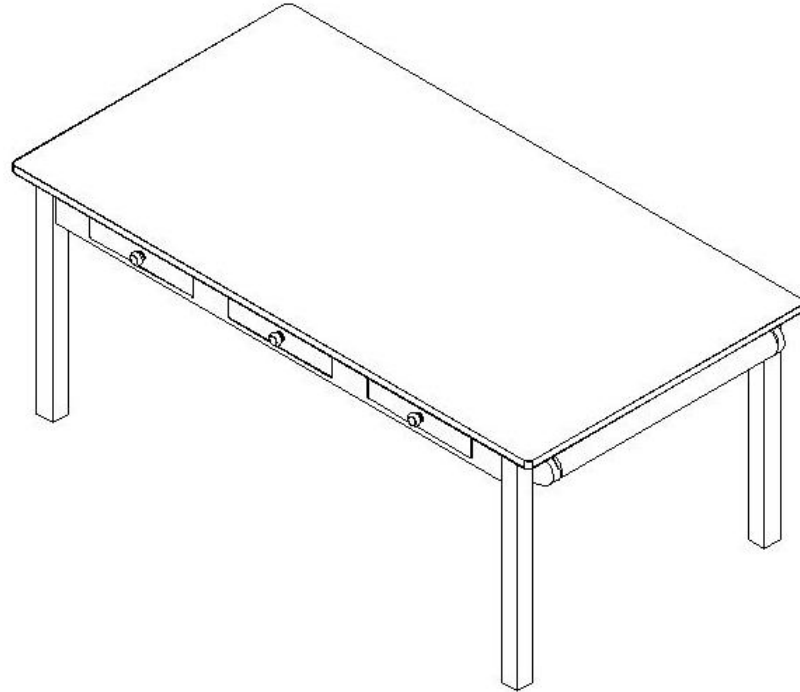
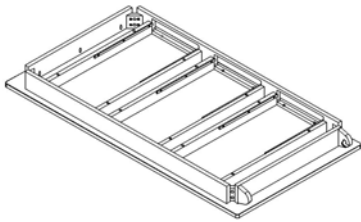


# pottery barn kids carolina craft table

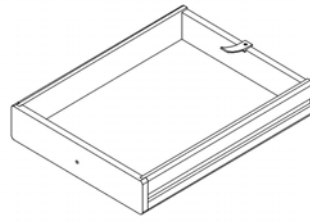


Caution – Assembly required. Please read this assembly instruction carefully before beginning. Please take care when unpacking the item. Make sure all pieces are present. Use caution when using power tools to aid in assembly. Power tools can split wood or strip hardware if not used carefully.

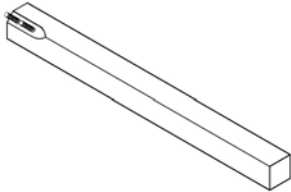
## PARTS INCLUDED:



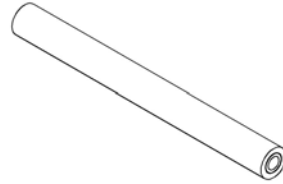
(1) table top – A



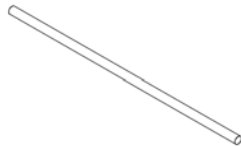
(3) drawer - B



(4) table legs –C



(1) paper roll - D

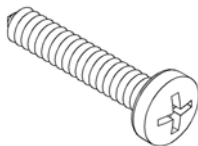


(1) paper roll holder – E



(3) drawer knob –F

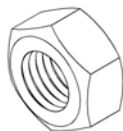
## Hardware list



(3) drawer knob screw – G



(1) key wrench



(8) nut



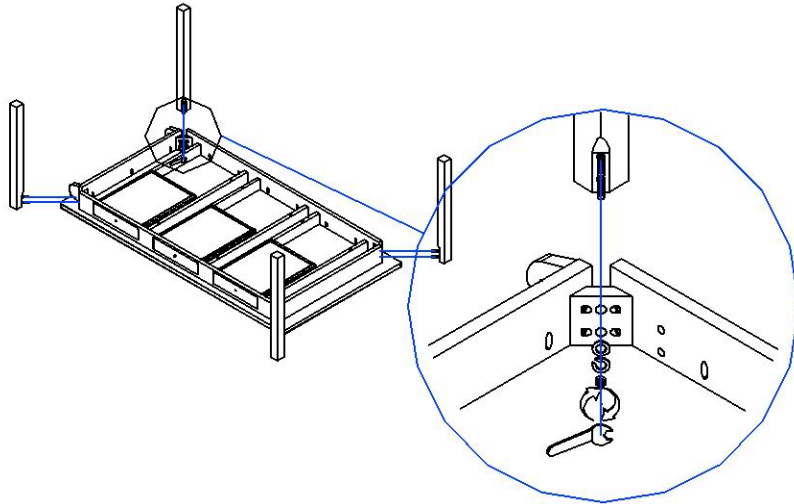
(8) washer



(8) spring washer

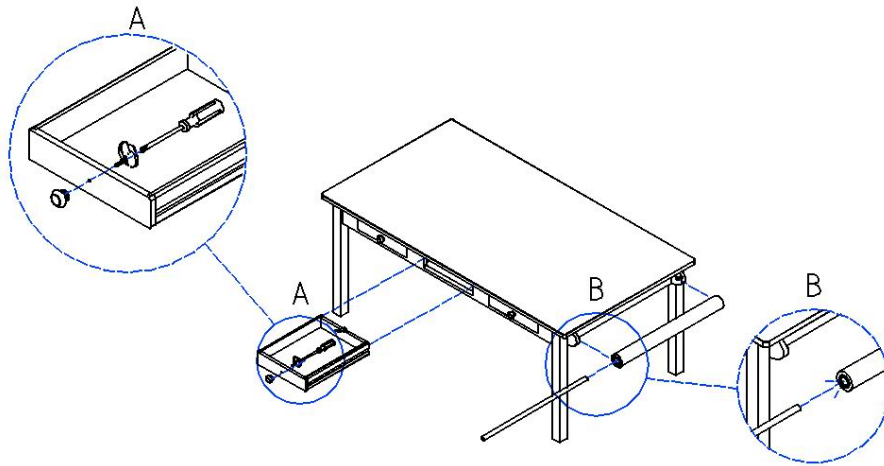
## ASSEMBLY INSTRUCTIONS:

### Step 1



1. Begin by placing the table top upside down and insert legs into predrilled hole at each corner. Place 1 washer, *then* 1 spring washer and *then* 1 nut onto each leg bolt in this order. Tighten (clock wise) the nuts using the key wrench

## Step 2



Remove the drawer knob from the inside drawer and place the drawer knob onto the front of drawer. Tighten screw to the knob by using screwdriver, indicated by A in the picture

Insert the paper roll holder into the paper roll and place onto the arm of the table as shown.

### CARE:

Dust often with a soft, dry cloth.

Thank you for your purchase.

