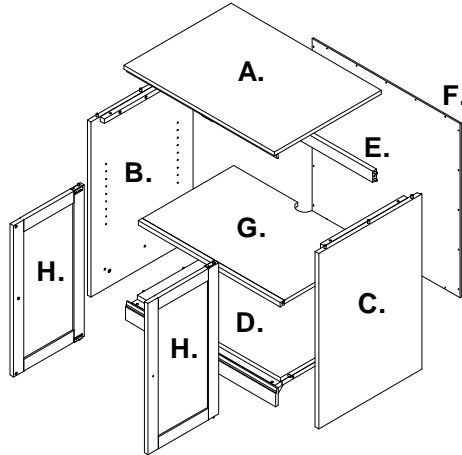


pottery barn kids

Cameron Counter Cabinet Base

PRE-ASSEMBLY:

- For your safety and ease, assembly by two adults is recommended.
- Please read all instructions before beginning assembly. The illustrations provided allow for easier assembly when used in conjunction with the assembly instructions.
- Remove all parts and hardware from box and lay out on a carpeted or scratch-free work surface. The shipping box provides an ideal work surface. Do not dispose of any contents until assembly is completed to avoid accidentally discarding small parts or hardware.
- Use the parts and hardware lists to identify and separate each of the pieces included prior to starting assembly.
- Note: DO not fully tighten the bolts until all parts are in place. Failure to follow these instructions may cause the bolts to misalign during assembly.
- The use of power tools for assembly is not recommended. Power tools can damage hardware or split wood.



PARTS INCLUDED:









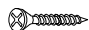



- (A) Top Panel – 1pc
- (B) Left Side Panel – 1pc
- (C) Right Side Panel – 1pc
- (D) Bottom Panel – 1pc
- (E) Rear Top Rail – 1pc
- (F) Back Panel – 1pc
- (G) Adjustable Shelf – 1pc
- (H) Door – 2pcs

TOOLS REQUIRED:

Philips Screwdriver (Not included)

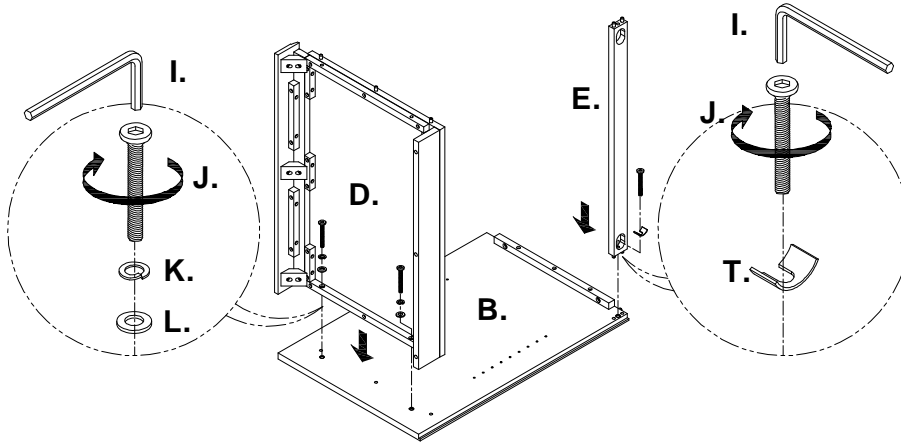


HARDWARE INCLUDED:

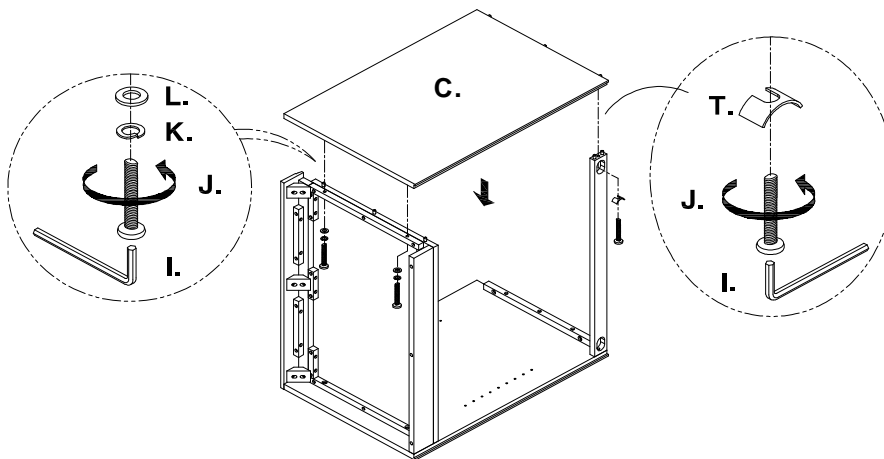
		
(I) Allen Key – 1pc	(J) Bolt 1/4" x 28mm – 10pcs	(K) Spring Washer – 8pcs
		
(L) Flat Washer – 8pcs	(M) Machine Screw 5/32" x 25mm – 2pcs	(N) Wood Knob – 2pcs
		
(O) Shelf Supporter – 4pcs	(P) Long Wood Screw 3.5 x 15mm – 20pcs	(Q) Short Wood Screw 3 x 12mm – 8pcs
		
(R) Connecting Bracket – 2pcs	(S) Plastic Cap – 4pcs	(T) Half-moon Washer – 2pcs

ASSEMBLY INSTRUCTIONS:

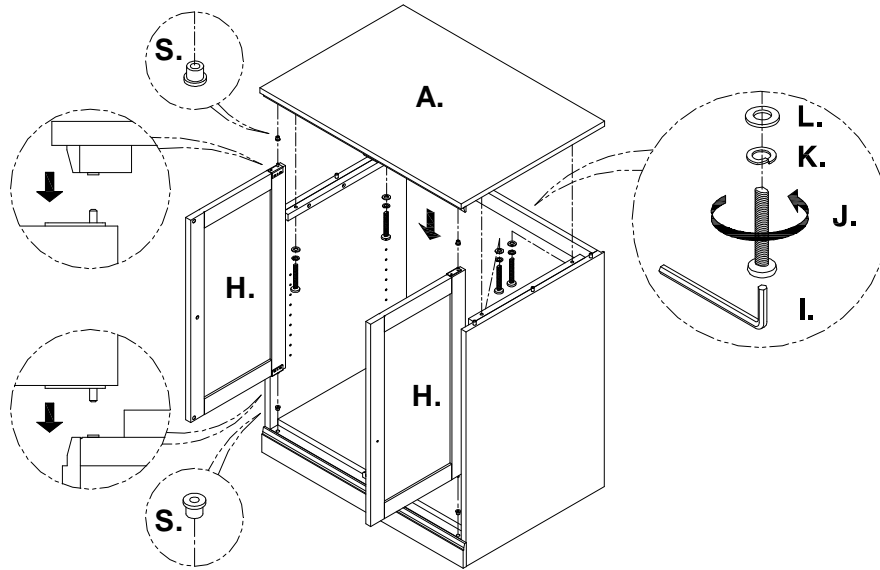
1. Connect the Bottom Panel (D) to the Left Side Panel (B). Slide a Spring Washer (K), Flat Washer (L) onto a Bolt (J). Insert the Bolt from wood cleat located on bottom of the Bottom Panel into the pre-drilled holes located on the Left Side Panel (B). Secure the Left Side Panel with (2) Bolts. Do not fully tighten.
2. Align and connect the wooden dowels located on the Rear Top Rail (E) to the pre-drilled holes located on the Left Side Panel (B). Place a Half-Moon Washer (T) onto the cut-out on the Rear Top Rail (E) and secure it with a Bolt (J).



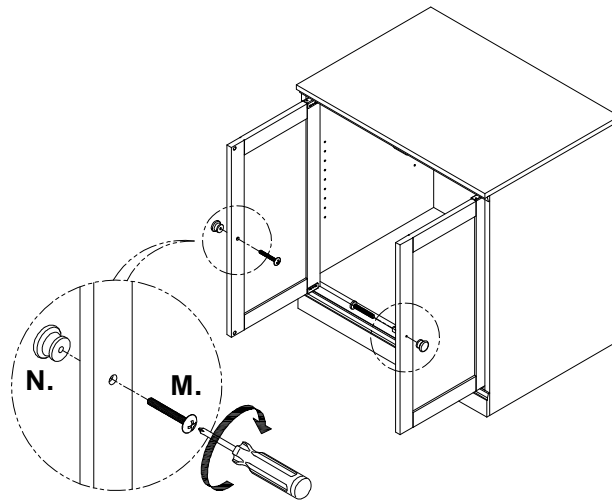
3. Repeat the above steps to secure the Right Side Panel (C) to the Bottom Panel and the Rear Top Rail. The Right Side Panel is secured to the Bottom Panel by (2) Bolts, (2) Spring Washer, (2) Flat Washer and secured to the Rear Top Rail by (1) Half-Moon Washer, (1) Bolt.



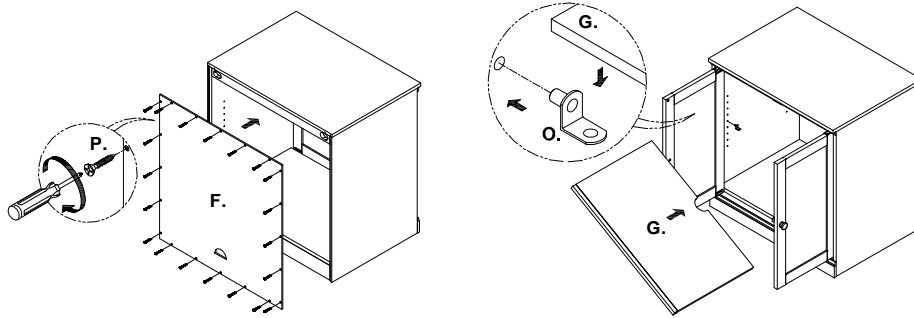
4. Turn the assembled piece upright. Place the Top Panel (A) on the assembled piece. Insert the Plastic Cap (S) into the pre-drilled holes on bottom of the Top Panel and the Bottom Panel.
5. Lift the Top Panel (A) a little bit to allow the hinges on the Doors (H) to go into the Plastic Caps (S). Check alignments and secure the Top Panel (A) to the Left/Right Side Panels by sliding a Spring Washer (K), Flat Washer (L) onto a Bolt (J) and inserting the Bolt into the fixed wood cleats located on inside of the left/Right Side Panels. The Top Panel is secured to the Left/Right Side Panel by (2) Bolts respectively. Check alignment before tightening all bolts.



6. Attach a Wood Knob (N) to outside of the left door and secure it using a Machine Screw (M). Repeat with the right door.

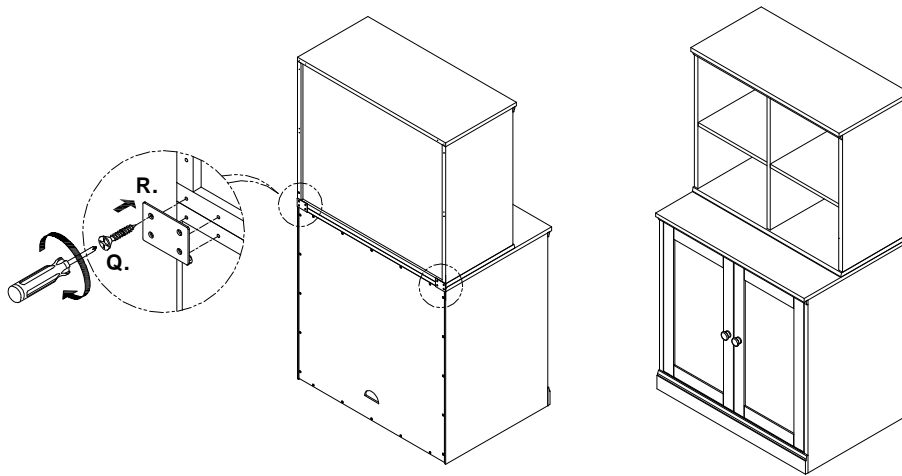


7. Attach the Back Panel (F) to the rear side assembled piece and secure it by using (20) Long Wood Screws (P).
8. Insert the (4) Shelf Supporter (O) into the pre-drilled holes on interior sides of the Left/Right Side Panels. Place the Adjustable Shelf onto the Shelf Supporters.



MENDING PLATE CONNECTIONS:

When connecting cubby piece (sold separately) to the Cabinet Base piece, use (2) Connecting Bracket (R) and (8) Short Wood Screws (Q).



CARE INSTRUCTIONS:

- Dust often using a clean, soft, dry lint-free cloth.
- Blot spills immediately, and wipe with a clean, damp, cloth.
- We do not recommend the use of chemical cleansers, abrasives, or furniture polish on our lacquered finish.

Thank you for your purchase.
 stores | catalog | www.potterybarnkids.com
 USA 1.800.290.8181