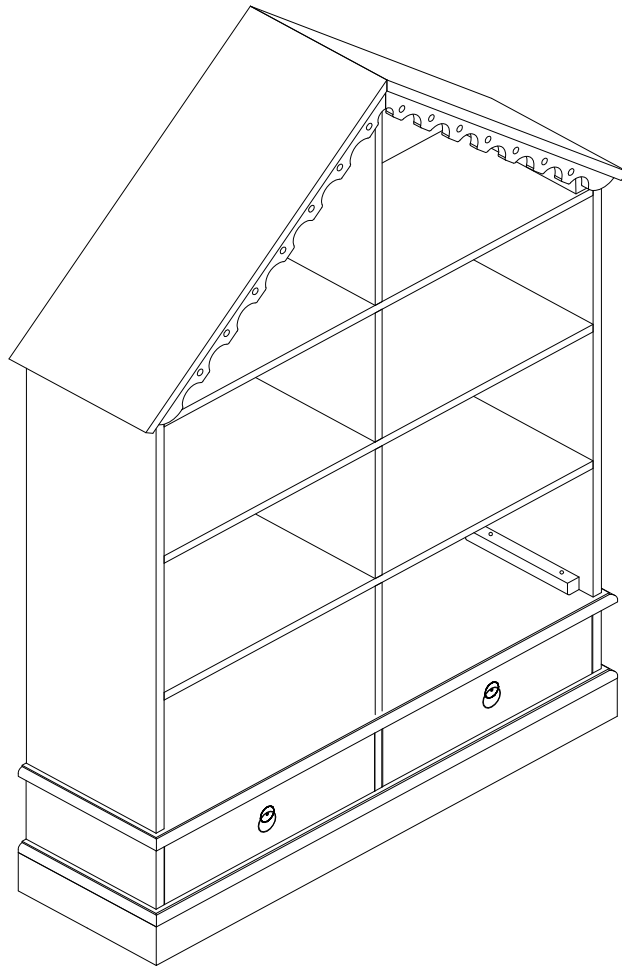


pottery barn kids



DOLLHOUSE BOOKCASE

Important Safety Instructions:

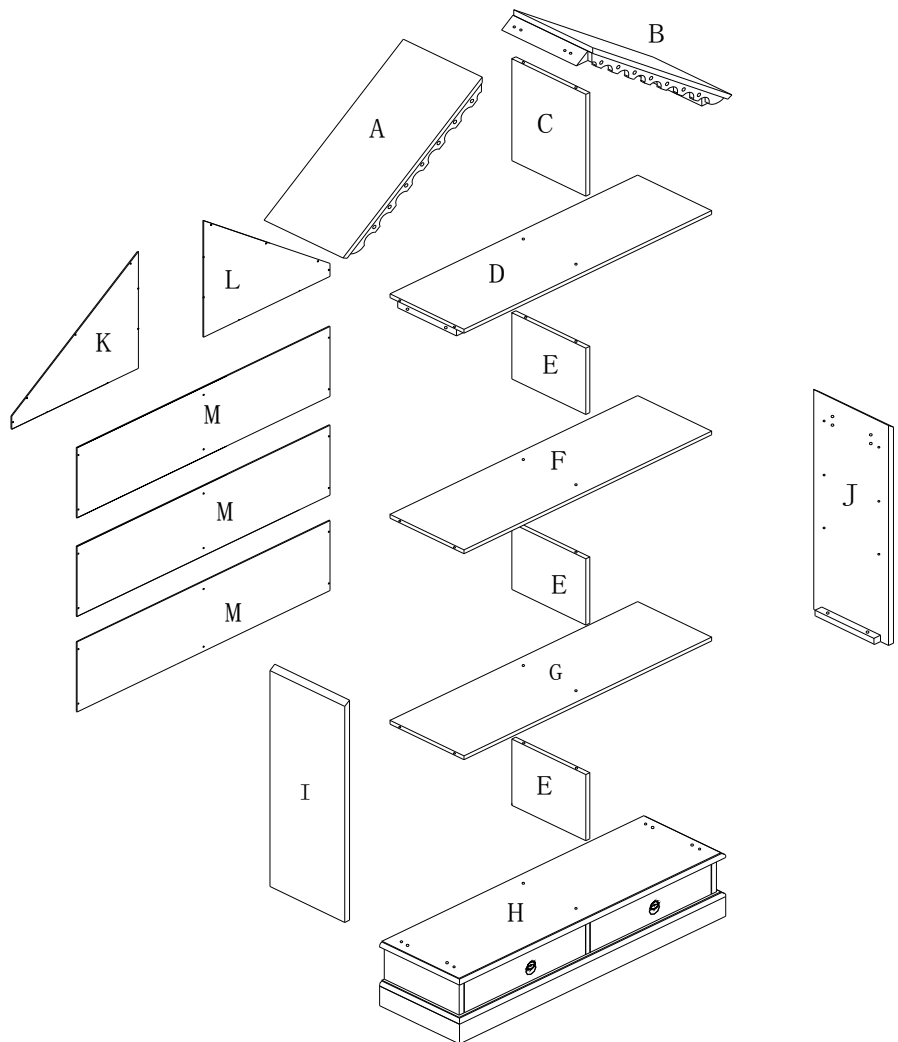
- Please read all instructions carefully before assembling.
- For your safety, assembly by two or more adults is required.
- Keep instructions for future use.
- Use only vendor supplied hardware to assemble. Using unauthorized hardware could jeopardize the structural integrity of the item.
- **CAUTION:** This item contains small parts that have sharp points and edges in the unassembled state. Care should be taken when unpacking and assembling this item. Not recommended for children under 3 years of age. May contain small parts which present a choking hazard for young children. We strongly recommend that you keep children well away from the work area.

Pre-assembly:



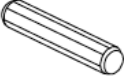


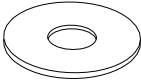
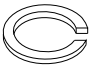
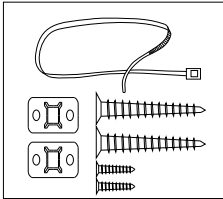
- Remove all parts and hardware from the box and lay out on a clear carpeted or scratch-free work surface, as this will avoid damaging parts during assembly. The shipping box provides an ideal work surface.
- Do not dispose of any packaging or contents of the shipping carton until assembly is completed to avoid accidentally discarding small parts or hardware.
- Use the parts and hardware lists below to identify and separate each of the pieces included.
- The illustrations provided allow for easier assembly when used in conjunction with the assembly instructions.
- The use of power tools to aid in assembly is not recommended. Power tools can damage hardware and split wood.

Parts Included:

(A)	Left Roof	1x
(B)	Right Roof	1x
(C)	Panel	1x
(D)	Top Layer	1x
(E)	Panel	3x
(F)	Middle Layer	1x
(G)	Lower Layer	1x
(H)	Bottom	1x
(I)	Left Side Panel	1x
(J)	Right Side Panel	1x
(K)	Left Back Panel	1x
(L)	Right Back Panel	1x
(M)	Back Panels	3x



Hardware Included:

<p>(N) Long Hex Screw</p>  <p>Dia. 6mm x 32mm 12x</p>	<p>(O) Short Hex Screw</p>  <p>Dia. 6mm x 22mm 2x</p>	<p>(Q) Short Wood Dowel</p>  <p>Dia. 8mm x 30mm 22x</p>	<p>(R) Long Wood Dowel</p>  <p>Dia. 8mm x 50mm 6x</p>	<p>(S) Screw</p>  <p>Dia. 3mm x 12mm 32x</p>
<p>(T) Flat washers</p>  <p>Dia. 13mm 14x</p>	<p>(U) Spring washers</p>  <p>Dia. 11mm 14x</p>	<p>Anti-Tip Kit</p>  <p>1x</p>		

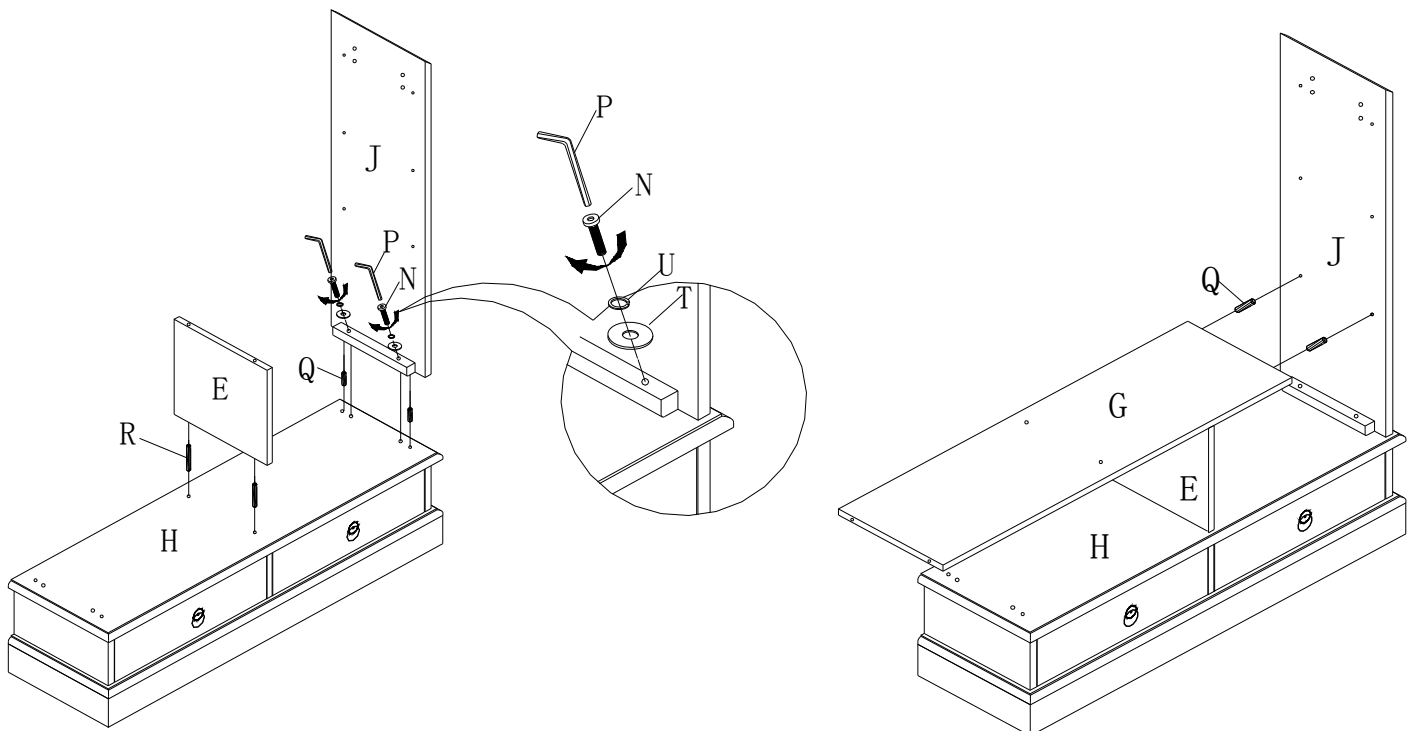
Tools Required (included):

(P) Allen Wrench 4mm

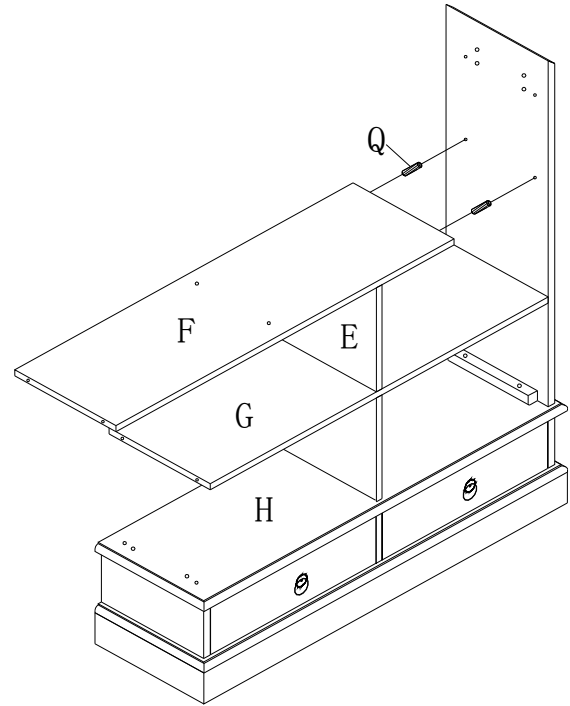
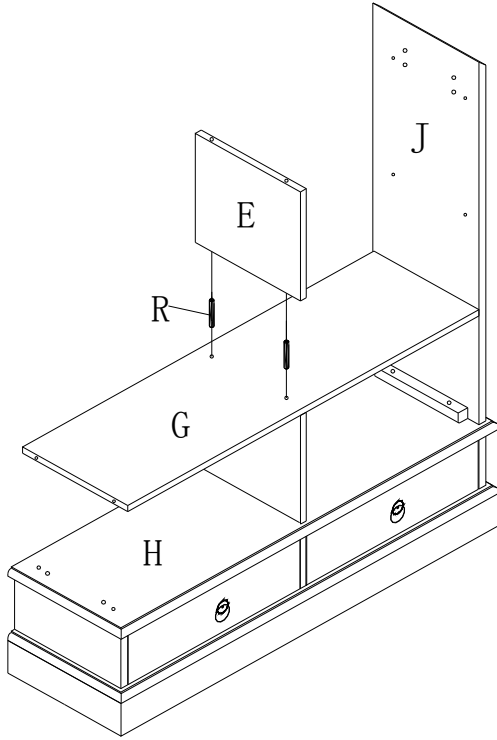


Assembly Instruction Steps:

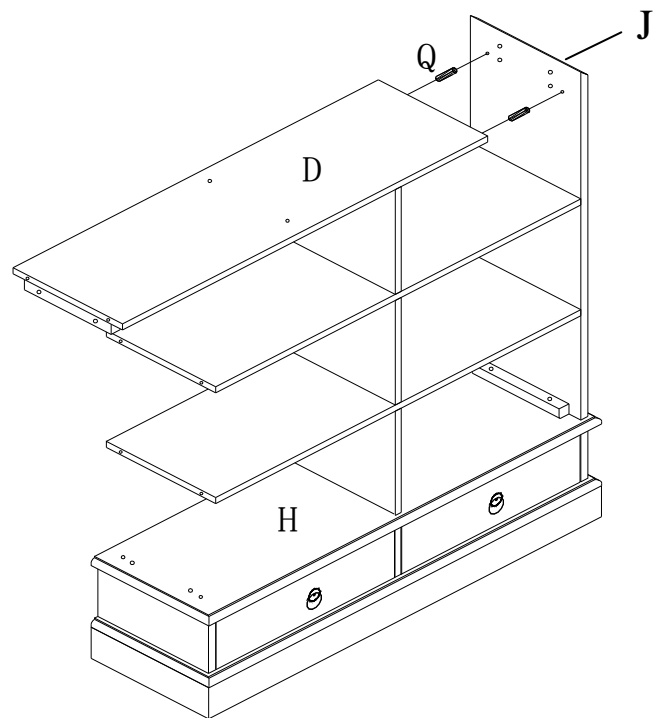
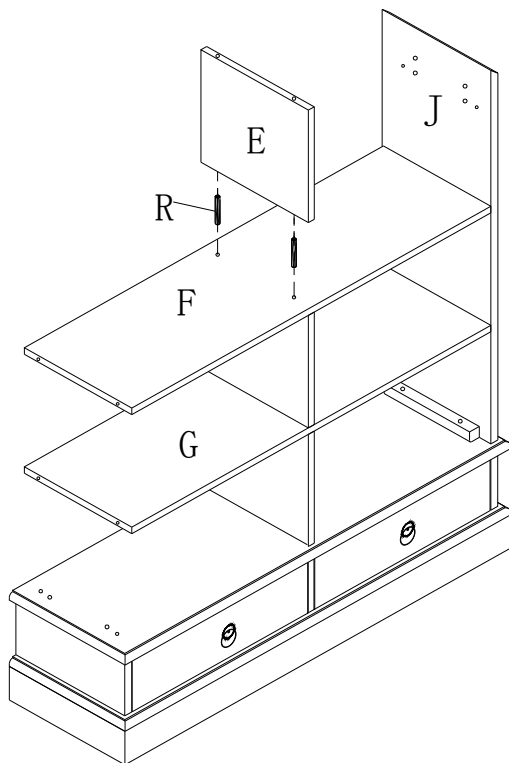
1. Attach Panel (E) to Bottom (H) with long wood dowels (R).
Attach the Right Side Panel (J) to Bottom (H) with short wood dowels (Q), long hex screws (N), spring washers (U) and Flat washers (T) by using Allen wrench (P).
2. Attach Lower Layer (G) to Right Side Panel (J) with short wood dowel (Q) as shown.



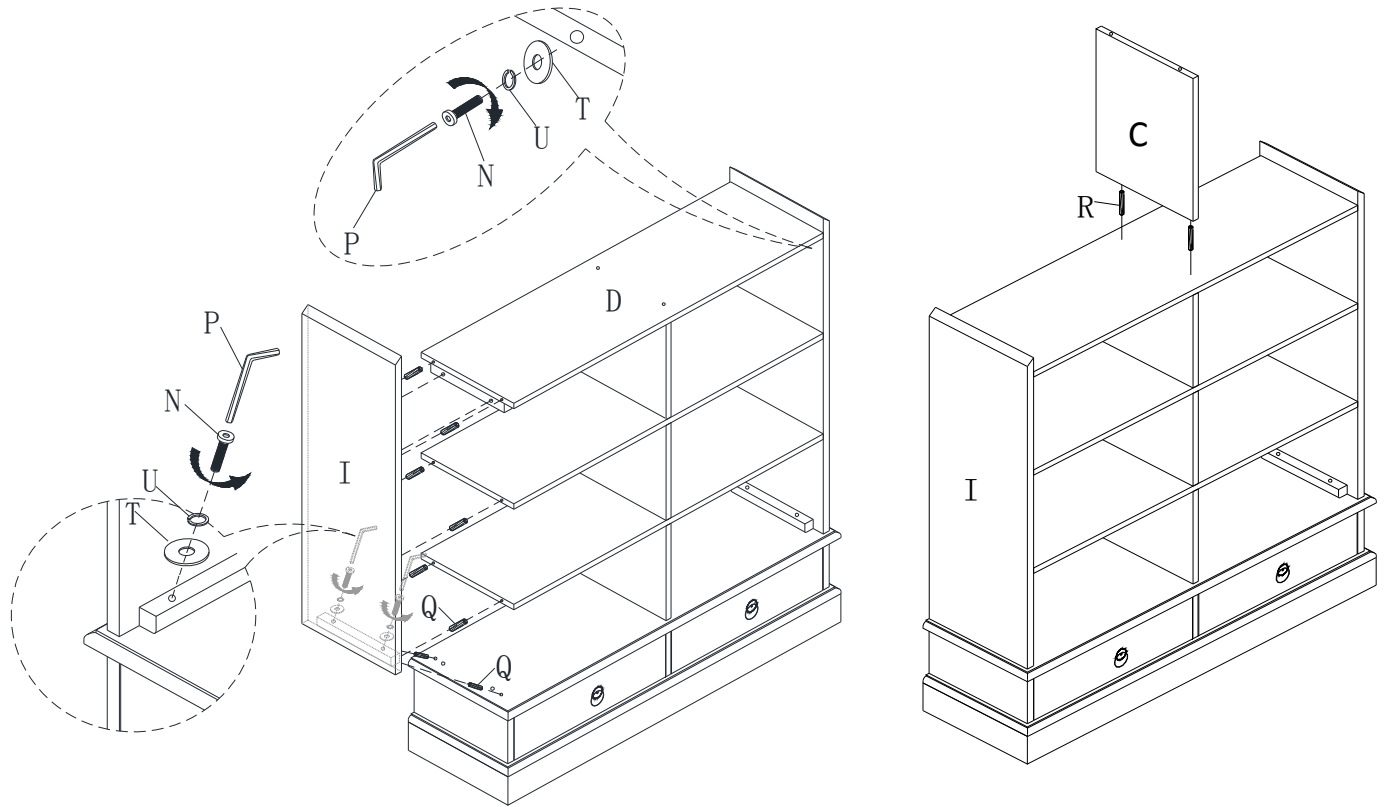
3. Attach Panel (E) to Lower Layer (G) with long wood dowels (R).
4. Attach Middle Layer (F) to Right Side Panel (J) with short wood dowel (Q) as shown.



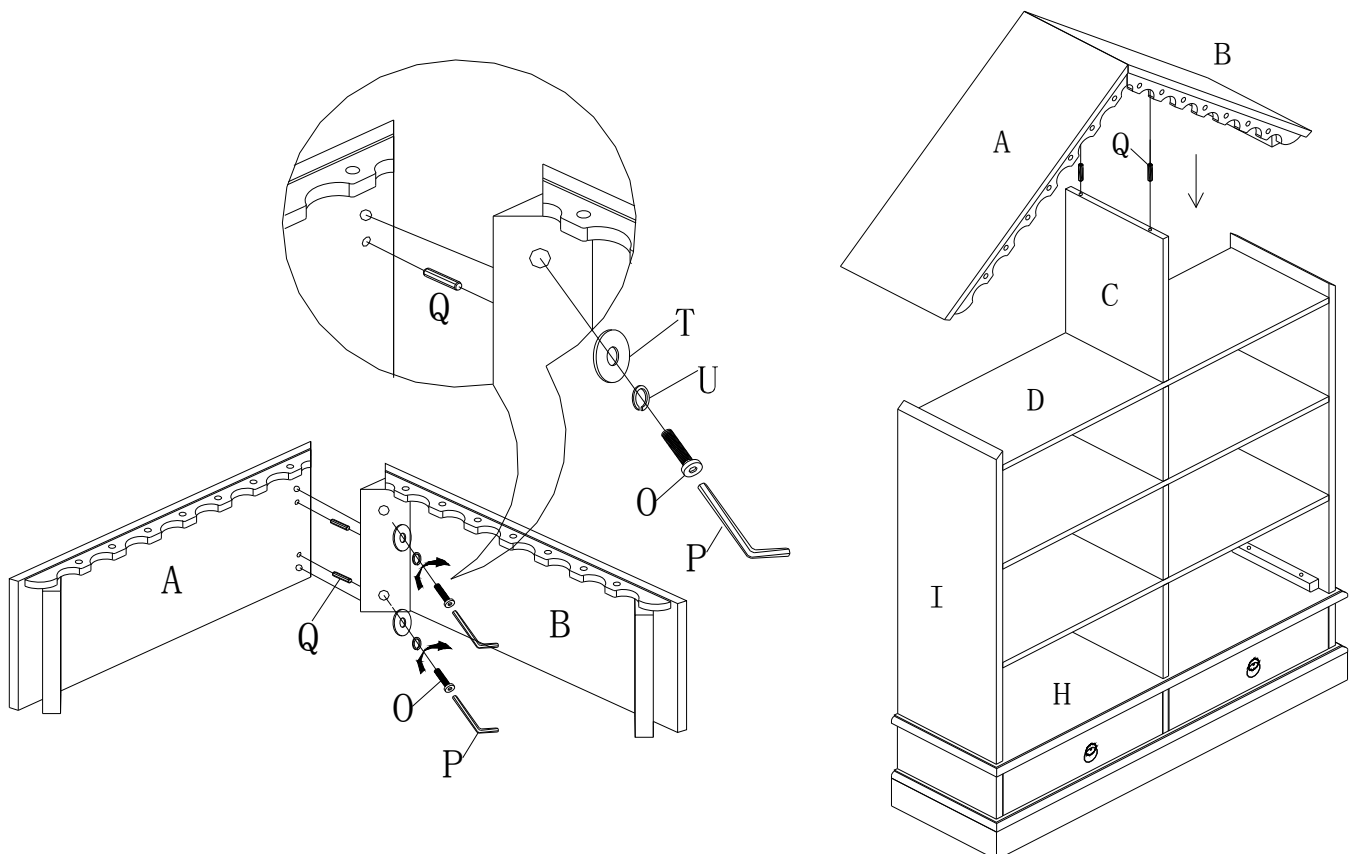
5. Attach Panel (E) to Middle Layer (F) with long wood dowels (R).
6. Attach Top Layer (D) to Right Side Panel (J) with short wood dowels (Q) as shown.



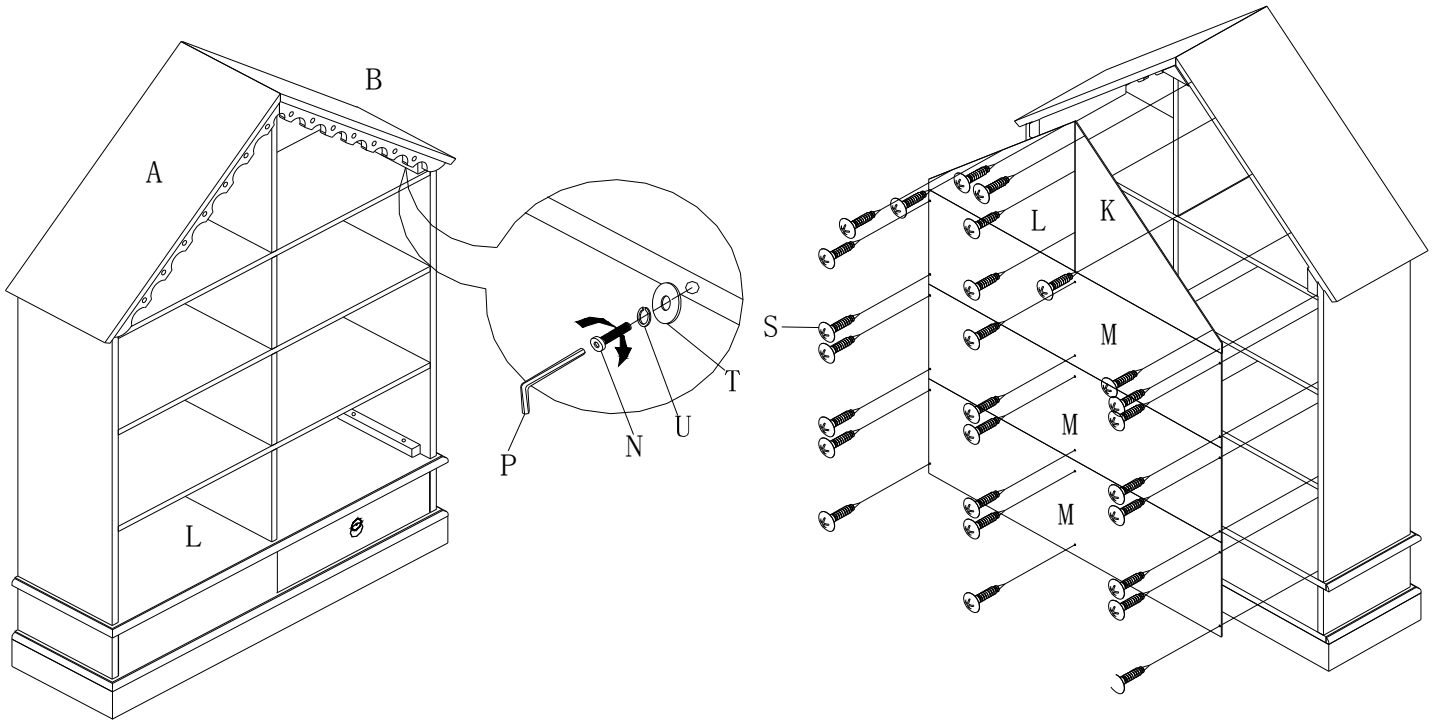
7. Attach the Left Side Panel (I) to Bottom (H) and layers with short wood dowels (Q), long hex screws (N), spring washers (U) and Flat washers (T) by using Allen wrench (P).
8. Attach Panel (C) to Top Layer (D) with long wood dowels (R).



9. Attach the Right Roof (B) to Left Roof (A) with short wood dowels (Q), short hex screws (O), spring washers (U) and Flat washers (T) by using Allen wrench (P).
10. Attach the assembly in step 9 to the assembly in step 8 with short wood dowels (Q) as shown.



11. Secure the roof with long hex screws (N), spring washers (U) and Flat washers (T) by using Allen wrench (P).
12. Attach Back Panels (K/L/M) to back of book case with screws (S) as shown. DO NOT over tighten the screws.



NOTE: USE THE ANTI-TIP KIT PROVIDED TO SAFELY SECURE YOUR PRODUCT(S). FOLLOW THE INSTRUCTIONS PROVIDED TO PREVENT SERIOUS INJURY FROM TIPPING FURNITURE.

Care Instructions:

- Dust often using a clean, soft, dry and lint-free cloth.
- Blot spills immediately and wipe with a clean, damp, cloth.
- We do not recommend the use of chemical cleansers, abrasives or furniture polish on our lacquered finish.
- Hardware may loosen over time. Periodically check to make sure all connections are tight. Re-tighten if necessary.

Thank you for your purchase
Stores | catalog

FURNITURE TIPPING RESTRAINT

WARNING: This product is only a deterrent. It is not a substitute for proper adult supervision. Manufacturer assumes no liability for improper installation or excessive loads placed on screws, brackets or straps.

Young children may be injured by tipping furniture and the use of a tipping restraint is highly recommended.

When properly installed, this restraint will provide protection against tipping of furniture. This tipping restraint **MUST** be secured to a wall-stud or wall structure of similar strength.

Hardware included:

(2) Brackets

(2) Long Stud Mounting Screws

(1) Nylon Strap

(2) Short Furniture-Side Mounting Screws

Note: For safe mounting it is essential to use the proper hardware for your wall type. The included hardware is for drywall or stud mounting only. For other wall types (e.g., plaster, concrete and brick) please consult your local hardware store for fastener advice.

To install:

1) LOCATING THE STUDS: Use a stud finder to locate the vertical wooden studs within your wall located behind the final position of the furniture item. Mark the stud locations with a light pencil-mark.

2) MOUNTING THE FURNITURE-SIDE BRACKET: Move the furniture item close to the wall to its final position. Use pieces of tape or a pencil to transcribe the stud locations of the wall onto the furniture item. Move the furniture item again so you can access its back and use the marks to locate a suitable mounting point for the furniture-side bracket. Make sure that the bracket is secured to a firm portion of the furniture frame and as high as possible. Remember: The furniture-side bracket must be positioned near a wall stud. Using a pencil, and the bracket as a guide, mark "screw marks" on the furniture item through the bracket holes.

Use a 3/32" drill bit to drill pilot holes into the furniture item at the "screw marks". Use the TWO Short screws to secure the furniture-side bracket. This bracket can be positioned either vertically or horizontal as necessary (See Figure 1).

3) MOUNTING THE WALL-SIDE BRACKET: Position the wall-side bracket along the selected stud mark so that it will be adjacent the furniture-side bracket when the furniture item is moved to its final position. The wall-side bracket should be about ONE inch lower than the furniture-side bracket (See Figure 3). Use the TWO Long screws to secure the wall-side bracket to the wall. Remember to position the wall-side bracket vertically so that both screws will engage the selected wall stud (See Figure 2).

4) ATTACHING THE STRAP: When both brackets are securely attached, move the furniture to its final desired position and thread the strap through the openings of each bracket and also through the ratcheting "buckle". Tighten the strap until several "clicks" are heard. The furniture item is now securely tethered to the wall.

Note: If you must move the furniture item, you can release the strap by depressing the lever arm located at its buckle and simultaneously withdrawing the strap from the buckle. Make sure to reconnect the strap once the furniture item is returned to its previous position.

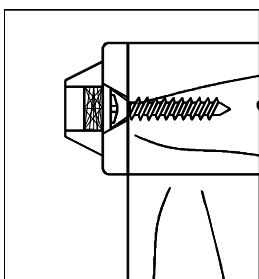


Figure 1

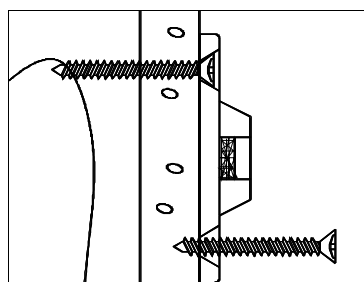


Figure 2

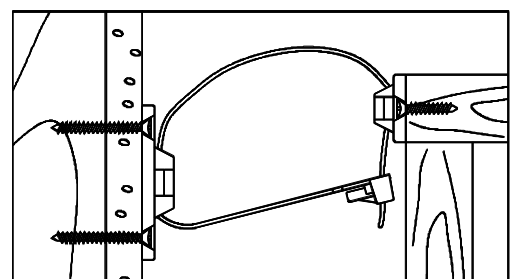


Figure 3