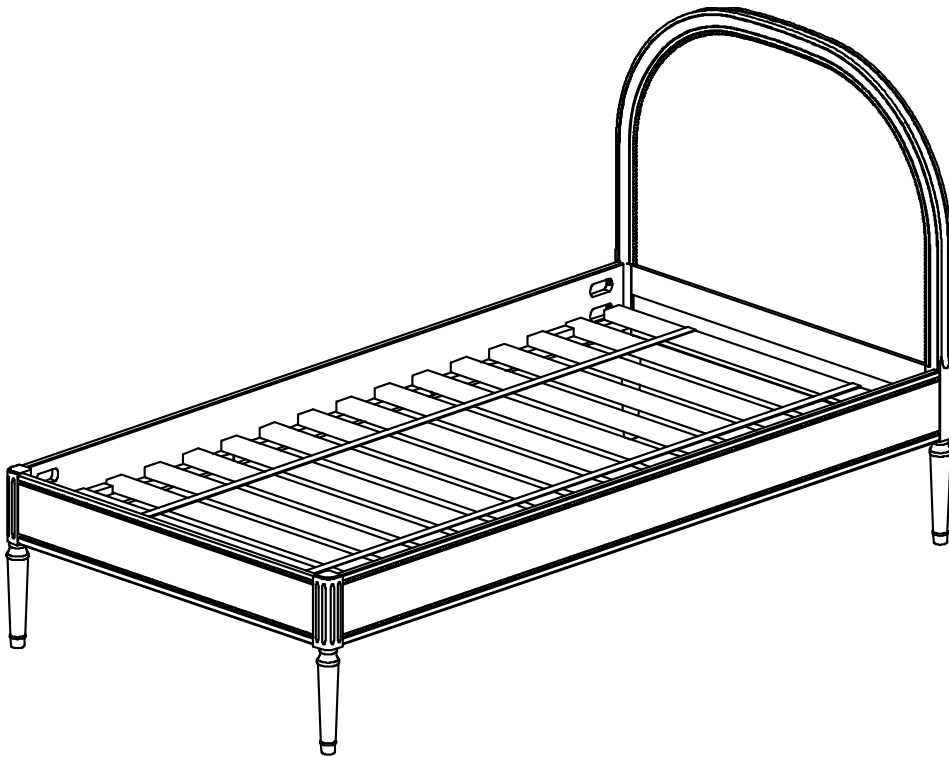


# pottery barn kids



**ZOEY TWIN / FULL BED**

[www.potterybarnkids.com](http://www.potterybarnkids.com)

## IMPORTANT SAFETY INSTRUCTIONS:

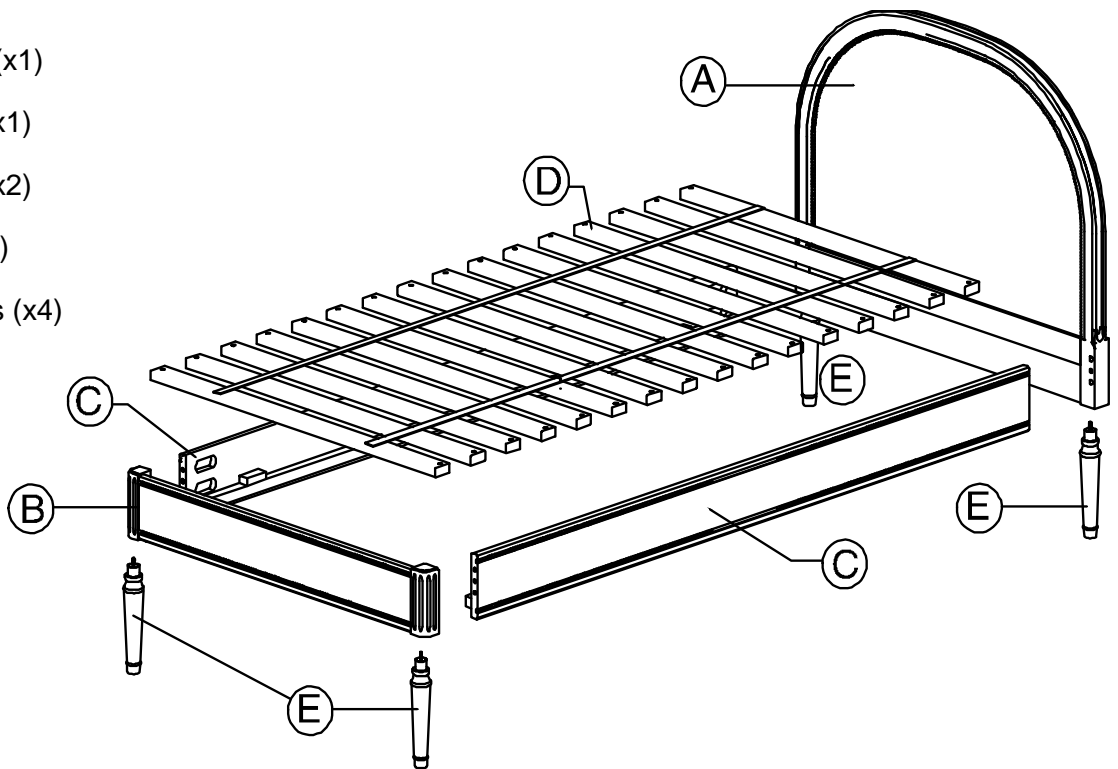
- Please read all instructions carefully before assembling this Bed.
- For your safety, assembly by two or more adults is strongly recommended.
- Keep these instructions for future use.
- Use only vendor-supplied hardware to assemble this item. Using unauthorized hardware could jeopardize the structural integrity of the item.

## PRE-ASSEMBLY:

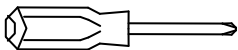
- Remove all parts and hardware from the box. Place all items on a carpeted or scratch-free work surface, as this will avoid damaging parts during assembly. The shipping box provides an ideal work surface.
- To avoid accidentally discarding small parts or hardware, do not dispose any packaging or contents of the shipping carton until assembly is complete.
- Use the parts and hardware lists below to identify and separate each of the pieces included.
- The illustrations provided allow for easier assembly when used in conjunction with the assembly instructions.
- The use of power tools to aid in assembly is not recommended. Power tools can damage the hardware and split the wood.

## PARTS INCLUDED:

- (A) Headboard (x1)
- (B) Footboard (x1)
- (C) Side Rails (x2)
- (D) Slat Roll (x1)
- (E) Turned Legs (x4)



## TOOLS REQUIRED (NOT INCLUDED):



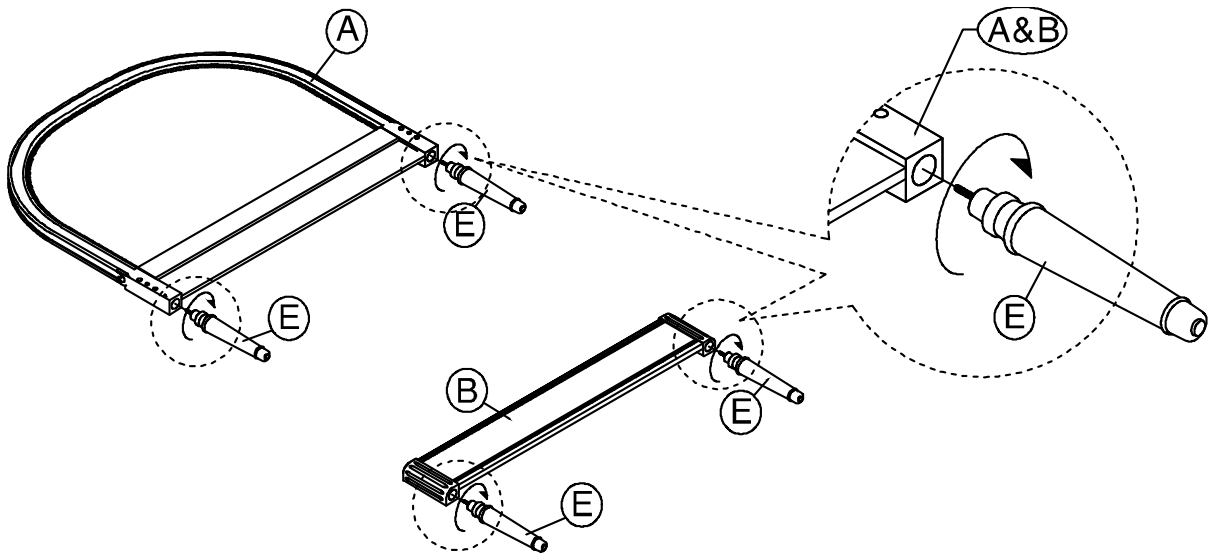
Phillips Head Screwdriver

**HARDWARE INCLUDED:**

(F) Bolt 5/16" x 2-1/2" – 8x	(G) Lock washer 5/16" – 8x	(H) Half-moon washer 5/16" – 8x	(I) Allen key with ball tip 4 x 110 – 1x	(J) Pan head screw 8x30mm – 32x

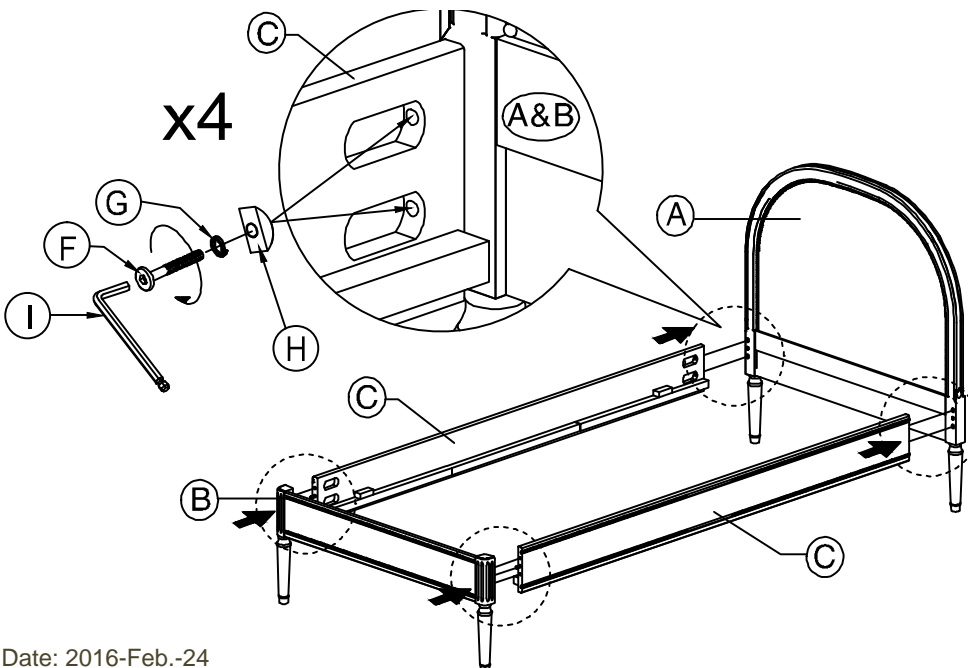
**ASSEMBLY INSTRUCTION STEPS:**

1. Place (A) and (B) down onto a soft, flat surface.
2. Thread (E) into the cut-outs located on the bottom posts of (A) and (B), as seen in the illustration below.



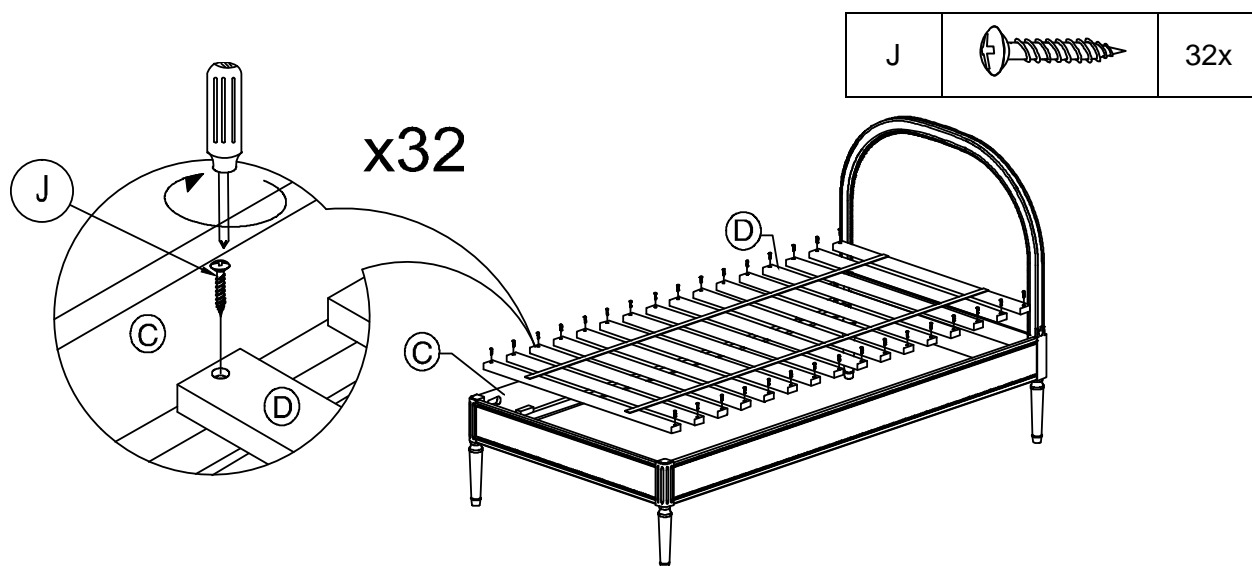
3. Determine desired location of the bed. Attach (C) to (A & B) by aligning pre-drill holes with wooden dowels as shown below. **Do not over tighten.**

**Note:** Only tighten once all bolts are in place to avoid misalignment.

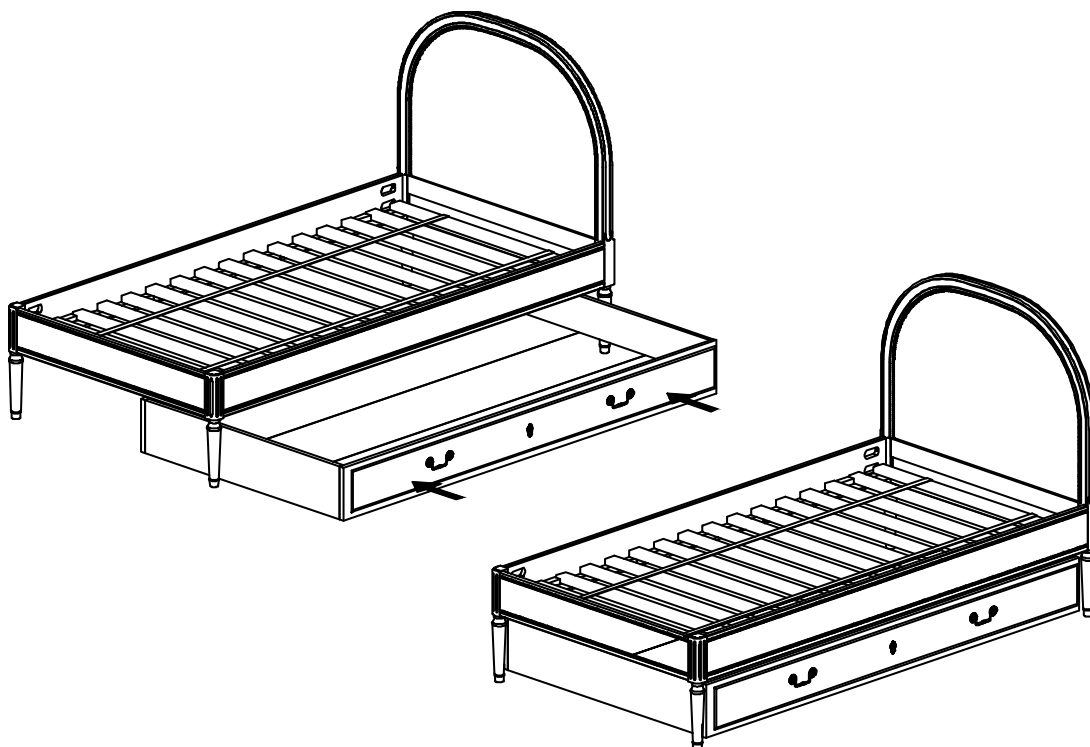


F		8x
G		8x
H		8x

4. Extend and place (D) to bed frames and fasten each slat with (J) and Phillips head screw driver (not provided), as shown below. **Do not over tighten.**



5. Assembly is completed. Carefully slide Zoey Trundle (**sold separately**) under the bed.



#### CARE INSTRUCTIONS:

- Dust often using a clean, soft, dry, and lint-free cloth.
- Blot spills immediately and wipe with a clean, damp cloth.
- We do not recommend the use of chemical cleansers, abrasives, or furniture polish on our lacquered finish.
- Hardware may loosen over time. Periodically check to make sure all connections are tight. Re-tighten if necessary.

Thank you for your purchase  
Stores | catalog | [www.potterybarnkids.com](http://www.potterybarnkids.com)  
USA 1.800.290.8181