

pottery barn kids

MADELINE BUNK BED



WARNING: Failure to follow these warnings and assembly

instructions could result in serious injury or death. To help prevent serious or fatal injuries from entrapment or falls:

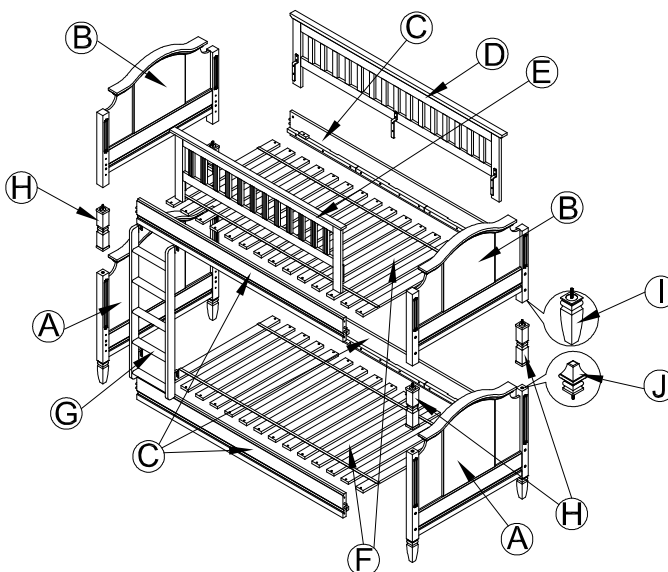
- Read all instructions before assembling bunk bed. KEEP INSTRUCTIONS FOR FUTURE USE.
- Before each usage or assembly, inspect bunk bed for damaged hardware, loose joints, missing parts or sharp edges. DO NOT use bunk bed if any parts are missing or broken. Telephone or write to Pottery Barn Kids for replacement parts and instructional literature if needed. DO NOT substitute parts.
- Follow the information on the warnings appearing on the upper bunk end structure and on the carton. DO NOT REMOVE WARNING LABEL FROM THE BED.
- Always use the recommended size mattress or mattress support, or both, to help prevent the likelihood of entrapment or falls.
- Ensure thickness of mattress does not exceed 9" and the surface of the mattress is at least 5" (127 mm) below the upper edge of guardrails.
- Use only mattress which is 74"-75" long and 37.5"-38.5" wide on upper bunk.
- Surface of mattress must be at least 5 inches (127 mm) below the upper edge of the guardrails.
- The use of water or sleep flotation mattress is prohibited.
- Periodically check and ensure that the guardrail, ladder and other components are in their proper position, free from damage, and that all connectors are tight.
- Never allow children under 6 years of age to use the upper bunk.
- Do not allow horseplay on or under the bed and prohibit jumping on the bed.
- Always use the ladder for entering and leaving the upper bunk.
- Use of a night light may provide added safety precautions for a child using the upper bunk.
- Prohibit more than one person on the upper bunk.
- Always use guardrails on both long sides of the upper bunk.
- If the bunk bed will be placed next to a wall, the guardrail that runs the full length of the bed should be placed against the wall to prevent entrapment between the bed and the wall.
- If refinishing, use a non-toxic finish specified for children's products.
- STRANGULATION HAZARD – Never attach or hang items to any part of the bunk bed that are not designed for use with the bed; for example, but not limited to, hooks, belts, and jump ropes.

PRE-ASSEMBLY:

- Please read all instructions before beginning assembly. The illustrations provided allow for easier assembly when used in conjunction with the assembly instructions.
- For your safety and ease, assembly by four adults is recommended.
- Remove all parts and hardware from box and lay out on a carpeted or scratch-free work surface. The shipping box provides an ideal work surface. Do not dispose of any contents until assembly is completed to avoid accidentally discarding small parts or hardware.
- Use the parts and hardware lists to identify and separate each of the pieces included prior to starting assembly.
- Note: DO not fully tighten the bolts until all parts are in place. Failure to follow these instructions may cause the bolts to misalign during assembly.
- The use of power tools for assembly is not recommended. Power tools can damage hardware and split wood.

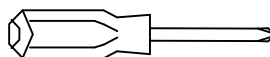
PARTS INCLUDED:

- A – Tall End Board (Head board)-Lower bed (2)
- B – Short End Board (Foot board)-Upper bed (2)
- C – Side rails (4)
- D – Long Guardrail (1)
- E – Short Guardrail (1)
- F – Slat Rolls (2)
- G – Ladder (1)
- H – Middle post (4)
- I – Feet (4)
- J – Finial (4)
- ((I&J) for when assembling as 2 twin beds)



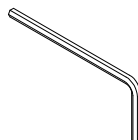
TOOLS REQUIRED:

Phillips Head Screwdriver (not included)

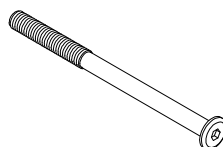


HARDWARE:

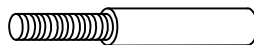
K – Allen Wrench (x1)



L – Allen Bolts M8x110mm (x16)



M – Threaded Dowels 10x80mm (x4)



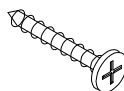
N – Barrel Nut M8x15mmx12mm (x 16)



O – Small Phillips Head Screws 8x19mm (x18)



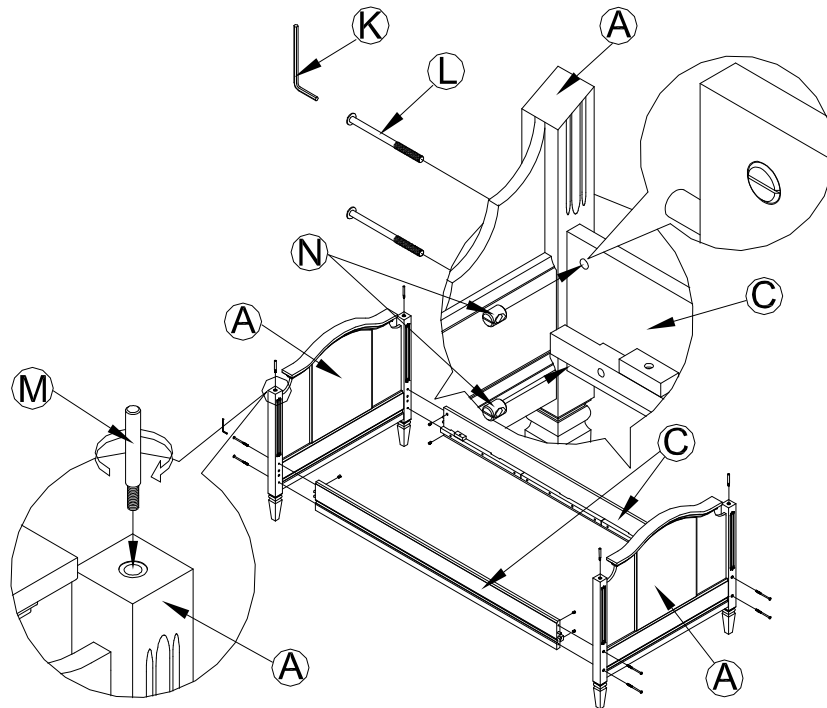
P – Large Phillips Head Screws 8x30mm (x 56)



ASSEMBLY INSTRUCTION

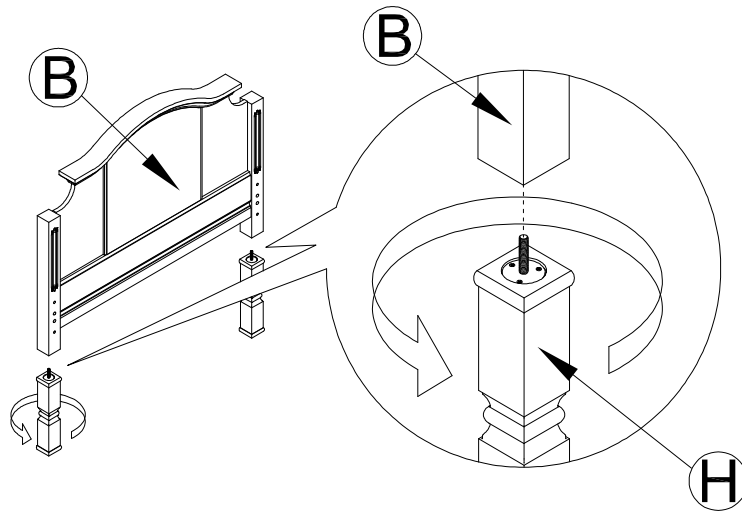
Steps #1 through 3 (assembly of the lower bed):

1. Assemble lower bunk first using the (2) Tall End Board (A) as headboard and footboard.
2. Insert (2) Long Bolts (L) into pre-drilled holes on each end of Tall End Board (A). Place (2) Barrel Nut (N) in the corresponding openings on the Side Rail (C) and use Allen Key (K) to connect. Repeat with another (6) Long Bolts. (See Fig. 1). Do not fully tighten until all bolts are in place.
3. Insert 4pcs Threaded Dowels (M) into the top of each post of the lower bunk as shown.

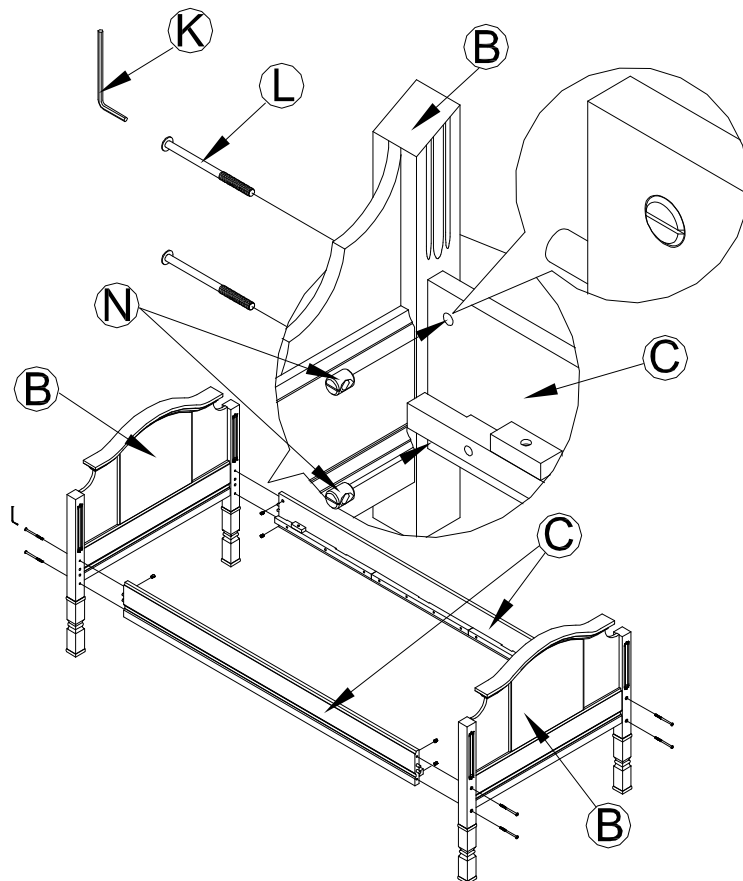


Steps #4 through 5 (assembly of the upper bed):

4. Assemble the upper bunk using the Short End board as both the head board and foot board. Screw in the Middle post (H) to the bottom of the post of upper bunk as shown, make sure they are align with the bed post. **DO NOT over tighten.**



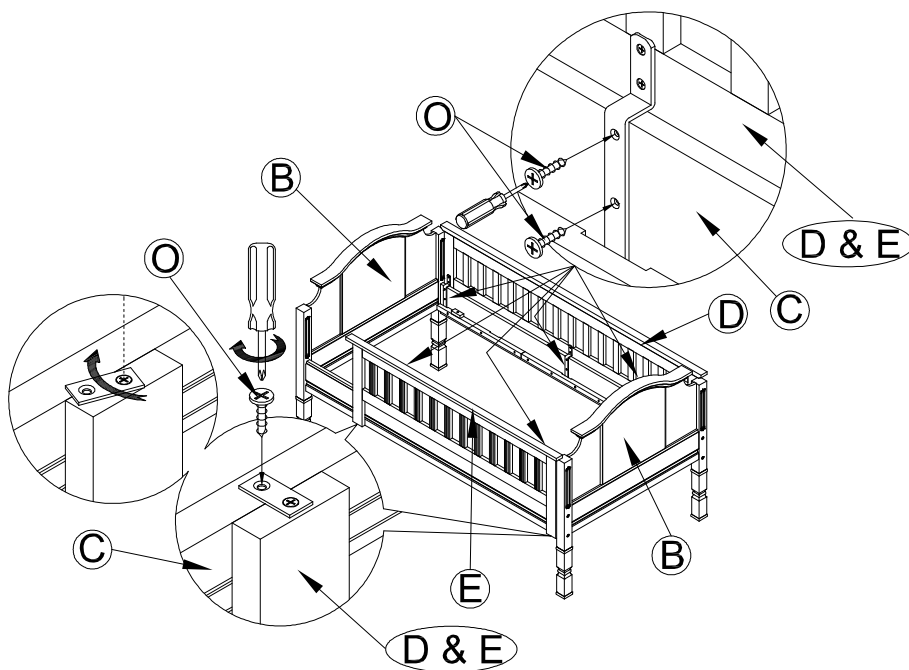
5. Now assemble bottom bunk using the (2) Short End Board (B) as headboard and footboard. Insert (2) Long Bolts (L) into pre-drilled holes on each end of Tall End Board (B). Place (2) Barrel Nut (N) in the corresponding openings on the Side Rail (C) and use Allen Key (K) to connect. Repeat with the remaining (6) Long Bolts. Do not fully tighten until all bolts are in place.



Step #6(attaching guardrail to Upper bunk):

6. Install Long guardrail (D) onto the backside of the bed by placing metal bracket over the side rail. Make sure there are no gaps in between end of long guardrail and bed end structure before you start fastening the parts. Turn the bracket on the bottom of the guardrail end under the side rail. Use small Philips head screws (O) to fasten guardrail bracket to side rail.

Place short guardrail with one end firm against the upper bunk bed end depending on which end the ladder will be placed. Repeat fastening procedure with short guardrail as described/shown for the long guardrail.

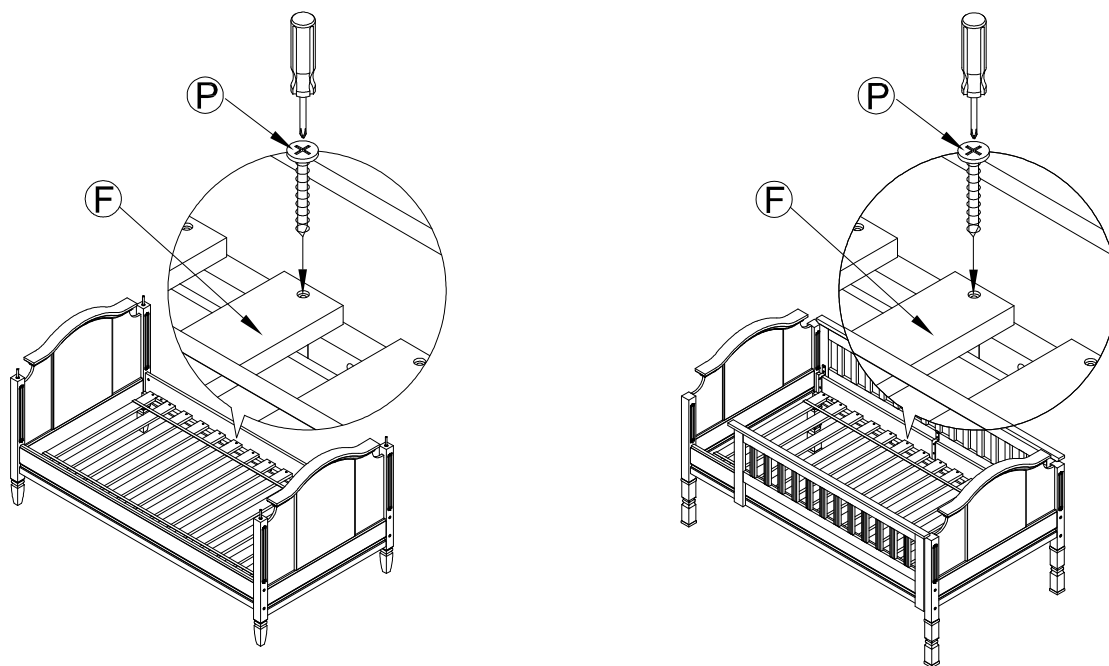


NOTE: Long guardrail (D) and Short guardrail (E) are interchangeable at the bed left or right side as shown.



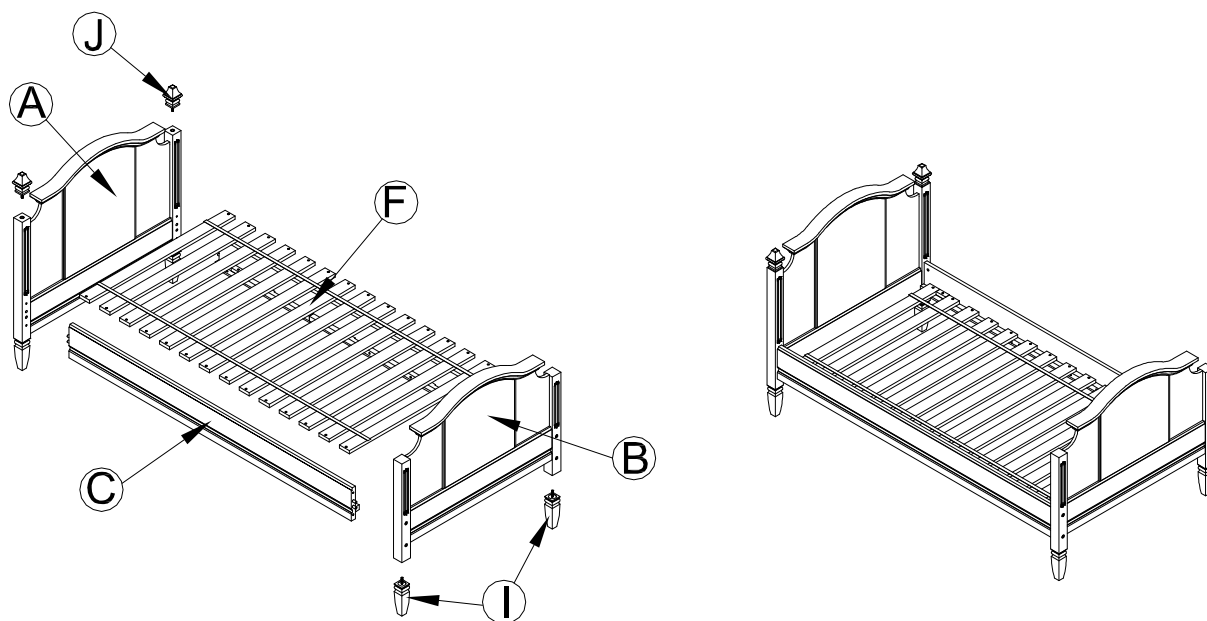
Step #7 (attaching the slat roll)

7.Lay the slat roll in between the side rails (C) and use Large Philips Head Screws 8x30mm (P) to fasten slats to the side rails with Philips head screwdriver for both upper bunk and lower bunk (for each of the twin beds)



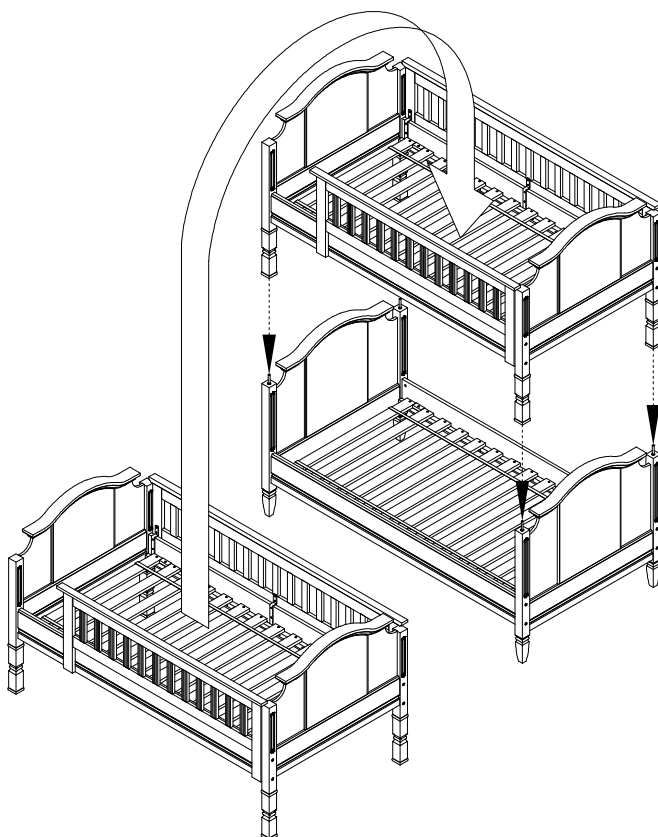
NOTE: Feet (I) and Finials (J) are to be used on Tall End board /lower bunk bed end ONLY when set up as two beds as shown or when set up using one tall and one short end on each bed. Be sure to store whichever finials, Middle post, feet, and threaded dowels are not used so that they can be utilized at a later date if needed.

Single twin bed set up with upper bunk end as Footboard and lower bunk end as Headboard.



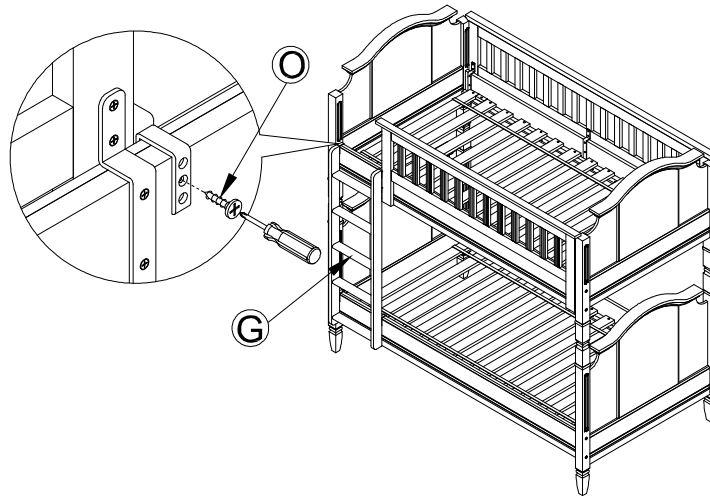
Step #8 (assembling the bunk bed)

8. After both bunks are assembled, set the upper bunk on top of the lower bunk by placing the pre-drilled holes in the bottom of upper bunk bed posts (mid posts) over the Thread dowels (M) in bottom bed.



Step #9(securing the ladder)

9. Attach ladder (G) in the opening between the short guardrail and the end by hooking it over topside rail and bottom side rail as shown. Fasten the ladder with the remaining Small Philips head screws 8x20mm (O) as shown.



Finally: Retighten all bolts and screws to make sure all are tight and bunk bed structures is rigid. It is recommended all bolts and screws be checked from time to time for safety.

CARE INSTRUCTIONS:

- Dust often using a clean, soft, dry lint-free cloth.
- Bolt spills immediately, and wipe with a clean, damp, cloth.
- We do not recommend the use of chemical cleansers, abrasives, or furniture polish on our lacquered finish.
- Check fasteners periodically for tightness, DO NOT over tighten; this may cause distortion or breakage.
- Parents should ensure a safe environment for the child by checking regularly, before placing the child in the product, that every component is properly and securely in place.

Thank you for your purchase.

Stores | catalog | www.potterybarnkids.com

USA 1.800.290.8181