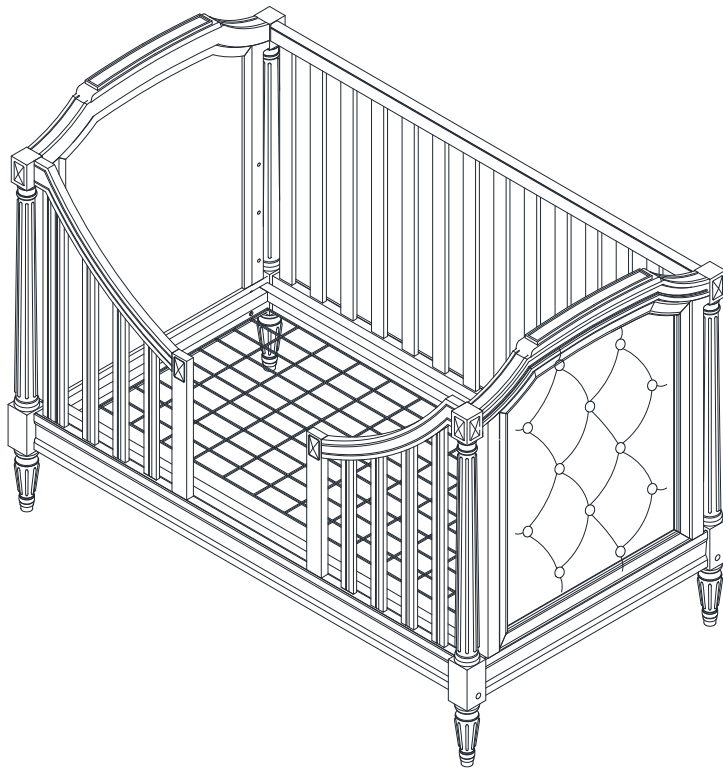


pottery barn kids



BLYTHE CRIB GUARDRAIL CONVERSION KIT

www.potterybarnkids.com



WARNING ENTRAPMENT/STRANGULATION

HAZARD:

- Infants have died in toddler beds from entrapment and strangulation.
- Failure to follow these warnings and assembly instructions could result in serious injury or death.
- NEVER use a bed with children under 15 months.
- NEVER place bed near windows where cords from blinds or drapes may strangle a child.
- Read all instructions before assembling toddler bed.
- KEEP INSTRUCTIONS FOR FUTURE USE.
- **DO NOT** use a water mattress with this toddler bed.
- Never use plastic shipping bags or other plastic film as mattress covers because they can cause suffocation.
- **DO NOT** place bed near windows where cords from blinds or drapes may strangle a child.
- **DO NOT** place items with a string, cord, or ribbon around a child's neck, such as hood strings or pacifier cords.
- **DO NOT** suspend strings over a toddler bed or attach strings to toys.
- If refinishing, use a non-toxic finish specified for children's products.
- If included, always use guardrail(s).

CAUTION: ANY MATTRESS USED IN THIS TODDLER BED MUST BE AT LEAST 27 ¼" (69 CENTIMETERS) BY 51 5/8" (131 CENTIMETERS) WITH A THICKNESS NOT EXCEEDING 6" (15 CENTIMETERS) .

THIS BED IS FOR CHILDREN OVER 15 MONTHS OF AGE WEIGHING NO MORE THAN 50 POUNDS (22.7 kg).

04-000032-6

IMPORTANT SAFETY INSTRUCTIONS:

- Follow the manufacturer's assembly instructions in detail to ensure the safety features of the crib are not compromised.
- Ensure the crib is placed at a reasonable distance from curtains, blinds, heaters and power points.
- Keep medication, string, elastic, small toys or small items, such as money, out of reach from any position in the crib.
- For your safety, assembly by two or more adults is recommended.
- Use only vendor supplied hardware to assemble. Using unauthorized hardware could jeopardize the structural integrity of the item.
- Do not remove warning labels from the cribs. Labels are permanent and not designed to be removed.

PRE-ASSEMBLY:

- Remove all parts and hardware from the box and lay out on a clear carpeted or scratch-free work surface, as this will avoid damaging parts during assembly. The shipping box provides an ideal work surface.
- Do not dispose of any packaging or contents of the shipping carton until assembly is completed to avoid accidentally discarding small parts or hardware.
- Use the parts and hardware lists below to identify and separate each of the pieces included.
- The illustrations provided allow for easier assembly when used in conjunction with the assembly instructions.
- The use of power tools to aid in assembly is not recommended. Power tools can damage hardware and split wood.

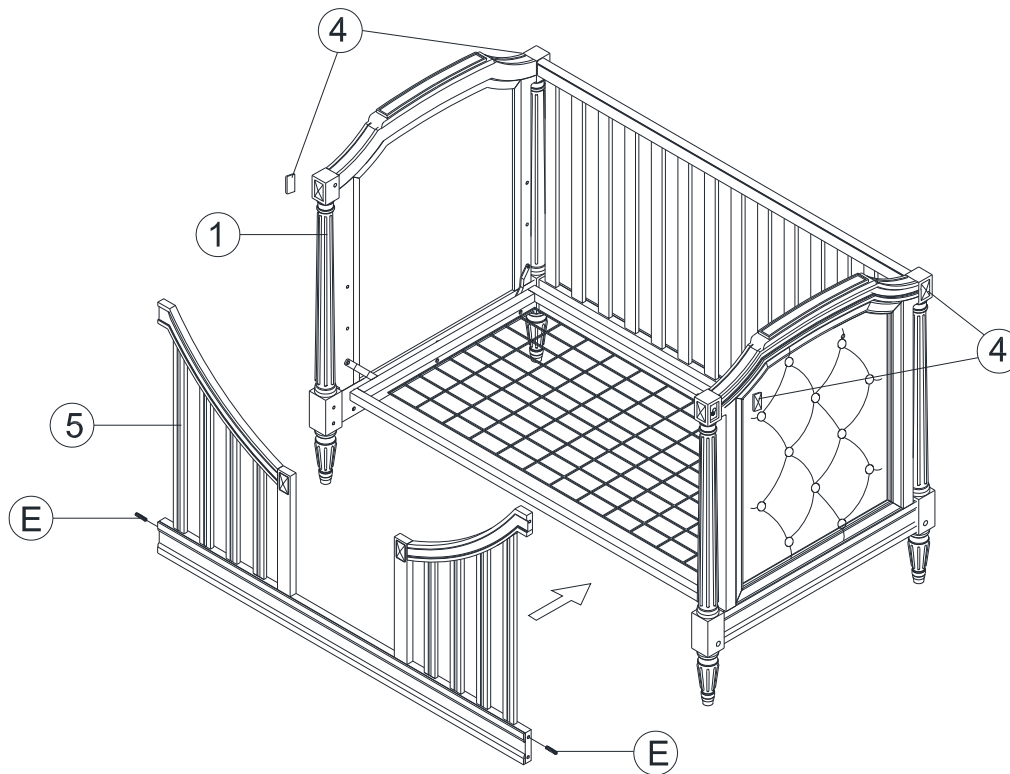
PARTS INCLUDED:

PART 5). GUARDRAIL (1x)

PARTS REQUIRED:

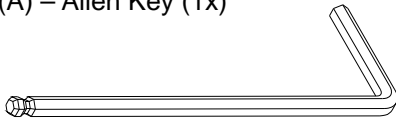
PART 1). BLYTHE CRIB (sold separately)

PART 4). DÉCOR COVER



HARDWARE REQUIRED (From Crib):

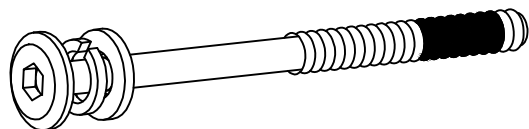
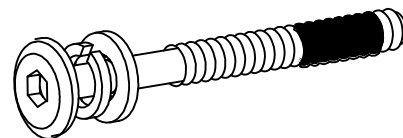
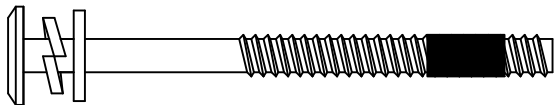
(A) – Allen Key (1x)



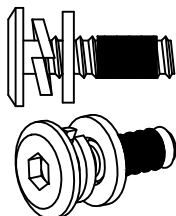
(C) – Medium Allen Bolt M6x2-1/4" (2x)



(B) – Long Allen Bolt M6x2-3/4" (2x)



(D) Short Allen Bolt M6x3/4" (4x)



(E) Dowel 8x30mm (2x)

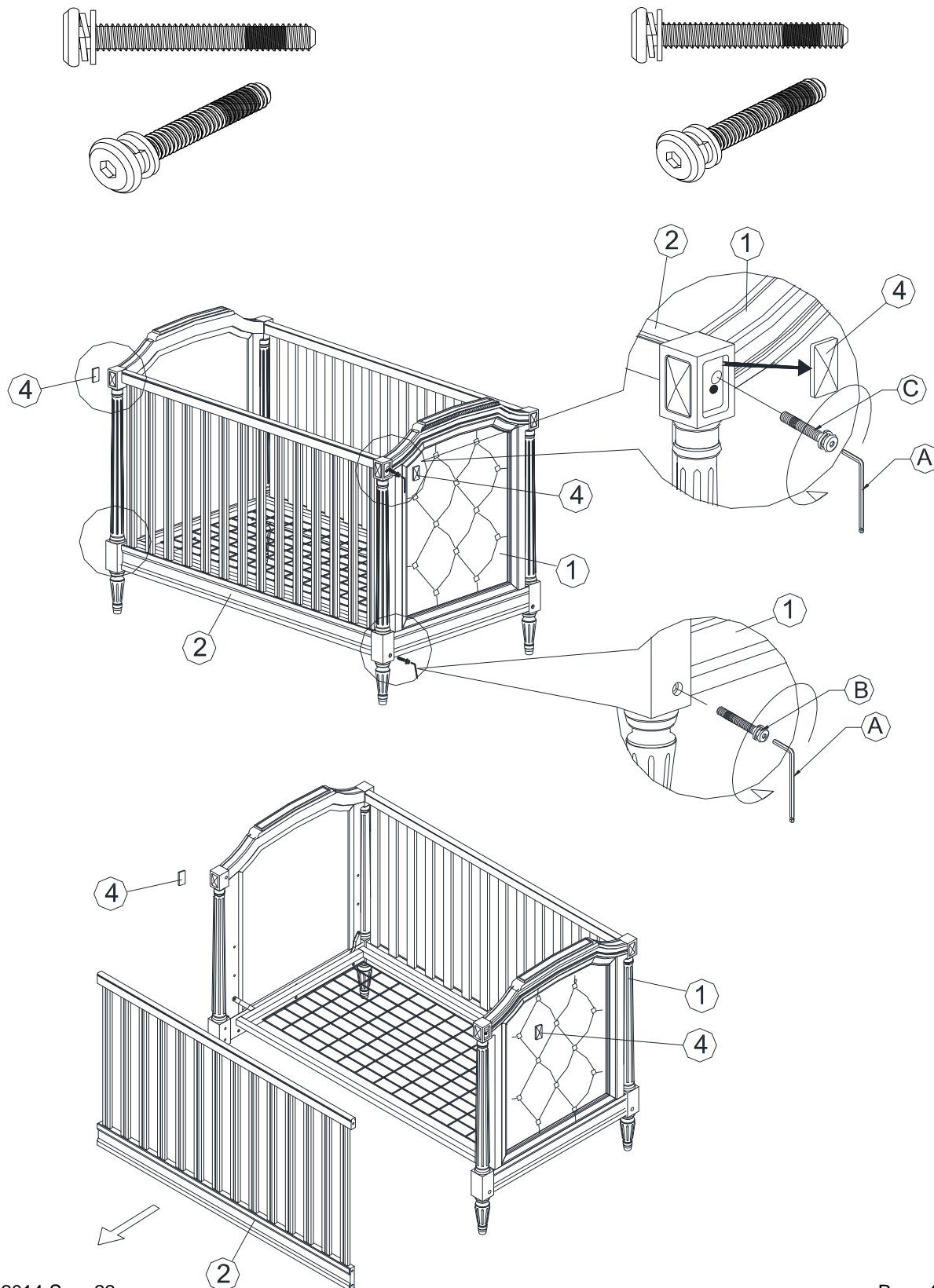


Assembly Instruction Steps:

1. Remove the Crib Assembly Instructions from the envelope attached to the Crib Mattress Base. Review and keep the instructions handy for referring to the part and hardware descriptions. If you cannot locate the crib Assembly Instructions, please contact Pottery Barn Kids for another copy.
2. **Take out** the Décor cover (4) from the Crib End (1). To remove Crib Front Gate from the crib, carefully unscrew and remove the (2) Long Allen Bolts (B) and (2) Medium Allen Bolts (C) located in Left/Right end Panels using Allen Key (A). Please keep the hardware for use in Step 4.

(B) –Long Allen Bolt M6x2-3/4" (2x)

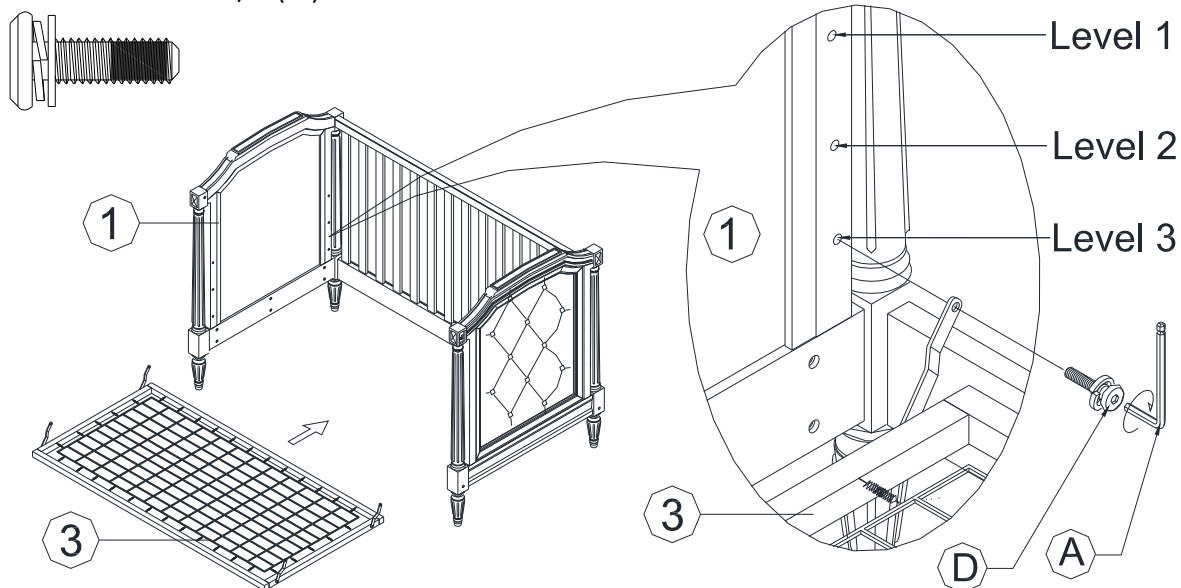
(C) – Medium Allen Bolt M6x2-1/4" (2x)



3. The mattress base (3) must be at the lowest level (Level 3) for a toddler bed. If your mattress base is not at the lowest level, follow instructions below to change.

Using two adults carefully hold the mattress base taking care not to scratch the finish. To change position of the mattress base, unscrew Short Allen Bolts (D), line up the mattress base with the holes at lowest level (Level 3) and re-attach the mattress base using the same bolts. Do not fully tighten the bolts at this point to make installation of the Conversion Kit easier.

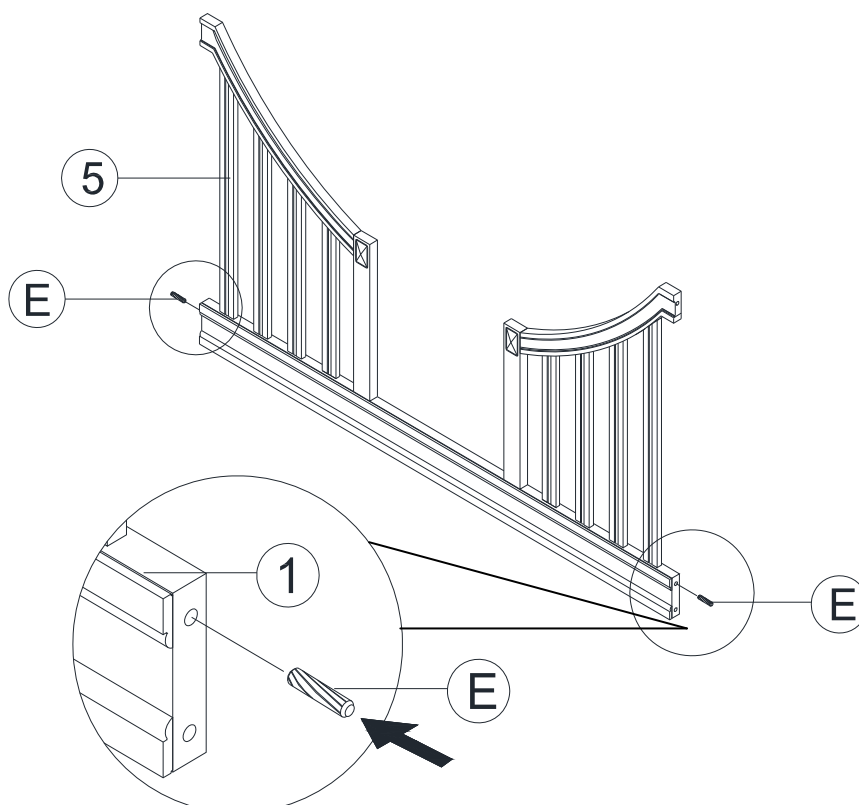
(D) Short Allen Bolt M6x3/4" (4x)



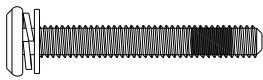
4. Insert the Dowels (E) into the holes on the Guardrail (5).



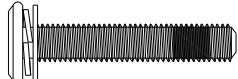
(E) Dowel 8x30mm (2x)



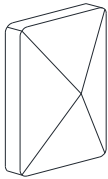
5. Attached the assembled Conversion Kit to the Crib End Panels and secure with (2) Long Allen Bolts (B) and (2) Medium Allen Bolts (C) which were both removed from (Step 2) at the lower position. Insert the remaining Bolts (B) & (C) (removed from Step 2) at the upper position, tighten with Allen Key (A).
6. Put back the Décor cover (4) into the posts of Crib End (1).



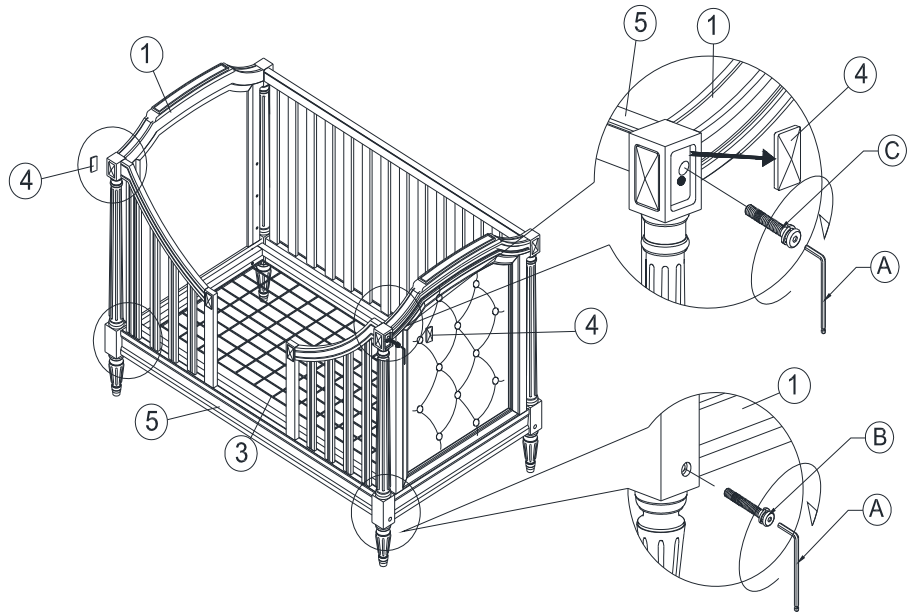
(B) Long Allen Bolt M6x2-3/4" (2x)



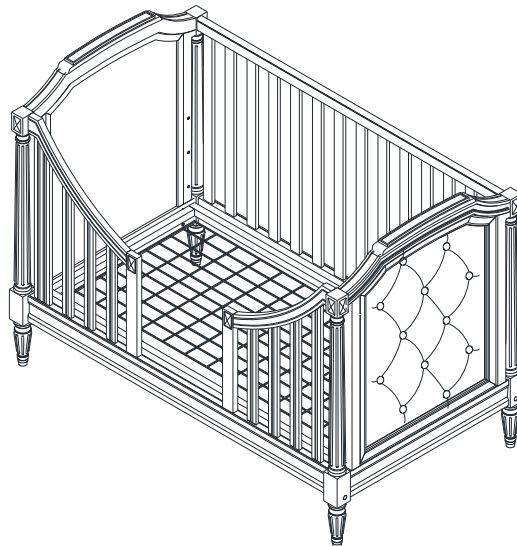
(C) Medium Allen Bolt M6x2-1/4" (2x)



(4) Décor Cover (4x)



7. Assembly is now complete.



8. Place the assembly instructions back into the envelope mounted on the mattress base for future reference.

CARE INSTRUCTIONS:

- Dust often using a clean, soft, dry lint-free cloth.
- Blot spills immediately, and wipe with a clean, damp cloth.
- We do not recommend the use of chemical cleansers, abrasives, or furniture polish on our lacquered finish.
- If the crib is to be stored, store in cool dry place and carefully package all original hardware to protect from loss or damage.
- Check fasteners periodically for tightness DO NOT over tighten. This may cause distortion or breakage.
- Parents should ensure a safe environment for the child by checking regularly, before placing the child in the product, that every component is properly and securely in place.

Thank you for your purchase
 Stores | catalog | www.potterybarnkids.com
 USA 1.800.290.8181