

# Pottery barn kids

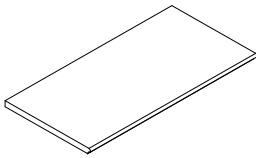
## MADELINE WALL SYSTEM HUTCH

### PRE-ASSEMBLY:

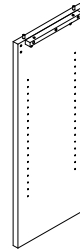
- Please read all instructions before beginning assembly. The illustrations provided allow for easier assembly when used in conjunction with the assembly instructions.
- For your safety, assembly by two adults is recommended.
- Remove all parts and hardware from box and lay out on a carpeted or scratch-free work surface, as this will avoid damaging any parts during assembly. The shipping box provides an ideal work surface. Do not dispose of any contents until assembly is completed to avoid accidentally discarding essential parts or hardware.
- Use the parts and hardware lists to identify and separate each of the pieces included.
- Note: do not fully tighten all bolts until all parts are in place. Failure to follow these instructions may cause the bolts to misalign during assembly.
- If using power tools to aid in assembly please use caution. Power tools can damage hardware or split wood.

### PARTS INCLUDED:

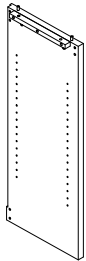
(A) Top panel (1)



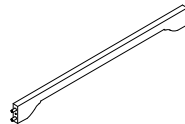
(B) Left side panel (1)



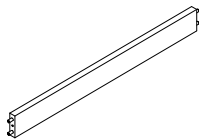
(C) Right side panel (1)



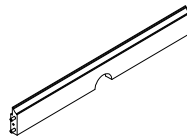
(D) Front rail (1)



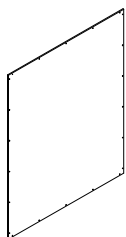
(E) Upper back rail (1)



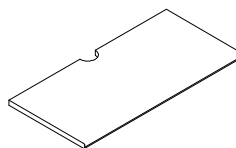
(F) Bottom back rail (1)



(G) Back panel (1)



(H) Hutch shelf (2)



**HARDWARE ENCLOSED:**

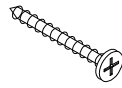
(I) Long bolt 1/4"x15x25mm (4)



(J) Short bolt 1/4"x15x13mm (4)



(K) Screw 8x30mm (6)



(L) Screw 6x19mm (22)



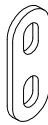
(M) Screw 6x15mm (8)



(N) Shelf support 5x13x1.5mm (8)



(O) Mounting plate 51x20x3mm (2)



(P) Allen key 4x74x29mm (1)



(Q) Sleeve screw 4x9.5x32mm (2)



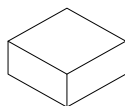
(R) Sleeve nut 4x9.5x28mm (2)



(S) 5x83mm Drill bit (1)

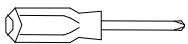


(T) Wood block 50x50x19mm (1)

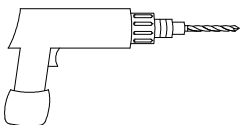


**TOOLS REQUIRED FOR ASSEMBLY:**

(1) Phillips Head Screwdriver, not included

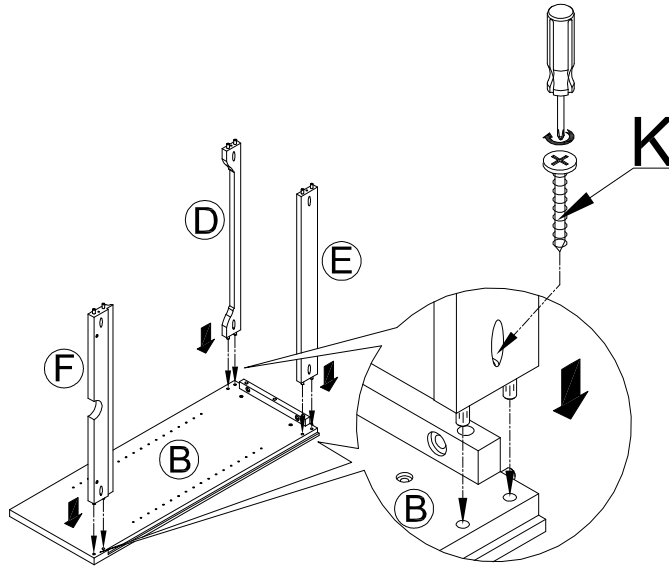


(1) Power Drill, not included (note: hand drill may be used)

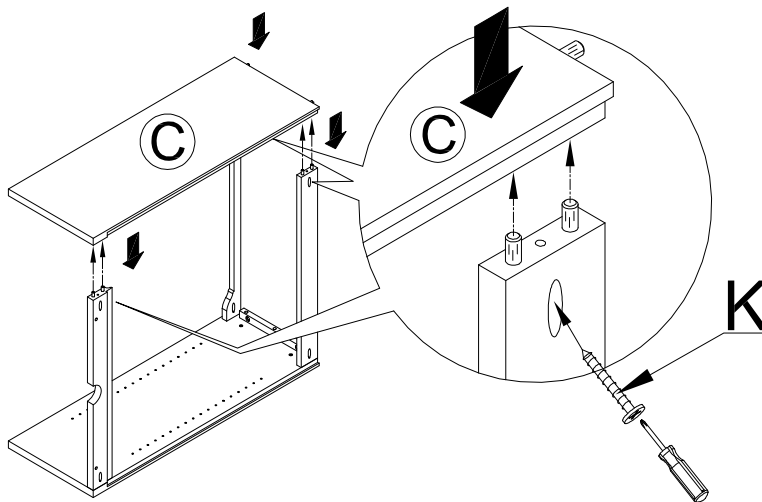


**ASSEMBLY INSTRUCTIONS:**

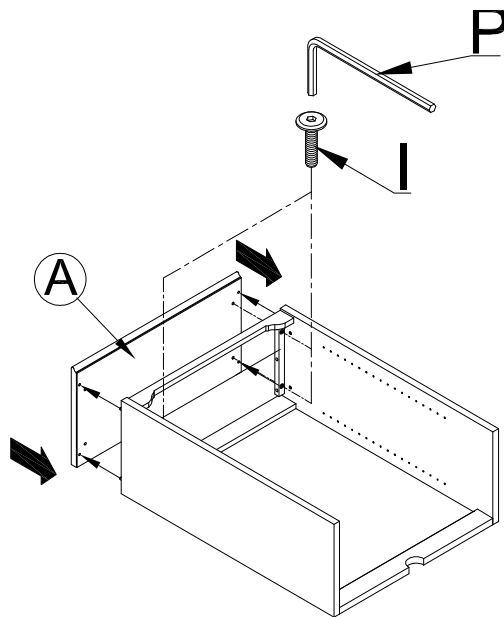
1. Fix the front rail (D), Upper back rail (E) and Bottom back rail (F) to the Left side panel (B) using Screw 8x30mm (K) as shown.



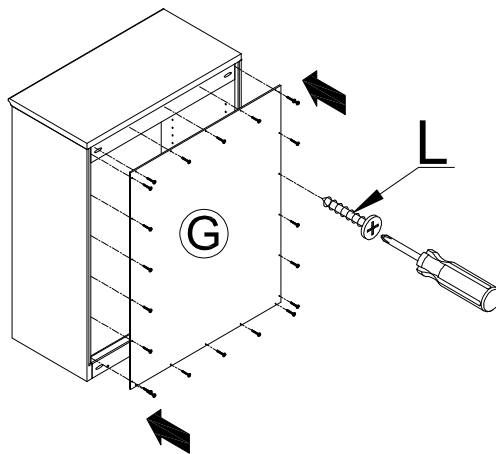
2. Repeat the same steps to Right side panel (C).



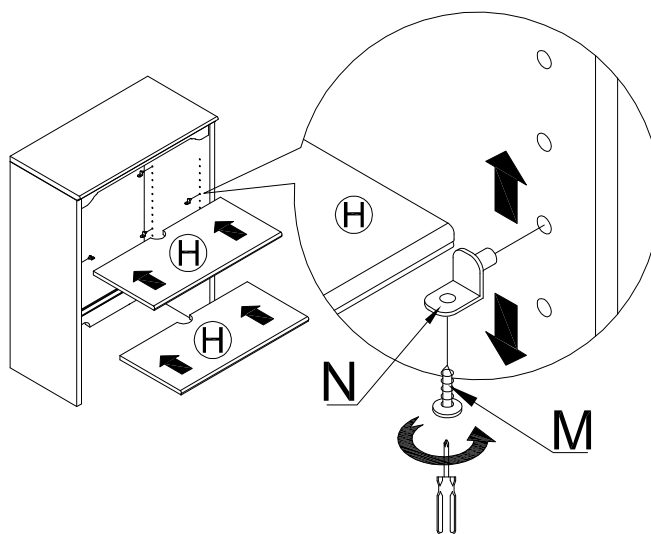
3. Insert the Top panel (A) to the Left side panel (B) and Right side panel (C) using the Long bolt 1/4"x15x25mm (I) and Allen Key as shown.



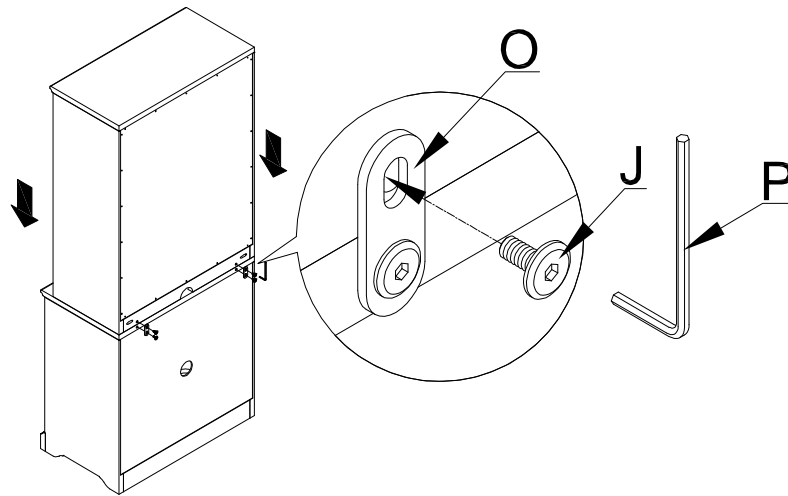
4. Attach the Back panel (G) to Left and Right side panel using Screw 6x19mm (L) as shown.



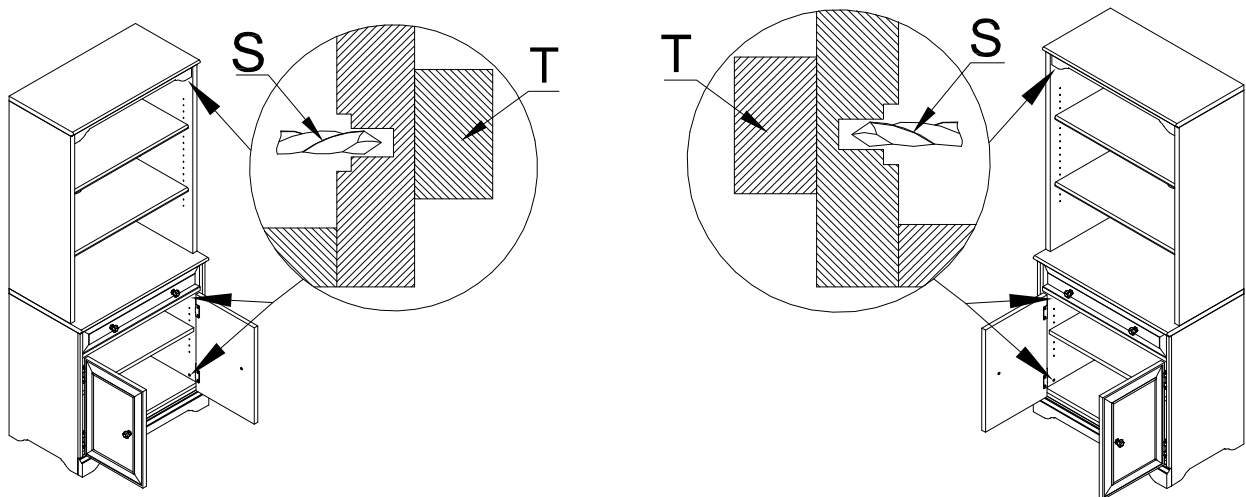
5. Insert two pieces Shelf (H) to the Hutch using Shelf support 5x13x1.5mm (N) and Screw 6x15mm (M) as shown.



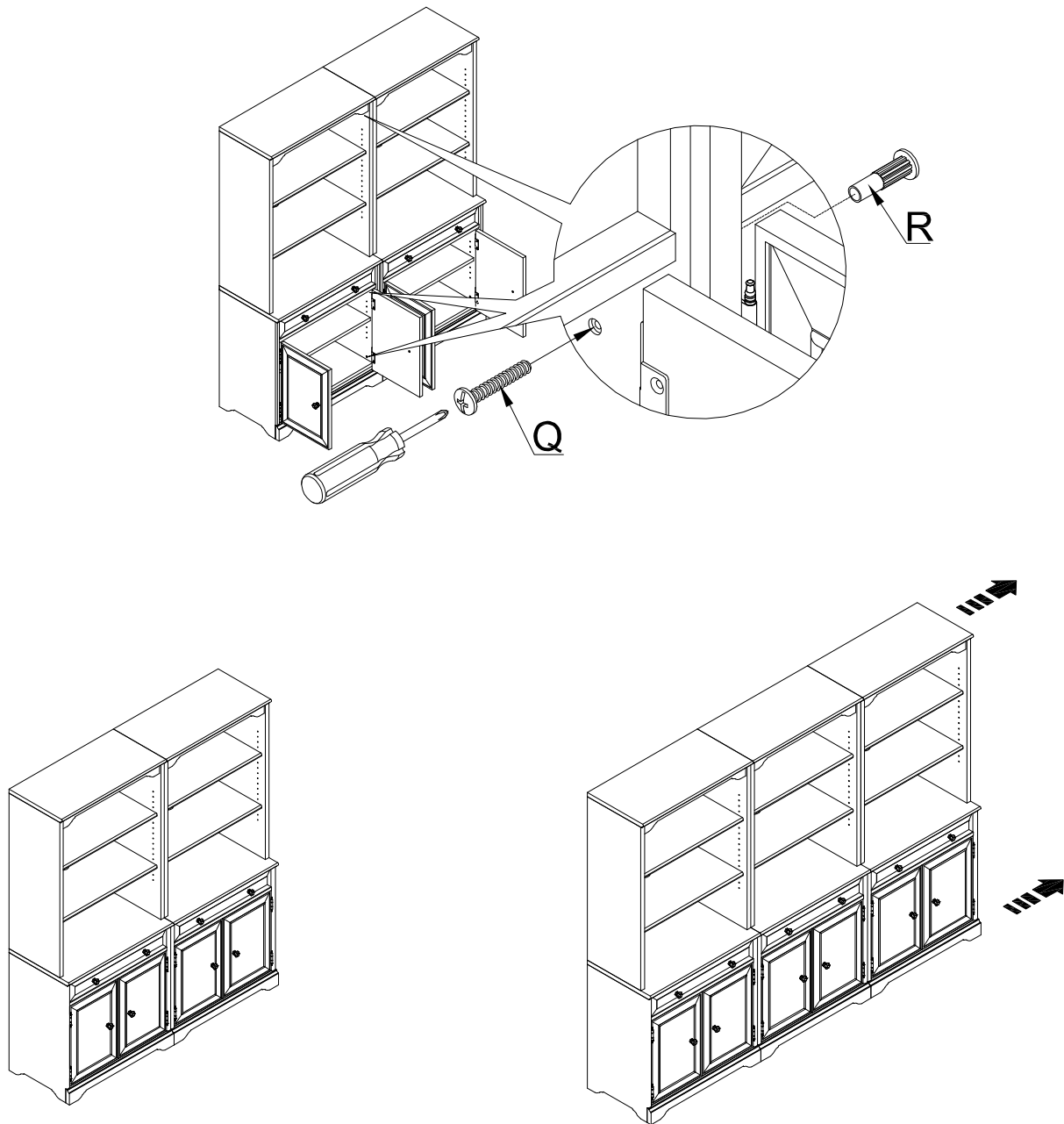
6. Carefully raise the Hutch and set onto the top of the Base, attach the Mounting plate (O) using 4pcs Short bolt 1/4"x15x13mm (J) as shown.



7. Open the door of Base cabinet. Attach the Drill Bit (S) to the Power Drill (not included). Drill to bore through the partially-drilled holes on the side panels of the Base cabinet and Hutch from the insides of the pieces. **Hold and press the Wood block (T) on the opposite side of the hole being drilled to prevent any breakage or damage when drilling. Keep hands away from moving drill bit.** Drill (4) pre-drilled holes in the Base cabinet and 2 in Hutch.



8. Bring all the pieces together. Align the pre-drilled holes on each piece. Fix the Hutch using Sleeve screw 4x9.5x32mm (Q) and Sleeve Nut 4x9.5x28mm(R) as shown. Tighten the two pieces together. Repeat with remaining for the Base Cabinet. Assembly is complete.



Thank you for your purchase.  
stores | catalog | [www.potterybarnkids.com](http://www.potterybarnkids.com)