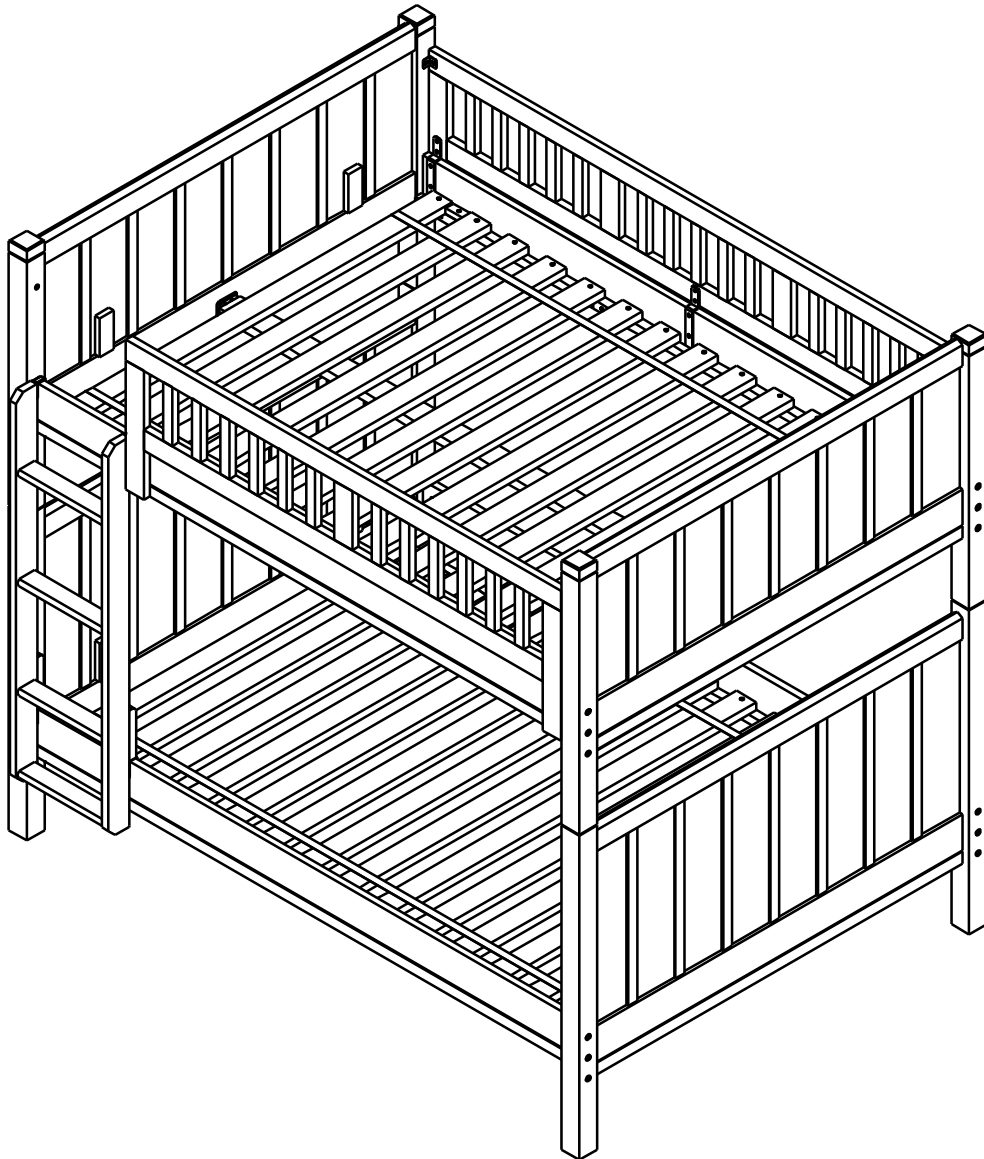


pottery barn kids

CAMP BUNK FULL OVER FULL ASSEMBLY INSTRUCTIONS





WARNING: Failure to follow these warnings and assembly instructions could result in serious injury or death. To help prevent serious or fatal injuries from entrapment or falls:

- Read all instructions before assembling bunk bed.
 - Before each usage or assembly, inspect bunk bed for damaged hardware, loose joints, missing parts or sharp edges. DO NOT use bunk bed if any parts are missing or broken.
 - DO NOT use substitute parts. Contact pottery barn kids for replacement parts and instructional literature if needed.
 - Follow the information on the warnings appearing on the upper bunk end structure and on the carton. DO NOT REMOVE WARNING LABEL FROM BED.
 - Always use the recommended size mattress or mattress support, or both, to help prevent the likelihood of entrapment or falls.
 - Ensure thickness of mattress on upper bunk does not exceed 9 inches and the surface of mattress must be at least 5 inches (127 mm) below the upper edge of guardrails.
 - Only use the 9" thickness mattress on the lower bunk.
 - Ensure both upper and lower bunk are assembled to the highest position when using the product as a bunk bed.
 - Use only mattress which is 74"-75" long and 52.5"-53.5" wide on upper and lower bunk.
 - Do not allow children under 6 years of age to use the upper bunk.
 - Periodically check and ensure that the guardrail, ladder, and other components are in their proper position, free from damage, and that all connectors are tight.
 - Do not allow horseplay on or under the bed and prohibit jumping on the bed.
 - Prohibit more than one person on the upper bunk.
 - Always use the ladder for entering and leaving the upper bunk.
 - Use of a night light may provide added safety precaution for a child using the upper bunk.
 - Always use guardrails on both long sides of the upper bunk. If the bunk bed will be placed next to the wall, the guardrail that runs the full length of the bed should be placed against the wall to prevent entrapment between the bed and wall.
 - The use of water or sleep flotation mattresses is prohibited.
 - If refinishing, use a non-toxic finish specified for children's products.
- STRANGULATION HAZARD** - Never attach or hang items to any part of the bunk bed that are not designed for use with the bed; for example, but not limited to, hooks, belts and jump ropes
- This bunk bed meets the requirements of ASTM F1427-13
- KEEP THESE INSTRUCTIONS FOR FUTURE REFERENCE

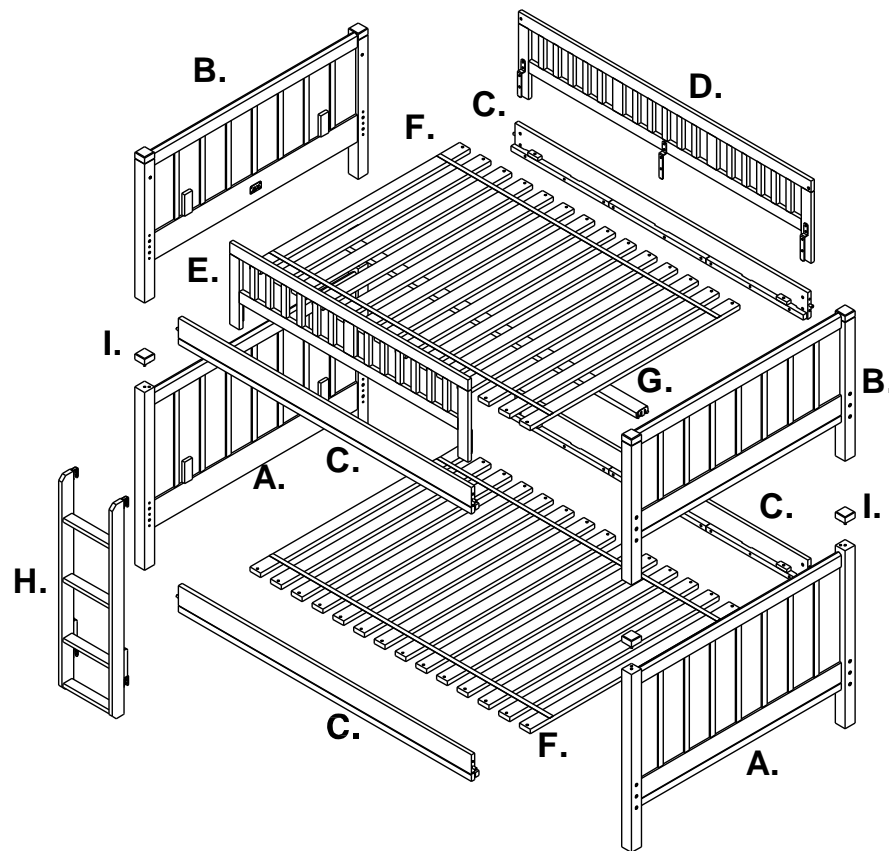
04-000081-6

Important Safety Instructions:

- Please read all instructions carefully before assembling.
- For your safety, assembly by two or more adults is strongly recommended.
- Keep instructions for future use.
- Use only vendor supplied hardware to assemble. Using unauthorized hardware could jeopardize the structural integrity of the item.

Pre-assembly:

- Remove all parts and hardware from the box and lay out on a clear carpeted or scratch-free work surface, as this will avoid damaging parts during assembly. The shipping box provides an ideal work surface.
- Do not dispose of any packaging or contents of the shipping carton until assembly is completed to avoid accidentally discarding small parts or hardware.
- Use the parts and hardware lists below to identify and separate each of the pieces included.
- The illustrations provided allow for easier assembly when used in conjunction with the assembly instructions.
- The use of power tools to aid in assembly is not recommended. Power tools can damage hardware and split wood.



PARTS INCLUDED:	
(A). Tall End Board	2x
(B). Short End Board	2x
(C). Side Rail	4x
(D). Long Guardrail	1x
(E). Short Guardrail	1x
(F). Slat Roll	2x
(G). Support Rail	1x
(H). Ladder	1x
(I) Finial	4x





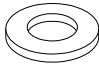

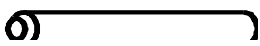
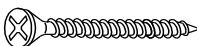


Tools Required:

Philips Head Screw Driver



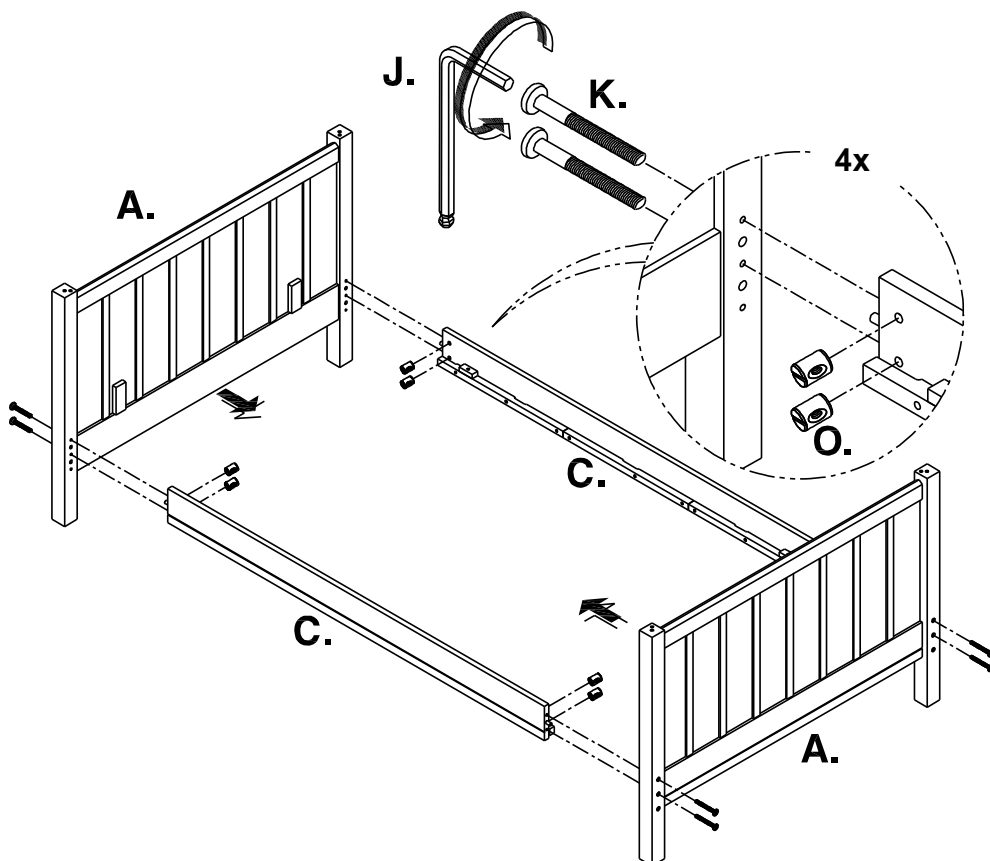
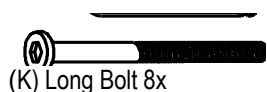
(not included)

HARDWARE INCLUDED:

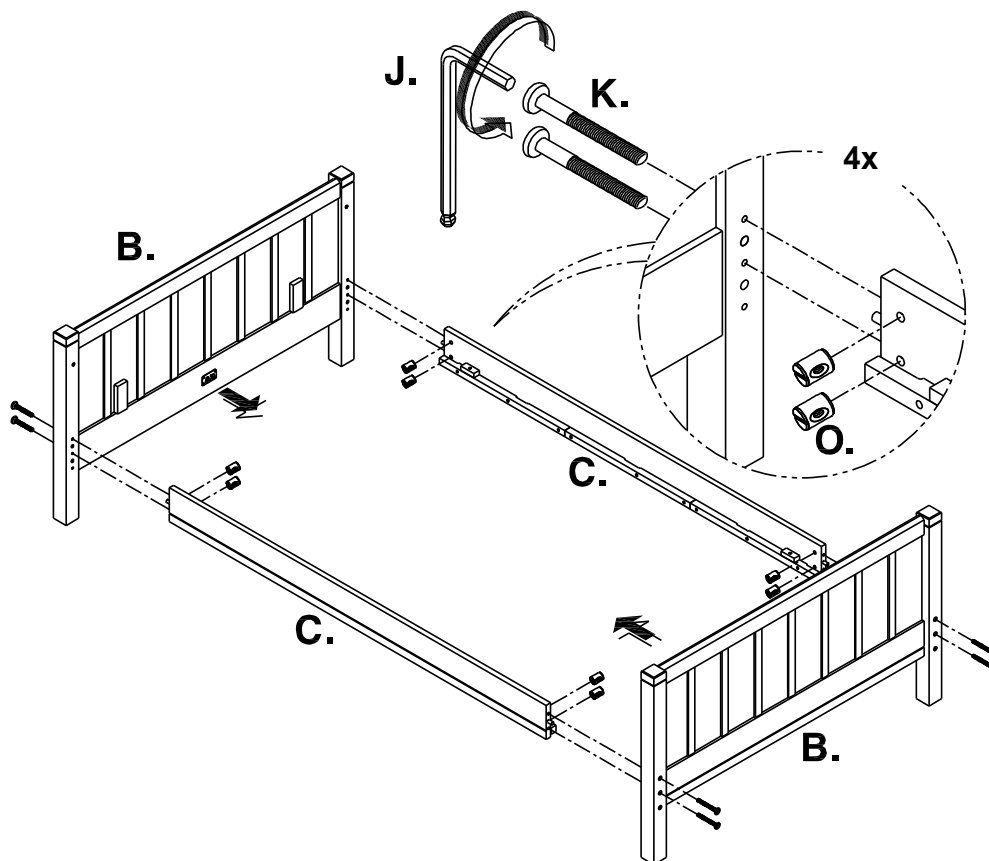
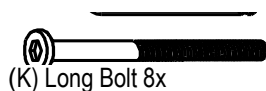
 (J). Allen Key – 1pc	 (K) Long Bolt M8x110mm – 16x	 (L) Short Bolt M6x13mm – 6x
 (M) Spring Washer – 6x	 (N) Flat Washer – 6x	 (O) Barrel Nut – 16x
 (P) Metal Dowel 110mm – 4x	 (Q) Long Screw 4x30mm – 56x	 (R) Short Screw 4x19mm – 18x
 (S) Corner Bracket – 3x		

Assembly Instruction Steps:

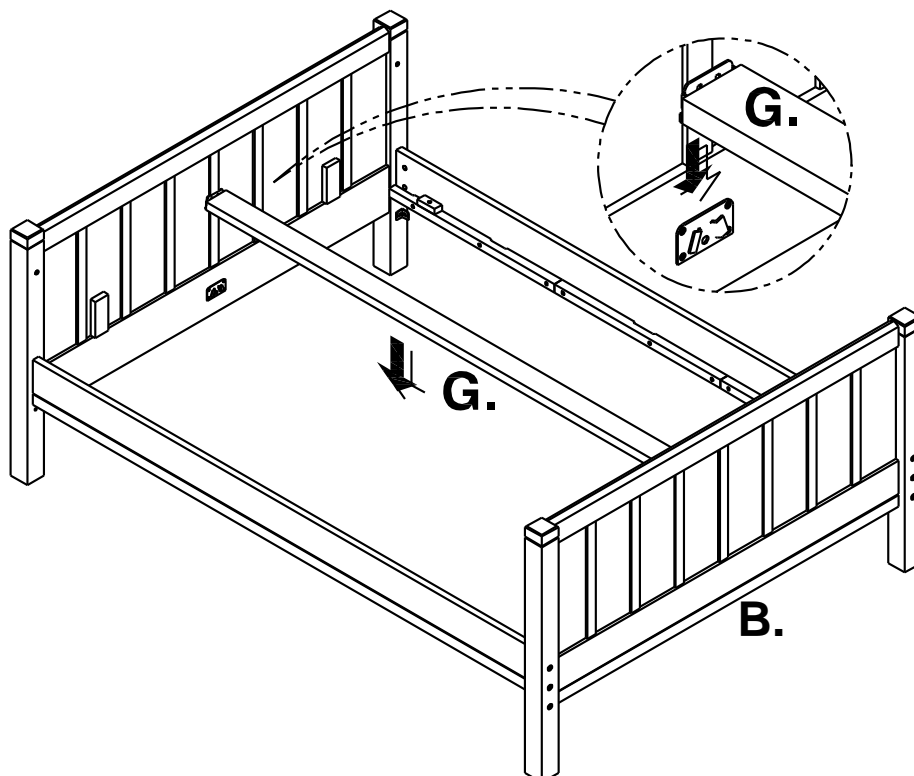
1. Assemble lower bed using (2) Tall End Board (A) and (2) Side Rails (C) and securing with Long Bolts (K) and Barrel Nuts (O) as shown. **Ensure side rails are installed in the upper holes.**



2. Assemble upper bed using (2) Short End Board (B) and (2) Side Rails (C) and securing with Long Bolts (K) and Barrel Nuts (O) as shown. **Ensure side rails are installed in the upper holes.** Do not tighten bolts - leave flex between ends and side to assemble guardrails. Make sure metal brackets pre-installed on the Short End Boards face each other.

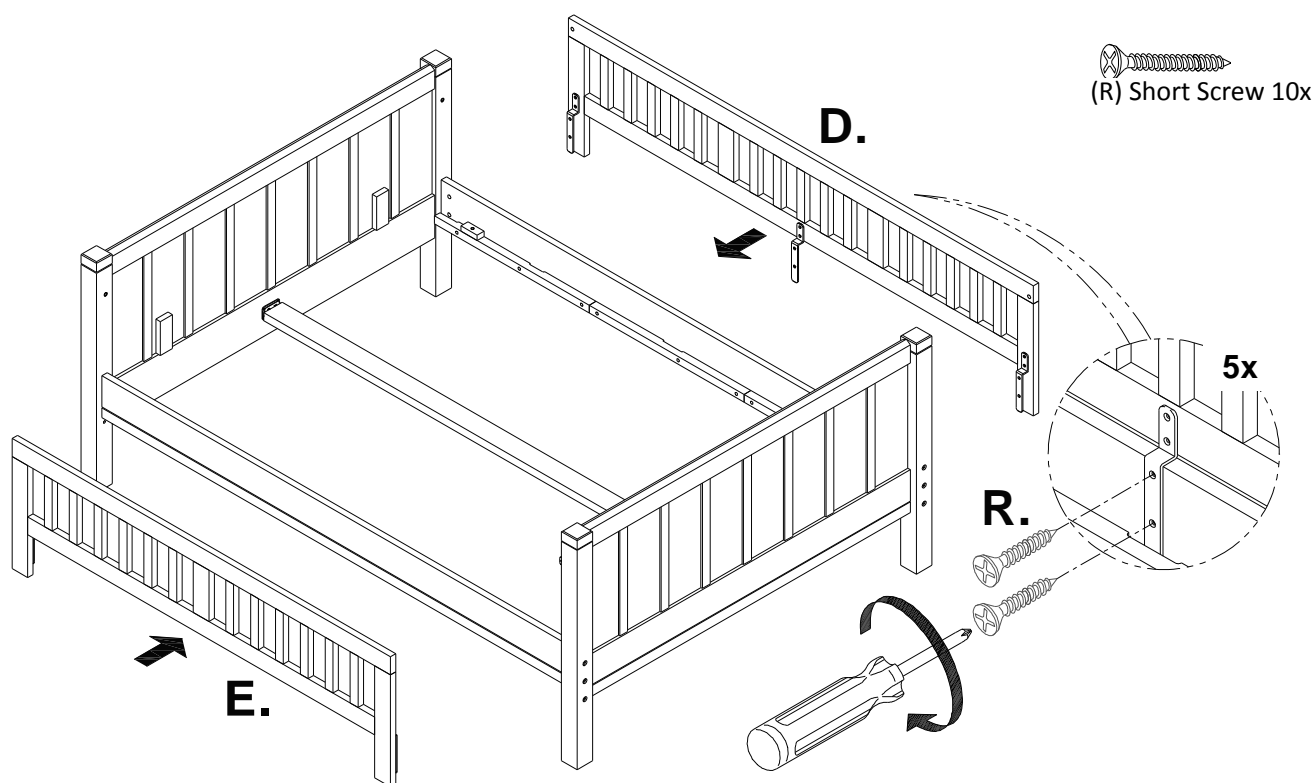


3. Attach the Support Rail (G) to the assembled upper bed by aligning metal brackets located on two ends of the Support Rail (G) to metal brackets located on the Short End Boards (B). Press firmly to ensure the Support Rails sit well in the upper bed.

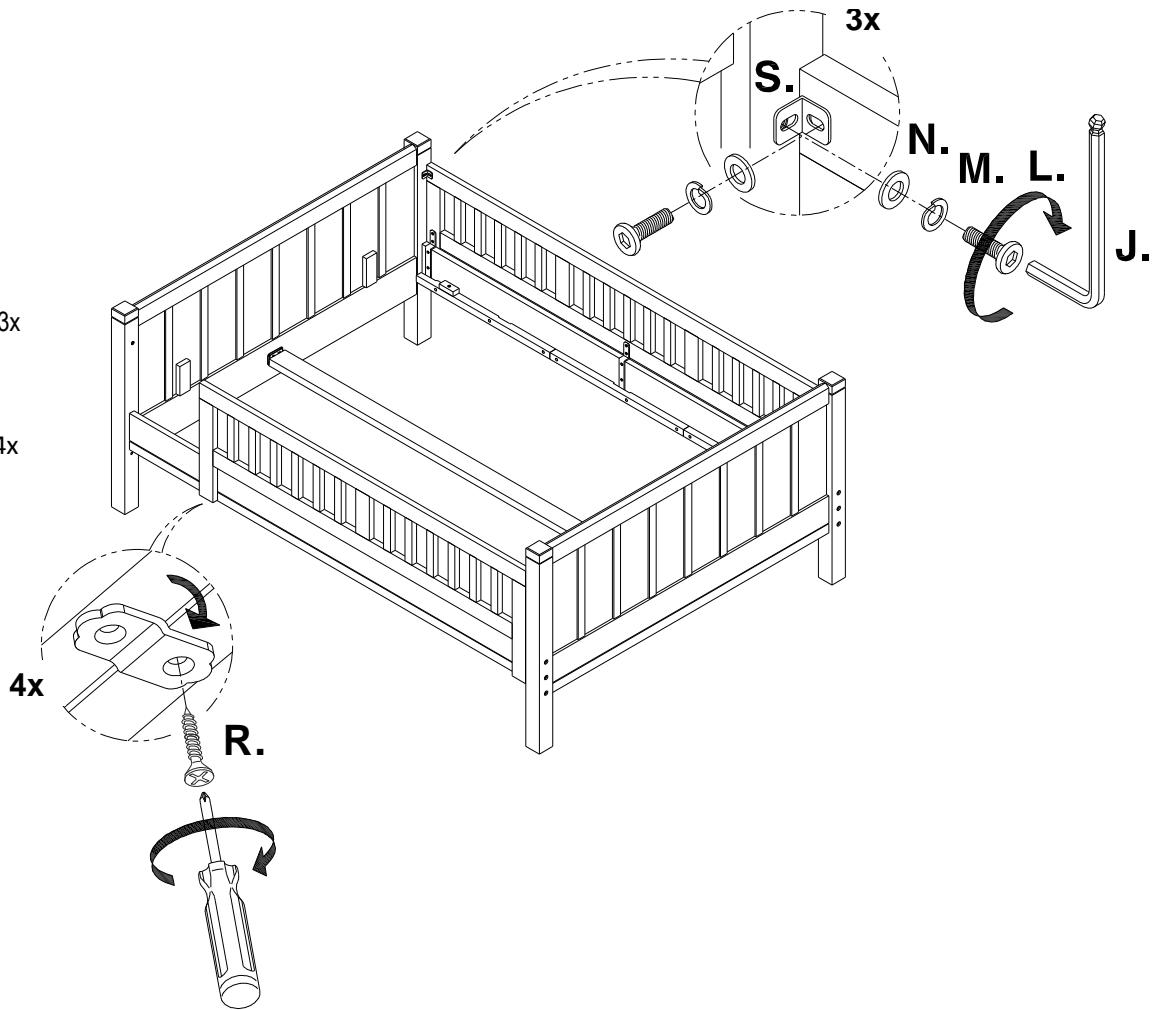


4. Insert the Long Guardrail (D) by spreading ends from side rail as shown. The guardrail slats go to outside of bed rail and the Brackets go to inside of back bed rail into cut outs on the bed slat support cleat. Insert (6) Short Screw (R) through holes on the brackets into side rail with a Philips Head Screw Driver.

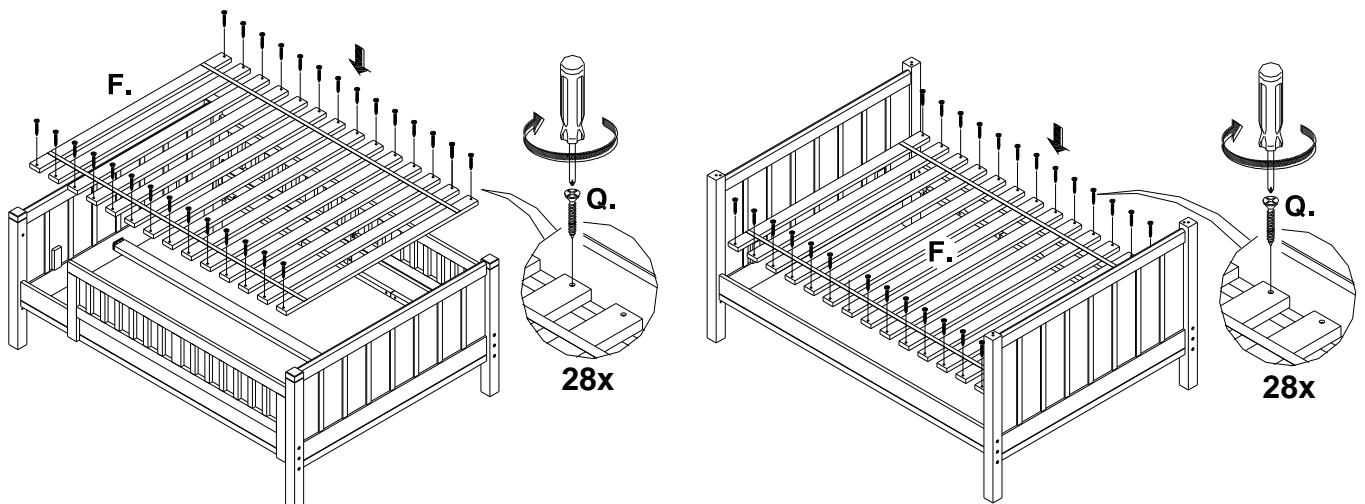
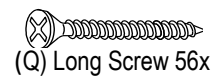
Determine the desired location of the ladder opening. Then install the Short Guardrail (E) on the front side rail with brackets facing inward and the guardrail slats out. Fasten the Short Guardrail to Side Rail by (4) Short Wood Screw (R). Make sure there is no gap in between the guardrail end and the Short End Board (B) opposite the desired entry point before you start screwing the parts.



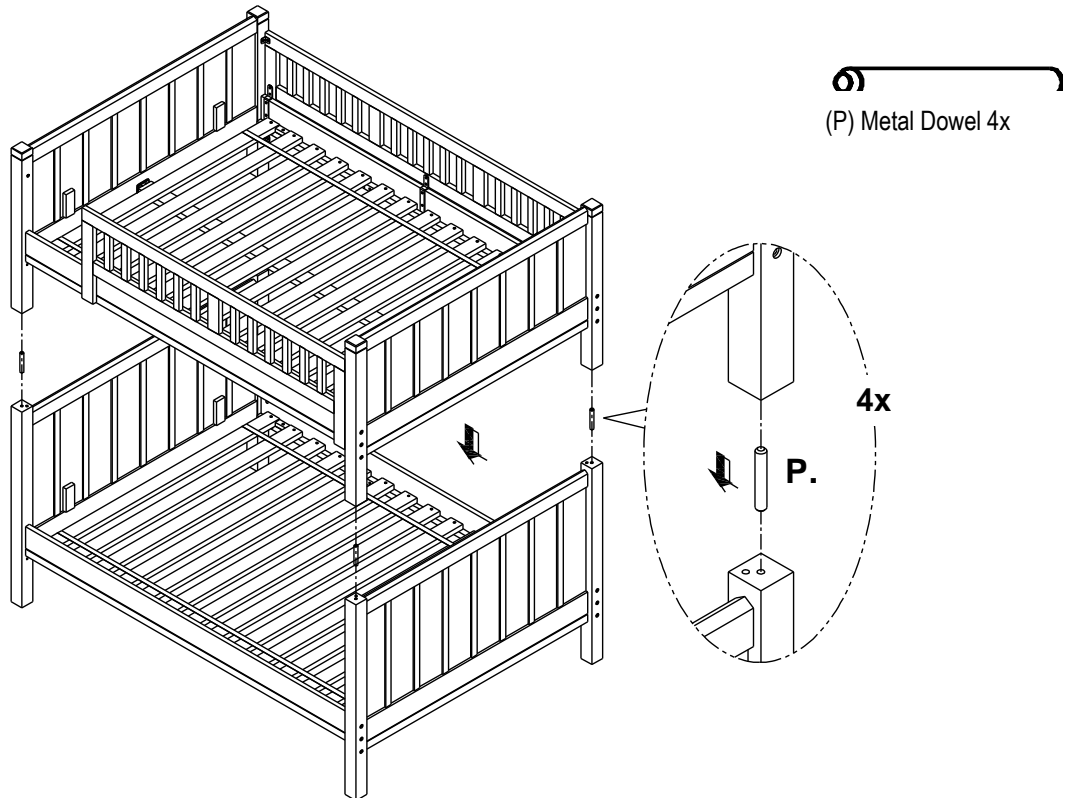
5. Slide a Spring Washer (M), a Flat Washer (N) onto each Short Bolt (L). Align (3) Corner Bracket (S) to pre-drilled holes in upper corner of the Short End Boards and Long/Short Guardrail and insert Short Bolts with washers to secure. Turn brackets on bottom of Guardrails posts and secure to underside of bed rails using Short Screw (R) as shown.



6. Extend and place the Slat Roll (F) to bed frames and use (56) Long Screw (Q) to secure as shown.

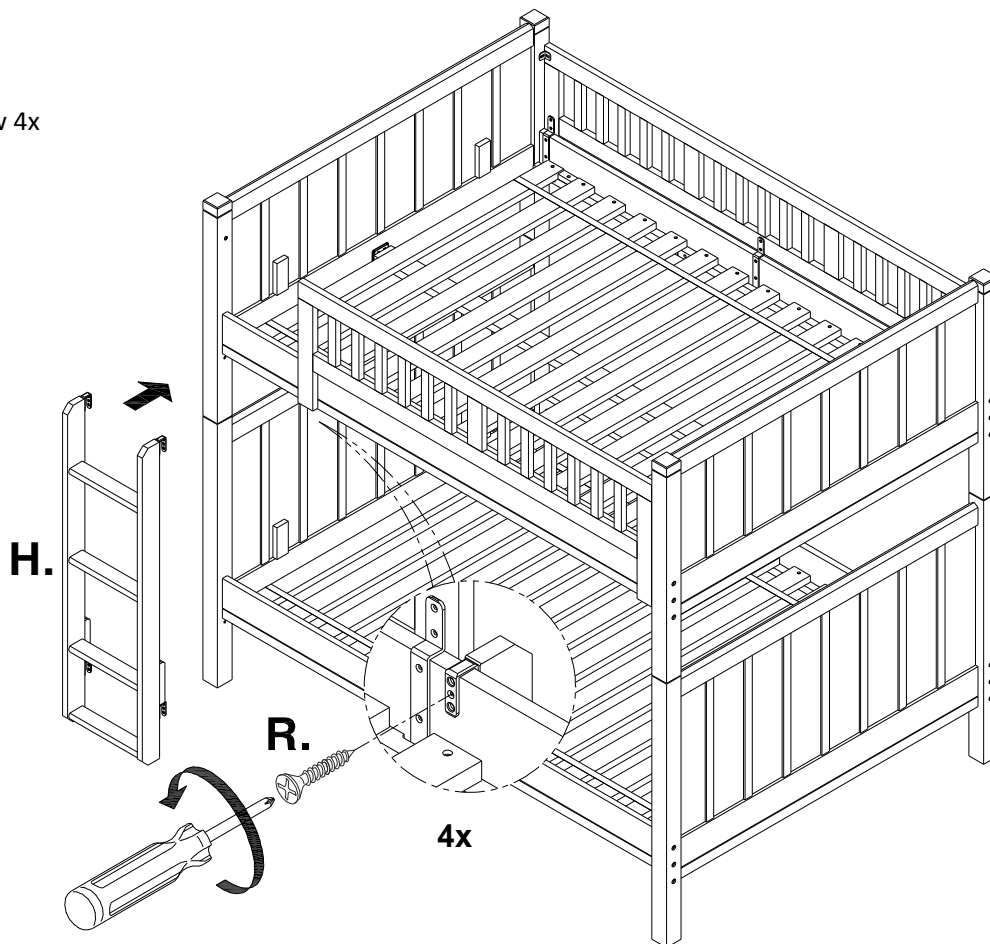


7. Insert Metal Dowels (P) into top of posts of lower bed assembly (with Tall End Boards). Lift upper bed (with Short End Boards) over bottom bed and make sure Metal Dowels (P) are well inserted in bottoms of upper bed posts.



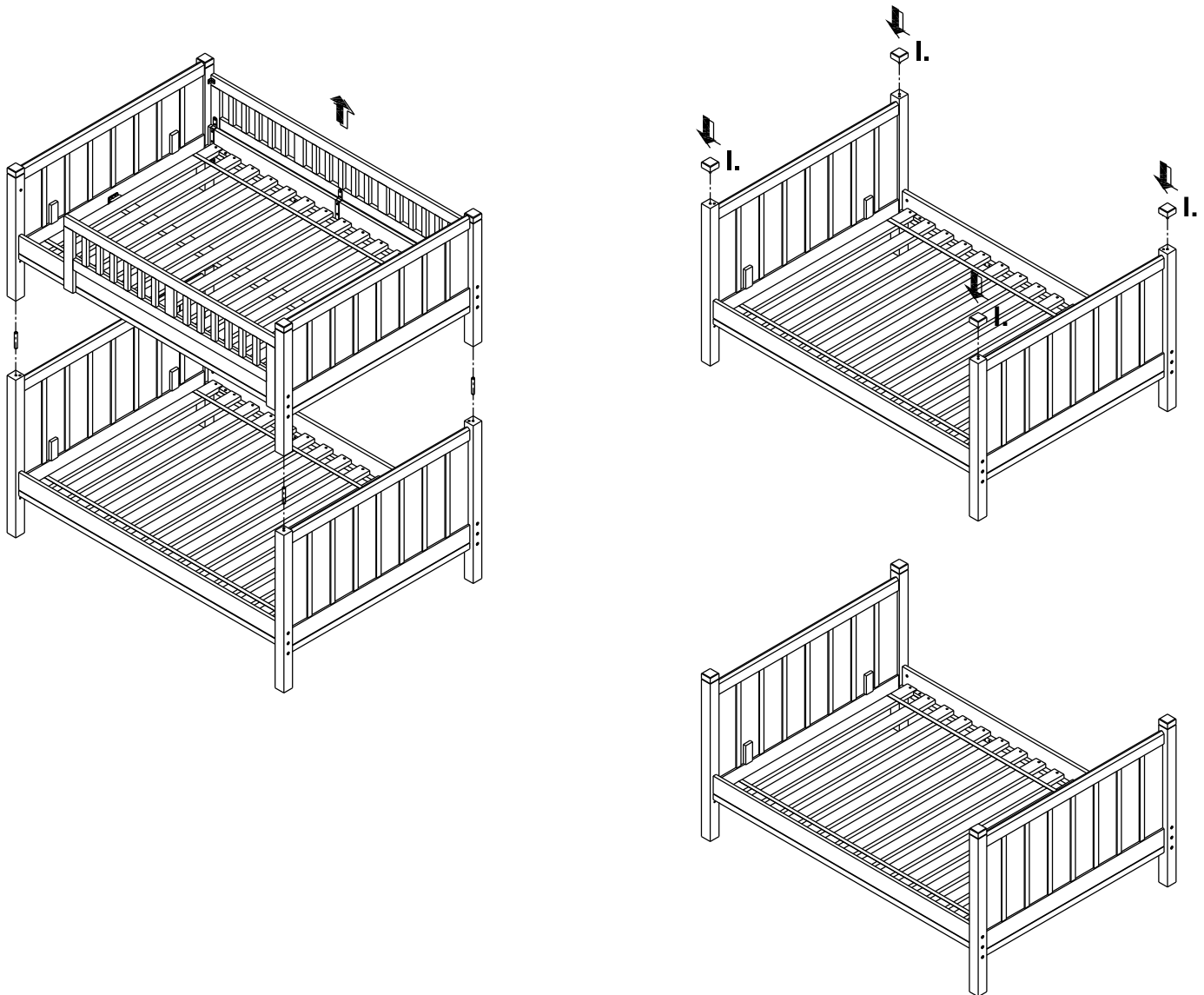
8. Attach the Ladder (H) to Opening of the Guardrail and ensure the pre-install hooks on the ladder sit well on side rails of upper and lower beds. Insert (4x) Short Screw (R) to secure.

(R) Short Screw 4x



9. To convert bunk bed into two full beds, remove upper bed and place it on floor. Place (4) Finial (I) on posts of the lower bed.

Note: There are two positions of the side rails on each bed. To use with a trundle (sold separately), make sure you assemble the side rails using the two upper holes on posts of Tall/Short End Panels.



Care Instructions:

- Dust often using a clean, soft, dry and lint-free cloth.
- Blot spills immediately and wipe with a clean, damp, cloth.
- We do not recommend the use of chemical cleansers, abrasives or furniture polish on our lacquered finish.
- Hardware may loosen over time. Periodically check to make sure all connections are tight. Re-tighten if necessary.

Thank you for your purchase
Stores | catalog | www.potterybarnkids.com
USA 1.800.290.8181