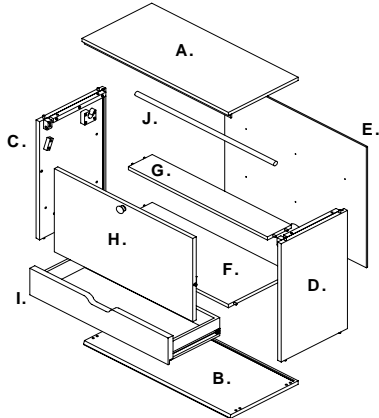


# pottery barn kids CAMERON CRAFT CUBBY

## PRE-ASSEMBLY:

- Read all instructions before beginning assembly. The illustrations provided allow for easier assembly when used in conjunction with the assembly instructions.
- For your safety and ease, assembly by two adults is recommended.
- Remove all parts and hardware from the box and lay out on a clean, carpeted, or scratch-free work surface. Use care as some parts or hardware may have sharp points or edges.
- Do not dispose of any contents until assembly is completed to avoid accidentally discarding small parts or hardware.
- Use the parts and hardware lists to identify and separate each of the pieces included.
- Note: Do not fully tighten all bolts until all parts are in place. Failure to follow these instructions may cause the bolts to misalign during assembly.
- The use of power tools for assembly is not recommended. Power tools can damage hardware or split wood.



## PARTS INCLUDED:









- |                            |                       |
|----------------------------|-----------------------|
| (A) Top Panel – 1pc        | (F) Large Shelf – 1pc |
| (B) Bottom Panel – 1pc     | (G) Small Shelf – 1pc |
| (C) Left Side Panel – 1pc  | (H) Door – 1pc        |
| (D) Right Side Panel – 1pc | (I) Drawer Box – 1pc  |
| (E) Back Panel – 1pc       | (J) Wooden Rod -1pc   |

## TOOLS REQUIRED:

Philips Screwdriver (Not included)

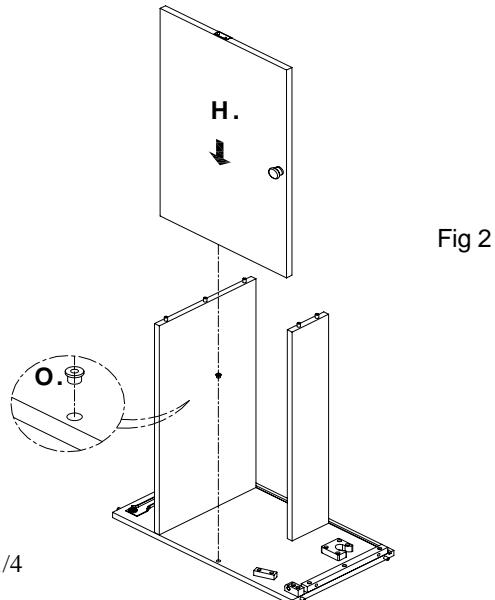
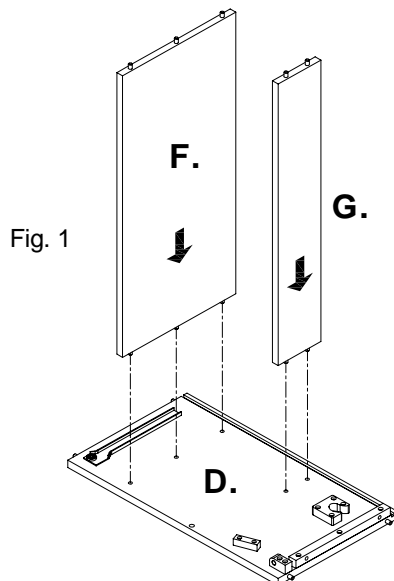


## HARDWARE INCLUDED:

 (K) Allen Key – 1pc	 (L) Allen Bolt 1/4"x28mm – 8pcs	 (M) Spring Washer – 8pcs	 (N) Flat Washer – 8pcs
 (O) Plastic Cap – 2pcs	 (P) T-Shape Bracket – 2pcs	 (Q) Square Bracket – 1pcs	 (R) Wood Screw 3 x12mm – 22pcs

## ASSEMBLY INSTRUCTIONS:

1. Place the Right Side Panel (D) on the working surface. Align and connect the wooden dowels on Large/Small Shelf (F&G) to the pre-drilled holes on the Right Side Panel (D). (Fig. 1)
2. Insert a Plastic Cap (O) into the pre-drilled hole on the Right Side Panel (D), align and connect the Door (H) onto the Plastic Cap (O). Make sure the wooden knob on the Door (H) is close to the end of the wooden cleats on the Right Side Panel. (Fig. 2)



3. Insert the remaining Plastic Cap (O) into the pre-drilled hole on the Left Side Panel (C) and place the Left Side Panel (C) on the assembled piece. (Fig. 3)
4. Align and connect the Bottom Panel (B) to the assembled piece. Slide a Spring Washer (M), Flat Washer (N) onto an Allen Bolt (L). Insert the Allen Bolt (L) from bottom of the Bottom Panel (B) into the pre-drilled holes on the Left/Right Panel. Repeat with another (3) Allen Bolts. (Fig. 4)

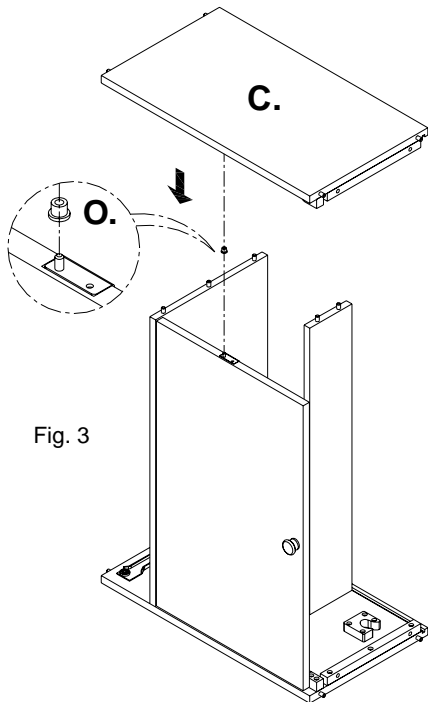


Fig. 3

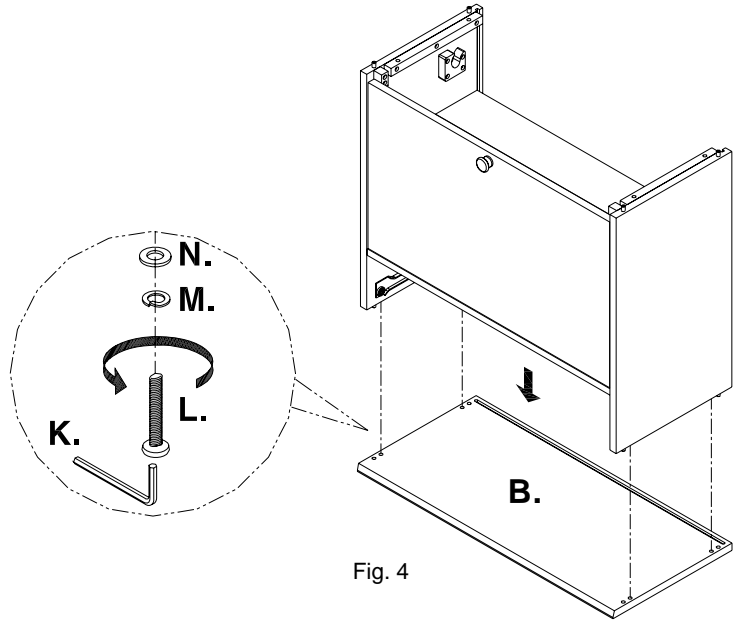


Fig. 4

5. Slide the Back Panel (E) into the grooves on the Left/Right Side Panel. Use (6) Wood Screws (R) to secure the Back Panel (E) to the Large/Small Shelf (F&G). (Fig. 5)

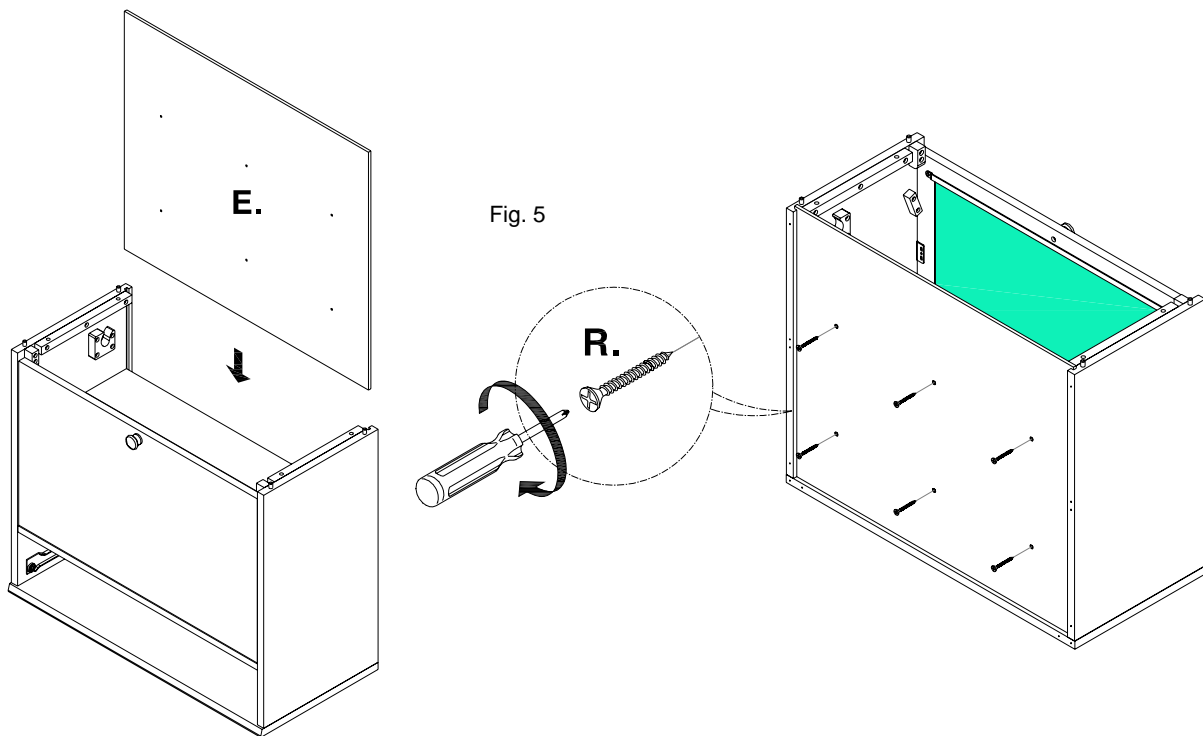
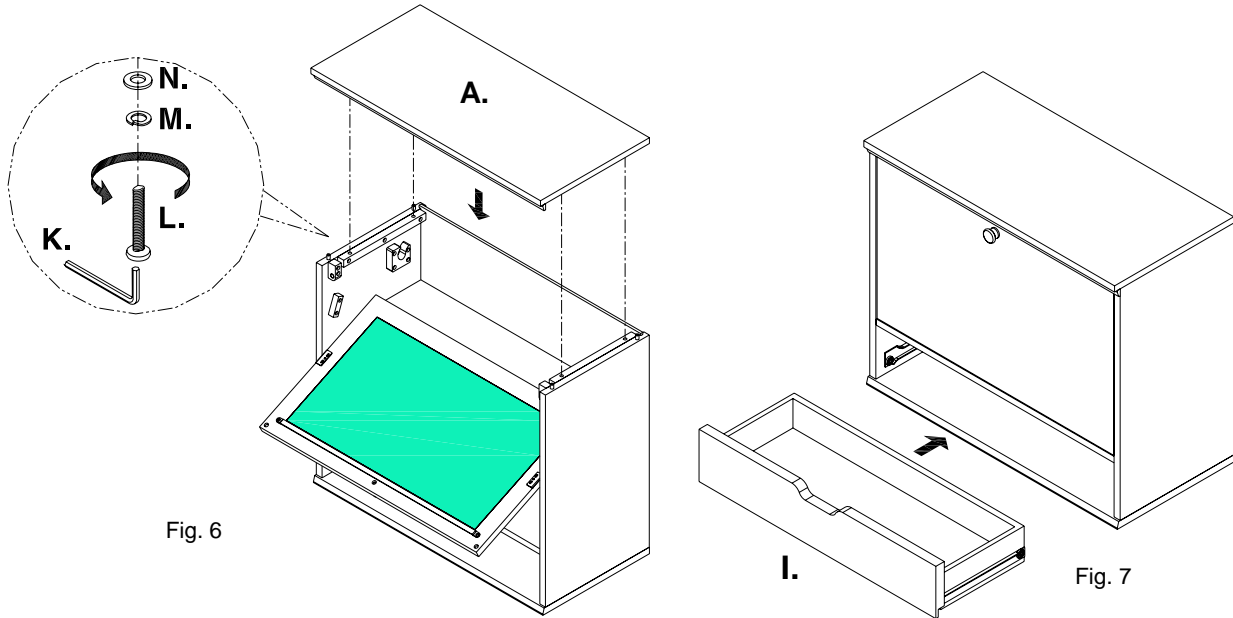
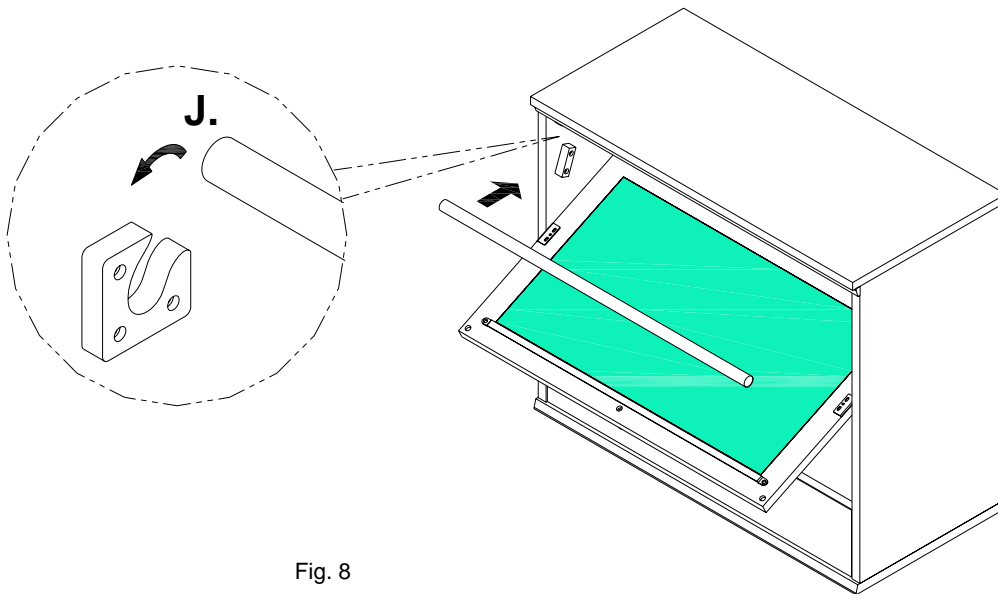


Fig. 5

- Place the Top Panel (A) on the assembled piece. Flip the Door (H) open as shown. Slide a Spring Washer (M), Flat Washer (N) onto an Allen Bolt. Insert the Allen Bolt from bottom of the wooden cleats located on the Left/Right Side Panel into the pre-drilled holes on the Top Panel (A). Repeat with the remaining (3) Allen Bolts. (Fig. 6)
- Lift and push the Drawer Box into the assembled piece. (Fig 7)

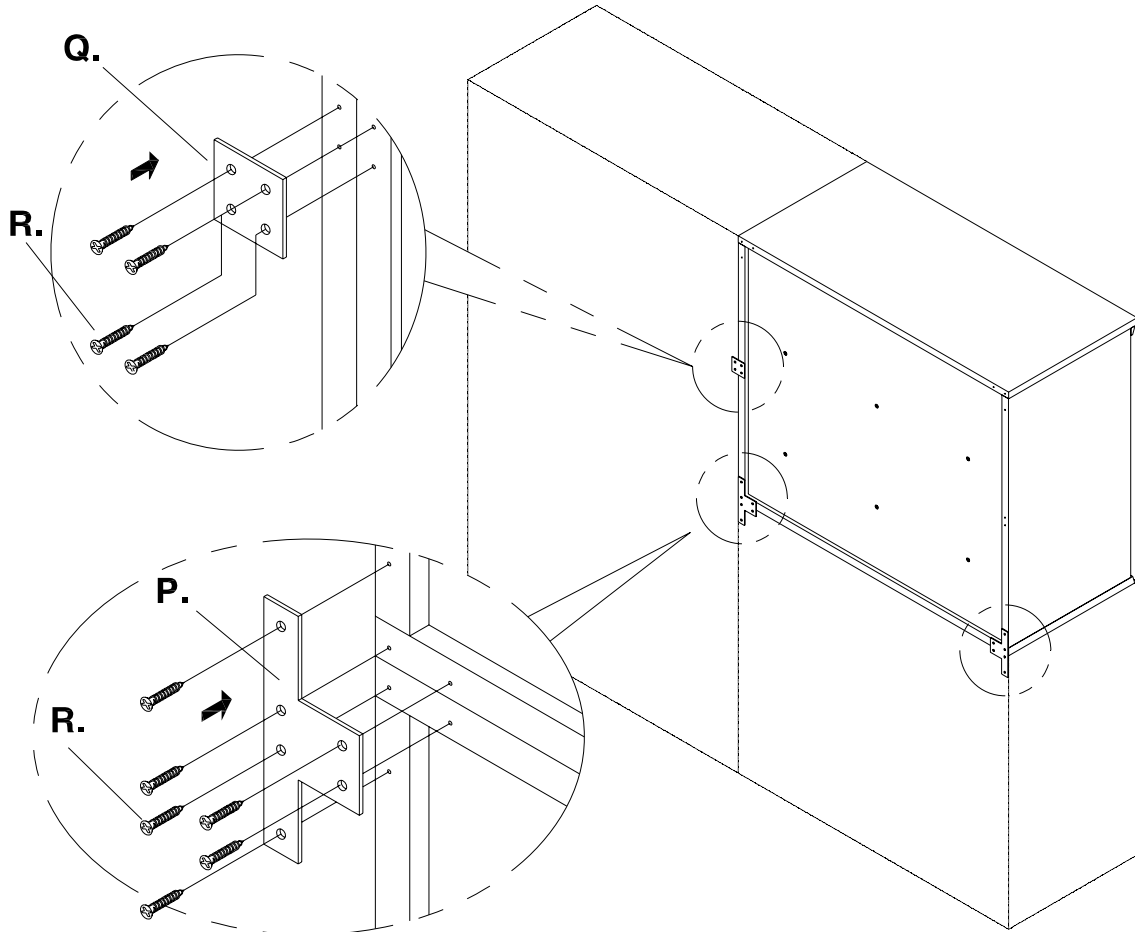


- Place the Wooden Rod (J) on the hanger brackets inside the cubby. Secure all bolts before use. (Fig. 8)



#### MENDING PLATE CONNECTIONS:

- If connecting Cubby piece to Base piece, use (2) T-Shape Bracket (P) and (12) Wood Screws (R).
- If connecting to Cubby piece to Cubby piece, use (1) Square Bracket (Q) and (4) Wood Screws (R).



#### CARE INSTRUCTIONS:

- Dust often using a clean, soft, dry lint-free cloth.
- Blot spills immediately, and wipe with a clean, damp, cloth.
- We do not recommend the use of chemical cleansers, abrasives, or furniture polish on our lacquered finish.

Thank you for your purchase.  
stores | catalog | [www.potterybarnkids.com](http://www.potterybarnkids.com)  
USA 1.800.290.8181