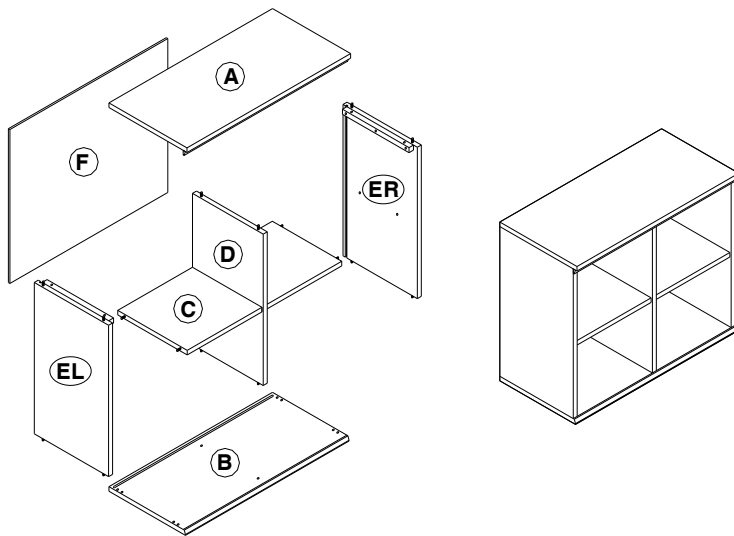


# pottery barn kids

## Cameron Wall System Cubby

### PRE-ASSEMBLY:

- For your safety and ease, assembly by two adults is recommended.
- Please read all instructions before beginning assembly. The illustrations provided allow for easier assembly when used in conjunction with the assembly instructions.
- Remove all parts and hardware from box and lay out on a carpeted or scratch-free work surface. The shipping box provides an ideal work surface. Do not dispose of any contents until assembly is completed to avoid accidentally discarding small parts or hardware.
- Use the parts and hardware lists to identify and separate each of the pieces included prior to starting assembly.
- Note: DO not fully tighten the bolts until all parts are in place. Failure to follow these instructions may cause the bolts to misalign during assembly.
- The use of power tools for assembly is not recommended. Power tools can damage hardware or split wood.



### PARTS INCLUDED:

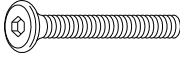






- (A) Top Panel – 1pc
- (B) Bottom Panel – 1pc
- (C) Long Shelf Panel – 1pc
- (D) Short Shelf Panel – 1pc
- (EL) Left Side Panel – 1pc
- (ER) Right Side Panel – 1pc
- (F) Back Panel – 1pc

### TOOLS REQUIRED:

Philips Screwdriver (Not included)

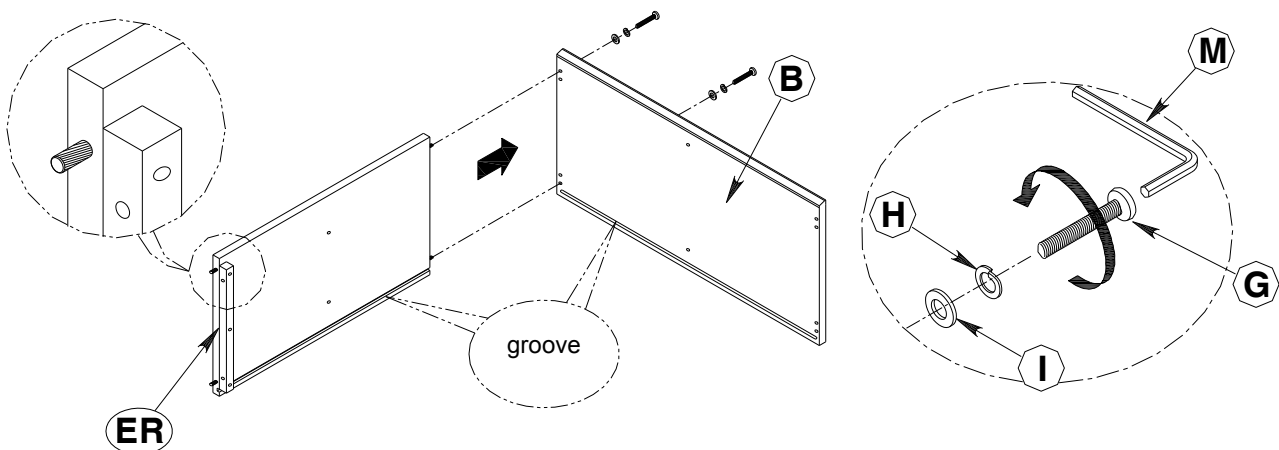


### HARDWARE INCLUDED:

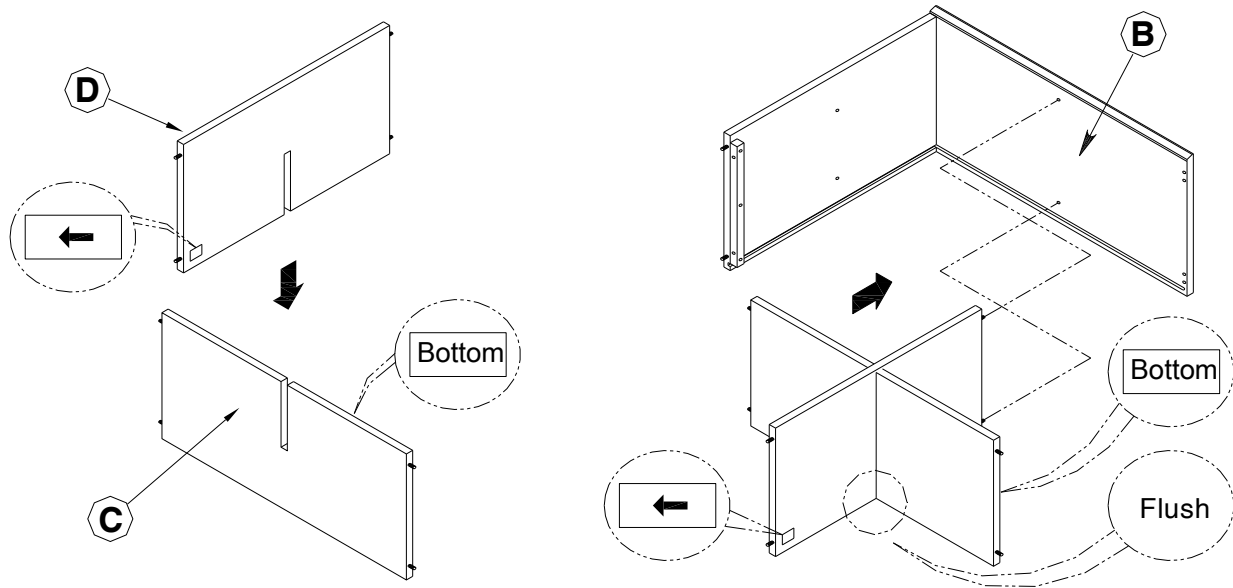
 (G) Allen Bolt 1/4" x 28mm – 8pcs	 (H) Spring Washer – 8pcs	 (I) Flat Washer – 8pcs	 (J) T-Shape Bracket – 2pcs
 (K) Wood Screw 3 x 12mm – 16pcs	 (L) Square Bracket – 1pc	 (M) Allen Key – 1pc	

### ASSEMBLY INSTRUCTIONS:

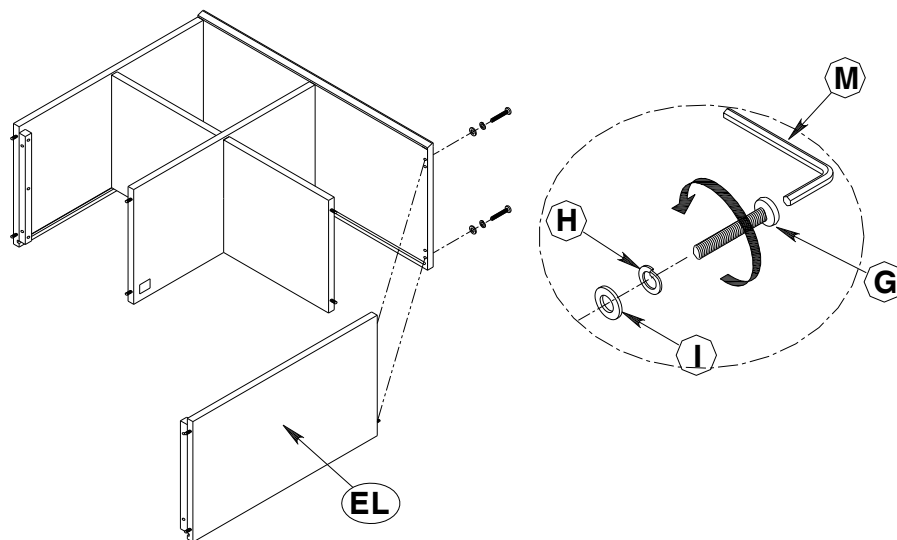
1. Connect Right Side Panel (ER) to Bottom Panel (B) and ensure the grooves align to each other. Slide a Spring Washer (H), Flat Washer (I) onto an Allen Bolt (G). Insert the Allen Bolt from pre-drilled holes on bottom of the Bottom Panel to the insert nuts located on bottom of the Right Side Panel (ER). Repeat with another Allen Bolt. Do not fully tighten the bolts.



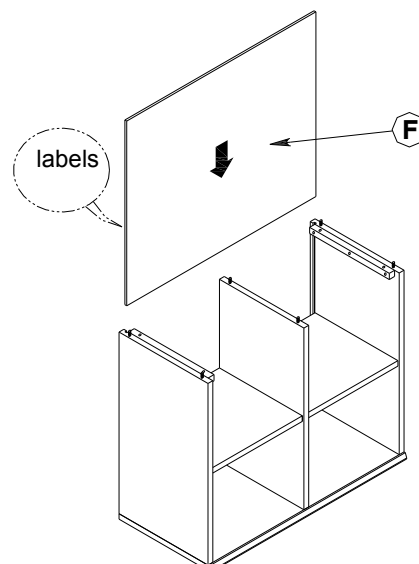
- Align and cross the Long Shelf Panel (C) with the Short Shelf Panel (D) as shown. Attach the cross shelf panels to the pre-drilled holes located in middle of the Bottom Panel. The "BOTTOM" sticker on the Long Shelf Panel should face the Bottom Panel.



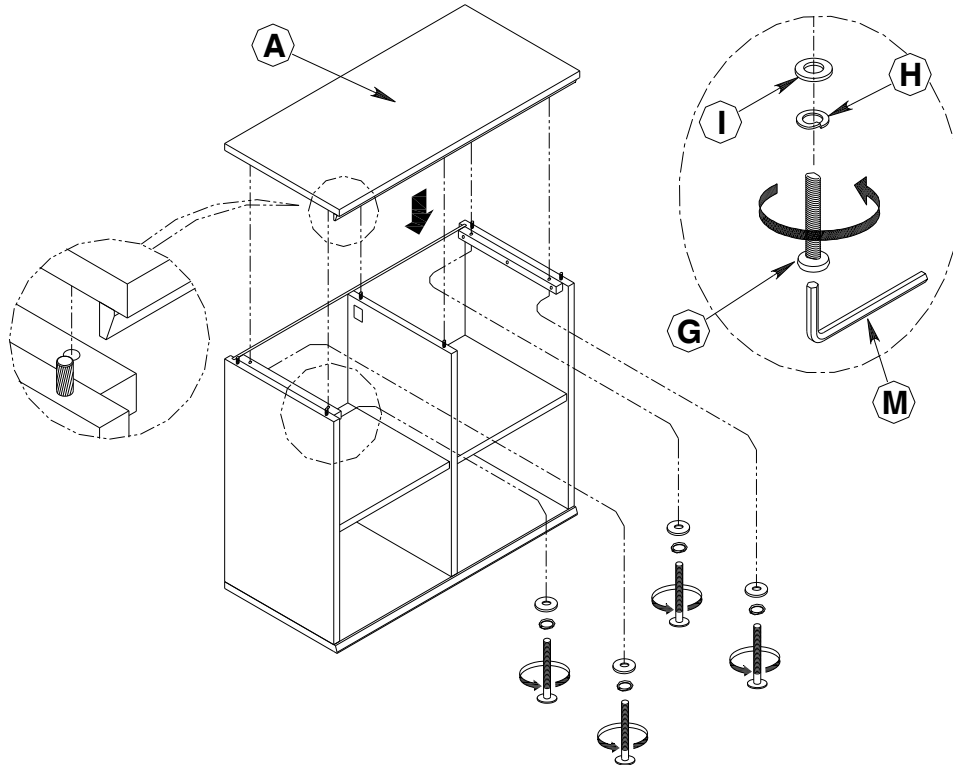
- Align and attach the Left Side Panel (EL) to the assembled piece. Note that the grooves on the Left/Right Side Panels and Bottom Panel should align together. Slide a Spring Washer (H), Flat Washer (I) onto an Allen Bolt (G). Insert the Allen Bolt from pre-drilled holes on bottom of the Bottom Panel to the insert nuts located on the Left Side Panel. Repeat with another Allen Bolt. Check alignments and tighten all bolts



- Upright the assembled piece. Slide the Back Panel (F) into the grooves on the assembled piece. The side with labels is the rear side.



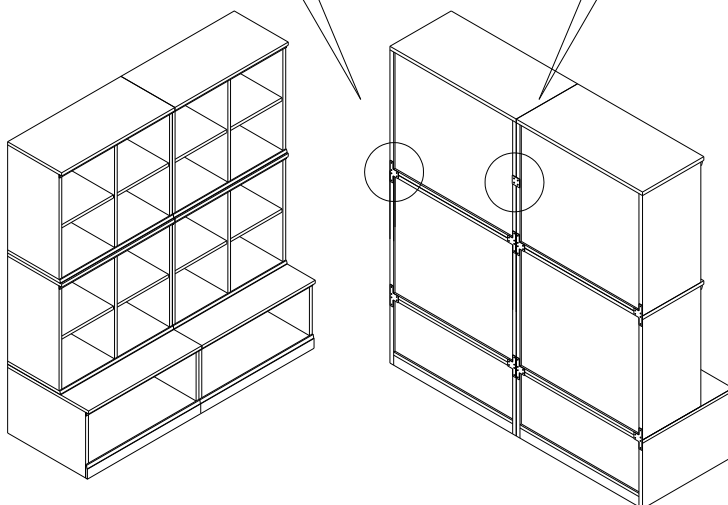
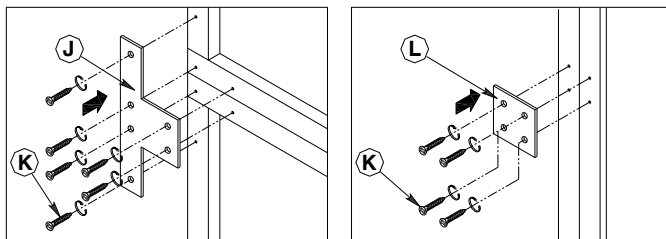
- Align the wooden dowels and connect the Top Panel (A) to the assembled piece. Slide a Spring Washer (H), Flat Washer (I) onto an Allen Bolt (G). Insert the Allen Bolt from bottom of wooden cleats located on the Left/Right Side Panels into the pre-drilled holes on the Top Panel (A) . Repeat with the remaining (3) Allen Bolts.



- Check and tighten all connecting bolts.

**MENDING PLATE CONNECTIONS:**

- If connecting Cubby piece to Base piece, use (2) T-Shape Bracket (J) and (12) Wood Screws (K).
- If connecting to Cubby piece to Cubby piece, use (1) Square Bracket (L) and (4) Wood Screws (K).



**CARE INSTRUCTIONS:**

- Dust often using a clean, soft, dry lint-free cloth.
- Blot spills immediately, and wipe with a clean, damp, cloth.
- We do not recommend the use of chemical cleansers, abrasives, or furniture polish on our lacquered finish.

Thank you for your purchase.  
 stores | catalog | [www.potterybarnkids.com](http://www.potterybarnkids.com)  
 USA 1.800.290.8181

# pottery barn kids

## FURNITURE TIPPING RESTRAINT

**WARNING:** This product is only a deterrent. It is not a substitute for proper adult supervision. Manufacturer assumes no liability for improper installation or excessive loads placed on screws, brackets or straps.

Young children may be injured by tipping furniture and the use of a tipping restraint is highly recommended.

When properly installed, this restraint will provide protection against tipping of furniture. This tipping restraint **MUST** be secured to a wall-stud or wall structure of similar strength.

---

Hardware included: (2) Brackets (1) Nylon Strap  
(2) Long Stud Mounting Screws (2) Short Furniture-Side Mounting Screws

Note: For safe mounting it is essential to use the proper hardware for your wall type. The included hardware is for drywall or stud mounting only. For other wall types (e.g., plaster, concrete and brick) please consult your local hardware store for fastener advice.

To install:

**1) LOCATING THE STUDS:** Use a stud finder to locate the vertical wooden studs within your wall located behind the final position of the furniture item. Mark the stud locations with a light pencil-mark.

**2) MOUNTING THE FURNITURE-SIDE BRACKET:** Move the furniture item close to the wall to its final position. Use pieces of tape or a pencil to transcribe the stud locations of the wall onto the furniture item. Move the furniture item again so you can access its back and use the marks to locate a suitable mounting point for the furniture-side bracket. Make sure that the bracket is secured to a firm portion of the furniture frame and as high as possible. Remember: The furniture-side bracket must be positioned near a wall stud. Using a pencil, and the bracket as a guide, mark "screw marks" on the furniture item through the bracket holes.

Use a 3/32" drill bit to drill pilot holes into the furniture item at the "screw marks". Use the TWO Short screws to secure the furniture-side bracket. This bracket can be positioned either vertically or horizontal as necessary (See Figure 1).

**3) MOUNTING THE WALL-SIDE BRACKET:** Position the wall-side bracket along the selected stud mark so that it will be adjacent the furniture-side bracket when the furniture item is moved to its final position. The wall-side bracket should be about ONE inch lower than the furniture-side bracket (See Figure 3). Use the TWO Long screws to secure the wall-side bracket to the wall. Remember to position the wall-side bracket vertically so that both screws will engage the selected wall stud (See Figure 2).

**4) ATTACHING THE STRAP:** When both brackets are securely attached, move the furniture to its final desired position and thread the strap through the openings of each bracket and also through the ratcheting "buckle". Tighten the strap until several "clicks" are heard. The furniture item is now securely tethered to the wall.

Note: If you must move the furniture item, you can release the strap by depressing the lever arm located at its buckle and simultaneously withdrawing the strap from the buckle. Make sure to reconnect the strap once the furniture item is returned to its previous position.

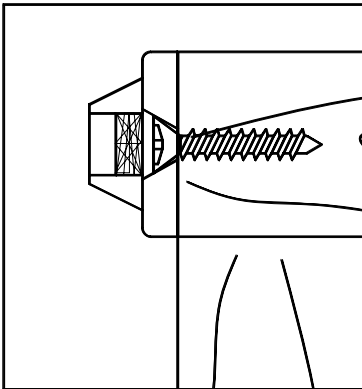


Figure 1

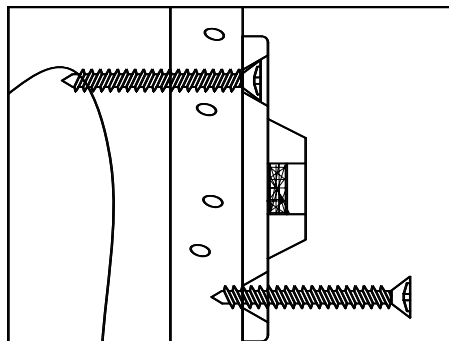


Figure 2

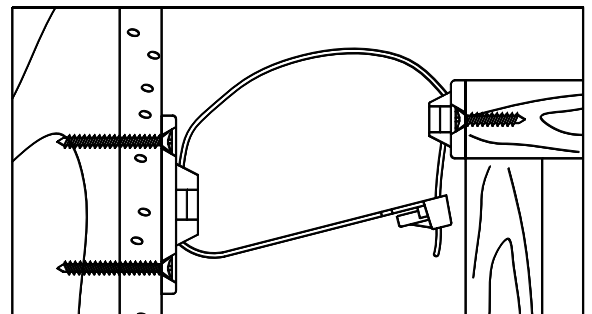


Figure 3