

# pottery barn kids

## CAMERON DESK

### IMPORTANT SAFETY INSTRUCTIONS:

Please read all instructions carefully before assembling.  
For your safety, assembly by two adults is recommended.

### PARTS INCLUDED:

- (1) Desk Top (A)
- (1) Drawer Piece (B)
- (2) Side Panel (C)
- (1) Stretcher (D)
- (1) Back Panel (E)
- (1) Keyboard Tray (F)

### HARDWARE ENCLOSED:

- (1) Allen Key (G)
- (12) ¼" x 30mm Allen Bolts (H)
- (12) ¼" Spring Washer (I)
- (12) ¼" Flat Washer (J)
- (12) 5/16" x 30mm Long Wood Screw (K)
- (18) ¼"x 12mm Short Wood Screws (M)

### TOOLS REQUIRED FOR ASSEMBLY:

- (1) Allen Key (Included)
- (1) Screw Driver (Not Included)

### PRE-ASSEMBLY:

- Remove all parts and hardware from the box and lay out on a clear carpeted or scratch-free work surface. (The shipping box provides an ideal work surface), this will avoid damaging any parts during assembly. Do not dispose of any contents until assembly is completed to avoid accidentally discarding small parts or hardware.
- Use the parts and hardware lists above to identify and separate each of the pieces included.
- The illustrations provided allow for easier assembly when used in conjunction with the assembly instructions.
- Note: Do not fully tighten all bolts until all parts are in place. Failure to follow these instructions may cause the bolts to misalign during assembly.
- If using power tools to aid in assembly please use caution. Power tools can damage hardware or split wood.

### ASSEMBLY INSTRUCTIONS:

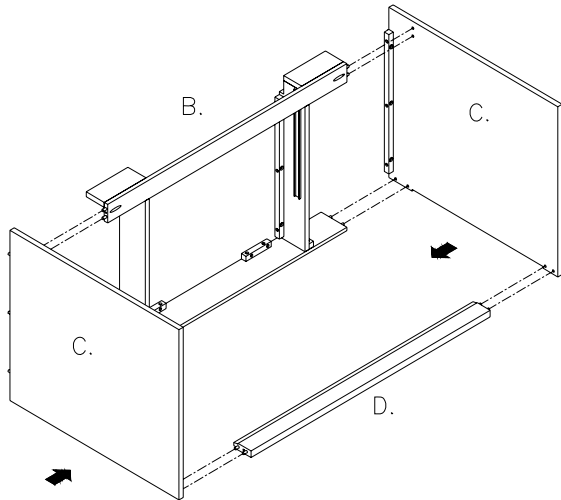
1. Carefully Drawer piece (B) upright as shown, lay Stretcher (D) on the floor and attach Side Panels (C) to both sides as shown.
2. Bring the assembled piece upright and place Desk Top (A) on using (12) Allen Bolts, Flat Washers & Spring Washers to secure and (4) Long Screws (K). Note: The correct order for the washers to go on the Allen Bolt is: Spring Washer first, Flat Washer second. Please see diagram.
3. Secure the Back Panel (E) using (18) Short Screw (M) as shown.
4. Secure Drawer piece with Side panel using (2) Long screw (K).
5. Secure stretcher with Side panel using remaining (6) Long Screw (K) as shown.
6. Place Keyboard Tray (F) into Drawer Piece as shown.

### CARE INSTRUCTIONS:

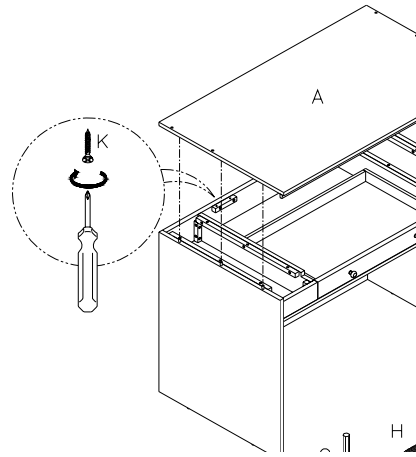
- Dust with a clean, soft cloth.
- Avoid the use of chemicals and harsh cleaning agents.
- Do not stand on the desk.

Thank you for your purchase.  
stores | catalog | [www.potterybarnkids.com](http://www.potterybarnkids.com)  
1.800.290.8181

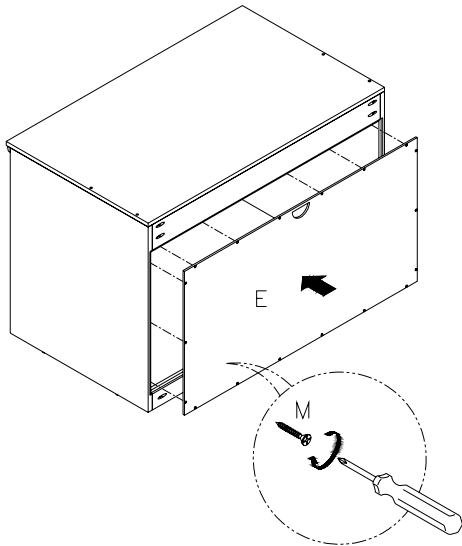
1.



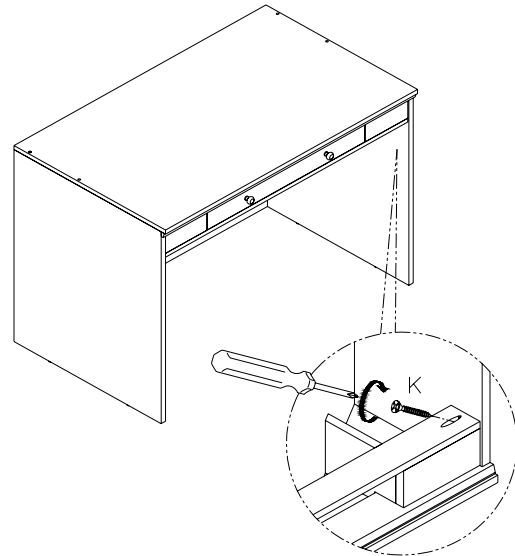
2.



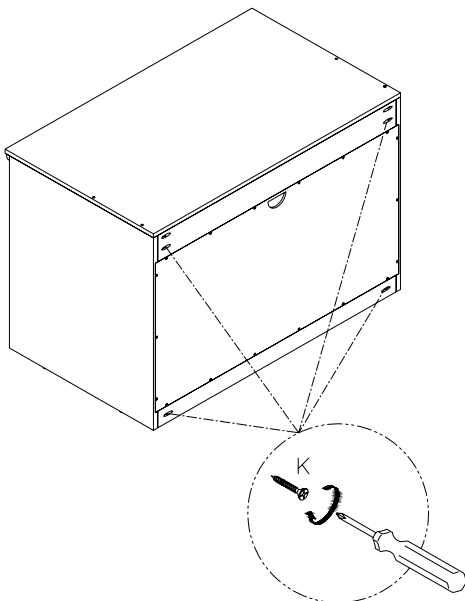
3.



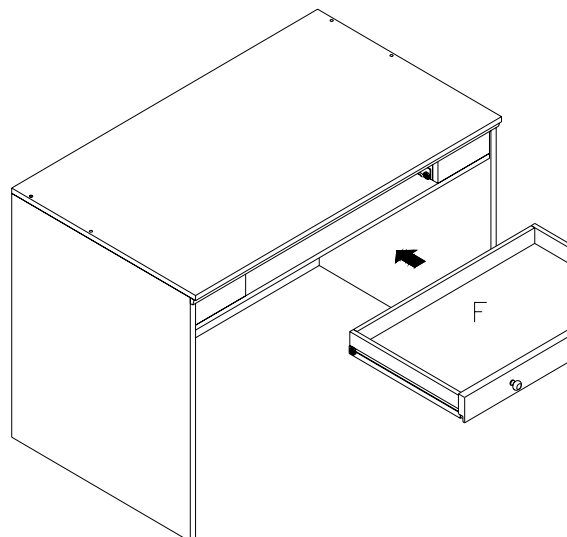
4.



5.



6.



# pottery barn kids

## CAMERON DESK HUTCH





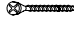


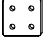
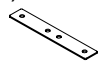
### IMPORTANT SAFETY INSTRUCTIONS:

Please read all instructions carefully before assembling.  
For your safety, assembly by two people is recommended.

#### PARTS INCLUDED:

- (1) Top Panel (A)
- (1) Shelf (B)
- (1) Left Side Panel (C-1)
- (1) Right Side Panel (C-2)
- (2) Center Partition (D)
- (1) Center Back Rail (E)
- (1) Top Back Rail (F)
- (1) Back Panel (G)

#### HARDWARE ENCLOSED:

- (1) Allen Key (P) 
- (4) 1/4" x 30mm Allen Bolts (H) 
- (4) 1/4" Spring Washer (I) 
- (4) 1/4" Flat Washer (J) 
- (8) 5/16" x 30mm Long Wood Screw (K) 
- (8) 1/4" x 20mm Medium Wood Screw (L) 
- (12) 1/4" x 12mm Short Wood Screws (M) 
- (1) Square Connecting Bracket (N) 
- (2) Long Connecting Bracket (O) 

#### TOOLS REQUIRED FOR ASSEMBLY:

- (1) Allen Key (Included)
- (1) Screw Driver (Not Included)

#### PRE-ASSEMBLY:

- Remove all parts and hardware from the box and lay out on a clear carpeted or scratch-free work surface. (The shipping box provides an ideal work surface), this will avoid damaging any parts during assembly. Do not dispose of any contents until assembly is completed to avoid accidentally discarding small parts or hardware.
- Use the parts and hardware lists above to identify and separate each of the pieces included. One extra knob is included for your convenience.
- The illustrations provided allow for easier assembly when used in conjunction with the assembly instructions.
- Note: Do not fully tighten all bolts until all parts are in place. Failure to follow these instructions may cause the bolts to misalign during assembly.
- If using power tools to aid in assembly please use caution. Power tools can damage hardware or split wood.

#### ASSEMBLY INSTRUCTIONS:

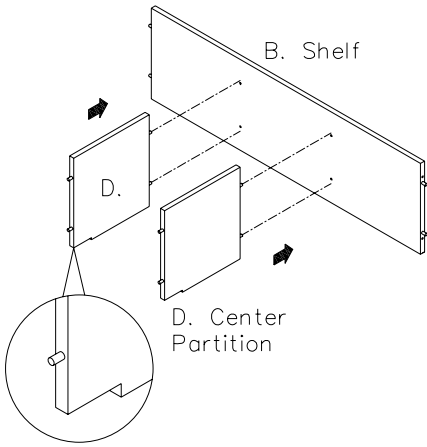
1. Carefully place Center Dividers (D) on Shelf (B).
2. Place on (1) Left Side Panel (C-1) together with Center Back Rail (E) and Top Back Rail (F) as shown.
3. Slid the Back Panel (G) into Center Back Rail (E) and Top Back Rail (F) as shown.
4. Attach another Right Side Panel (C-2) as shown.
5. Move the assembled piece upright then place Top Panel (A) using (4) Allen Bolts, Flat Washers & Spring Washers. Note: The correct order for the washers to go on the Allen Bolt is: Spring Washer first, Flat Washer second. Please see diagram.
6. Securing Bottom Panel by using (4) Long screws (K) and Center Divider by using (4) Medium screws (L).
7. Securing Back Panel with Center Divider using (4) Medium screws (L) and Stretchers with Side Panel using (4) Long screws (K).
8. Place the Hutch piece on the top of the Desk piece.
9. If connecting Hutch piece to Desk piece use (8) Short Screws (M) and (2) Long Connecting Brackets (O) as shown. Screws are self-drilling and are designed to go into wood easily.
10. If connecting Hutch piece to Wall System Cubby piece use (4) Screws (M) and (1) Square Connection (N) as shown.
11. Fully tighten all the screws and bolts.

#### CARE INSTRUCTIONS:

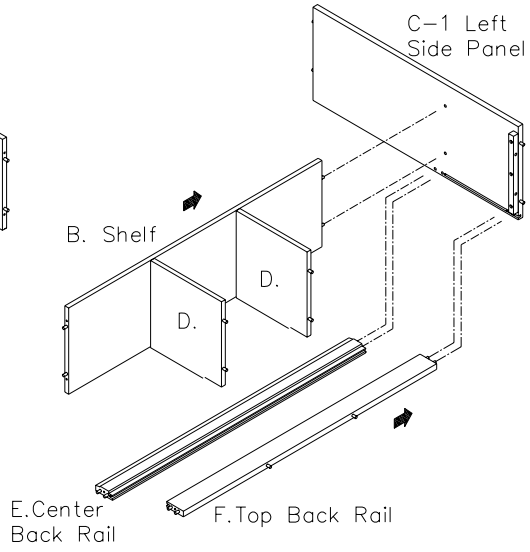
- Dust with a clean, soft cloth.
- Avoid the use of chemicals and harsh cleaning agents.

Thank you for your purchase.

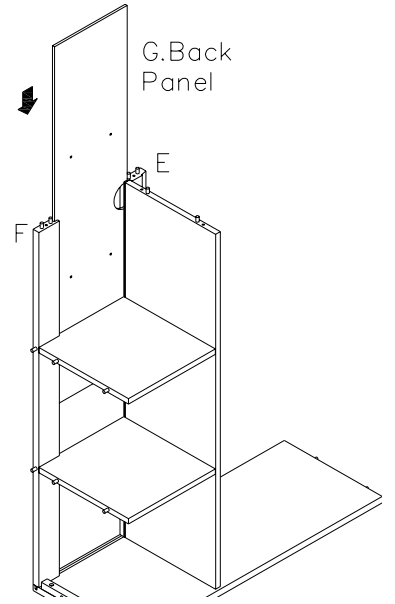
1.



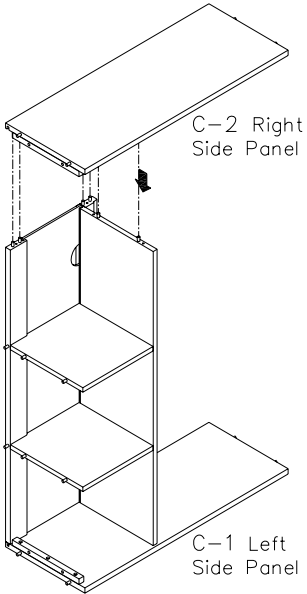
2.



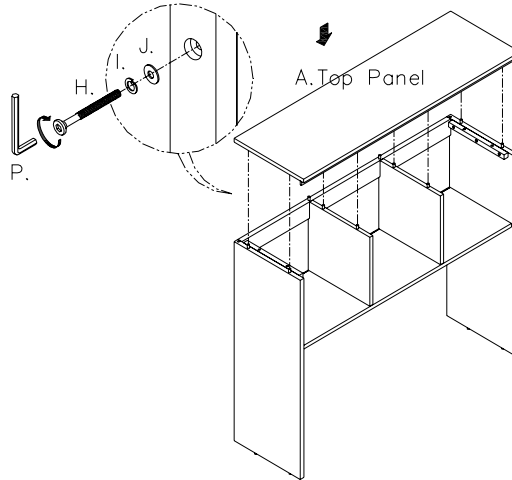
3.



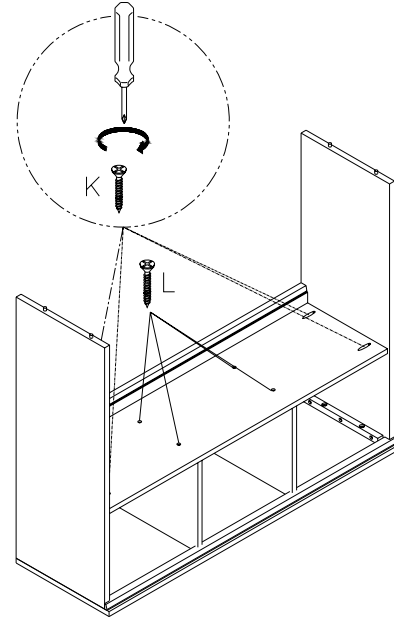
4.



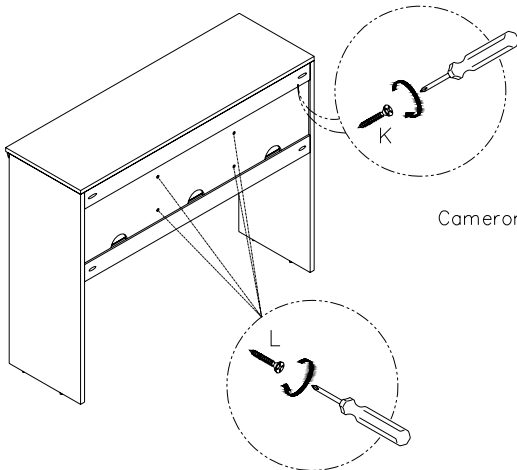
5.



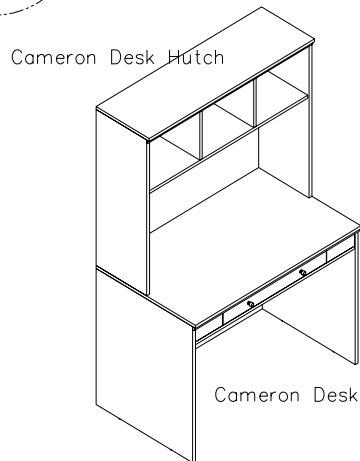
6.



7.



8.



9.

