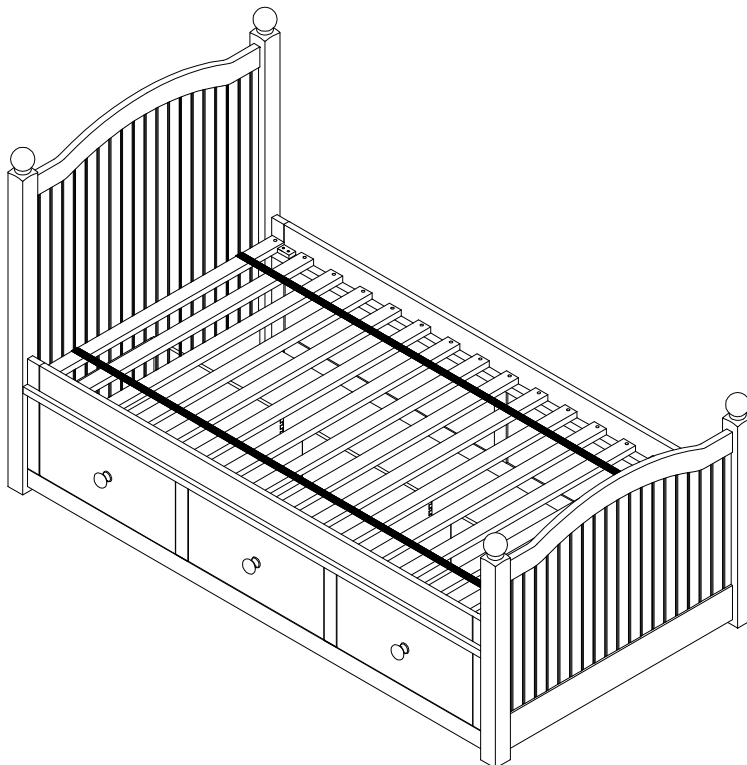


pottery barn kids CATALINA STORAGE BED

PRE-ASSEMBLY:

- Please read all instructions before beginning assembly.
- For your safety and ease, assembly by two adults is recommended.
- Remove all parts and hardware from box and lay out on a carpeted or scratch-free work surface, as this will avoid damaging any parts during assembly. The shipping box provides an ideal work surface.
- Do not dispose of any contents until assembly is completed to avoid accidentally discarding small parts or hardware.
- Use the parts and hardware lists to identify and separate each of the pieces included.
- Note: Do not fully tighten all bolts until all parts are in place. Failure to follow these instructions may cause the bolts to misalign during assembly.
- The use of power tools for assembly is not recommended. Power tools can damage hardware or split wood.



PARTS INCLUDED:

Headboard - 1 pc – A

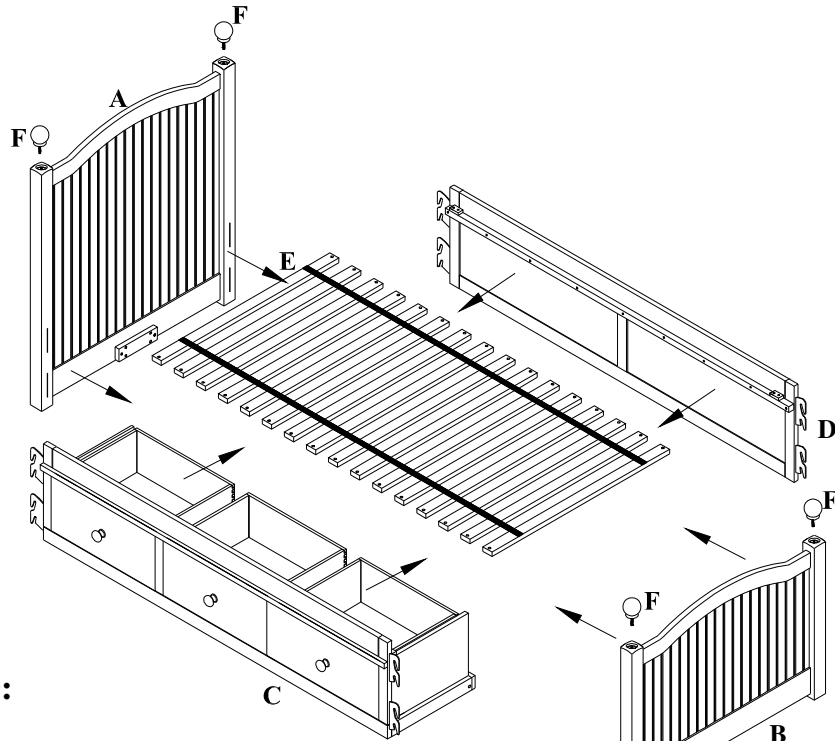
Footboard - 1 pc – B

Side rail with storage- 1 pc – C

Side rail – 1pc – D

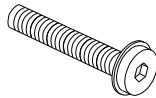
Slats roll – 1set – E

Finial – 4pcs - F



HARDWARE INCLUDED:

(G) M6 x 32 Bolts –2 pcs



(H) M6 Lock washers -2 pcs



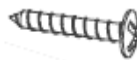
(K) M6 Flat washers – 2 pcs



(L) Allen key – 1 pc



(M) Ø8 x 25 mm- Screw - 32 pcs

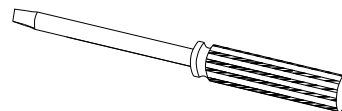


TOOL REQUIRED :

Phillips head screw driver (not included)

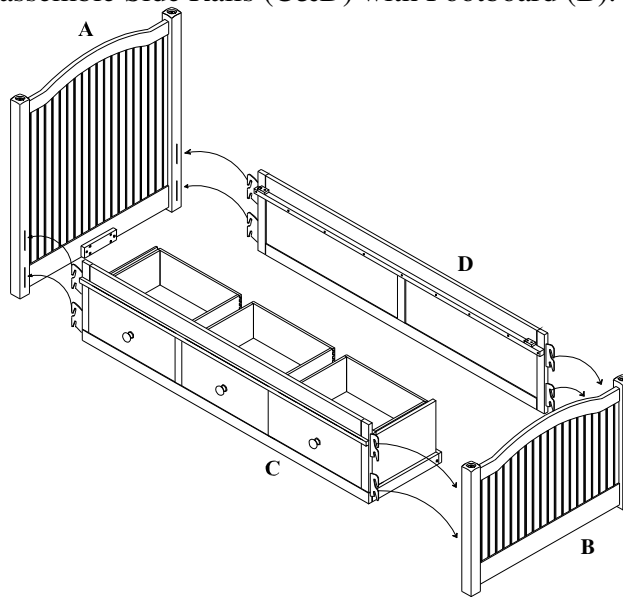


Flathead screw driver (not include)

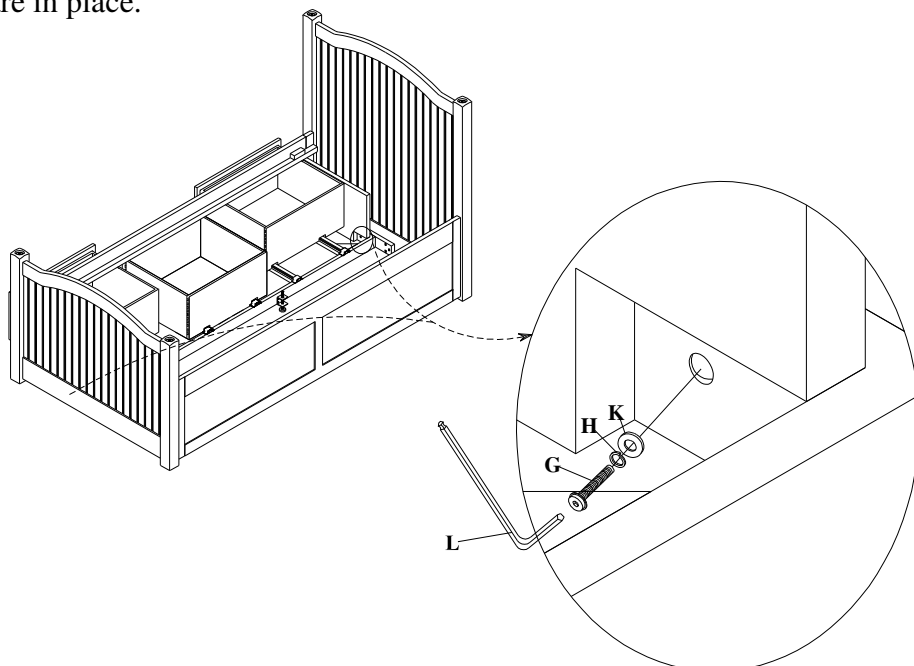


ASSEMBLY INSTRUCTIONS

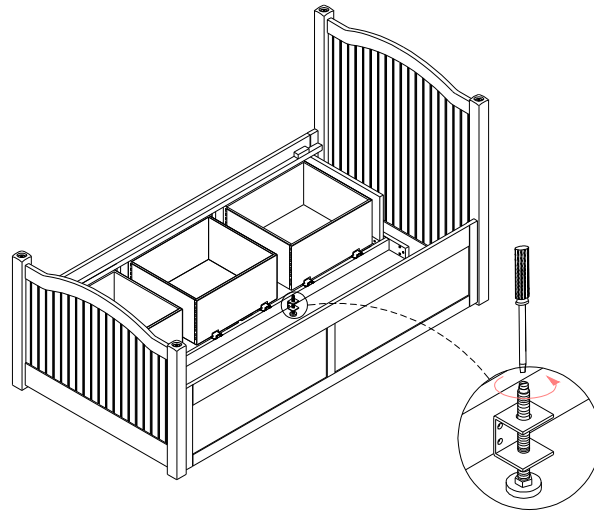
1. Pick desired location for the bed, then remove all furniture parts from it's package and put them on a carpeted scratched free surface. Hold Headboard (A) in a vertical position tilted slightly forward. Attach Side Rails (C&D) to Headboard (A) by inserting the hooked female hardware ends of the Side Rails (C&D) into slots in the Headboard (A) posts. Push down firmly on the top of the Side rail (C&D) until they seat themselves over the pins inside the legs slots as shown below. Be sure the small ledge on each Side Rails (C&D) is facing inward and the Side Rail without storage (C) is on your desired opening side for drawers.
2. Repeat above to assemble Side Rails (C&D) with Footboard (B).



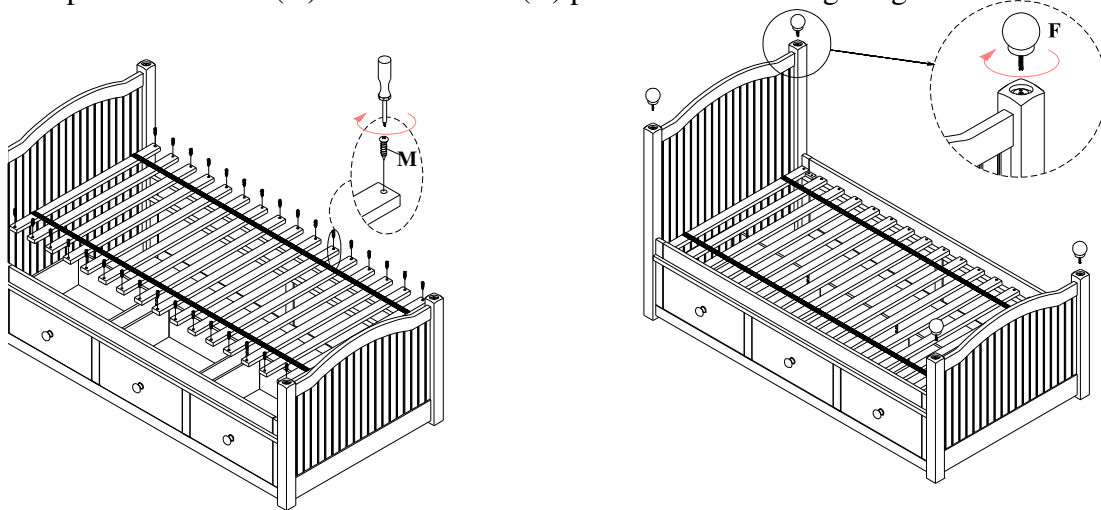
3. Assemble Side rail with Storage (C) to Headboard (A) and Footboard (B), with Lock washers (H), Flat washers (K) and Bolts (G). Tighten all bolts with Allen Key (L) till all of them are in place.



4. There is a center support leg behind middle drawer can be used to balance the drawers, adjust it with a flat head screw driver if needed.



5. Lay slats roll (E) onto inner ledge of Side Rails (C&D) and fasten with Screws (M) and Philipshead screw driver as shown in left figure. Insert Finials (F) into pre-drilled holes on top of Headboard (A) and Footboard (B) posts as shown in right figure.



CARE INSTRUCTION :

- Dust often using a clean, soft, dry lint-free cloth.
- Blot spills immediately, and wipe with a clean, damp, cloth.
- We do not recommend the use of chemical cleansers, abrasives or furniture polish.

Thank you for your purchase
stores | catalog | www.potterybarnkids.com
USA 1.800.290.8181